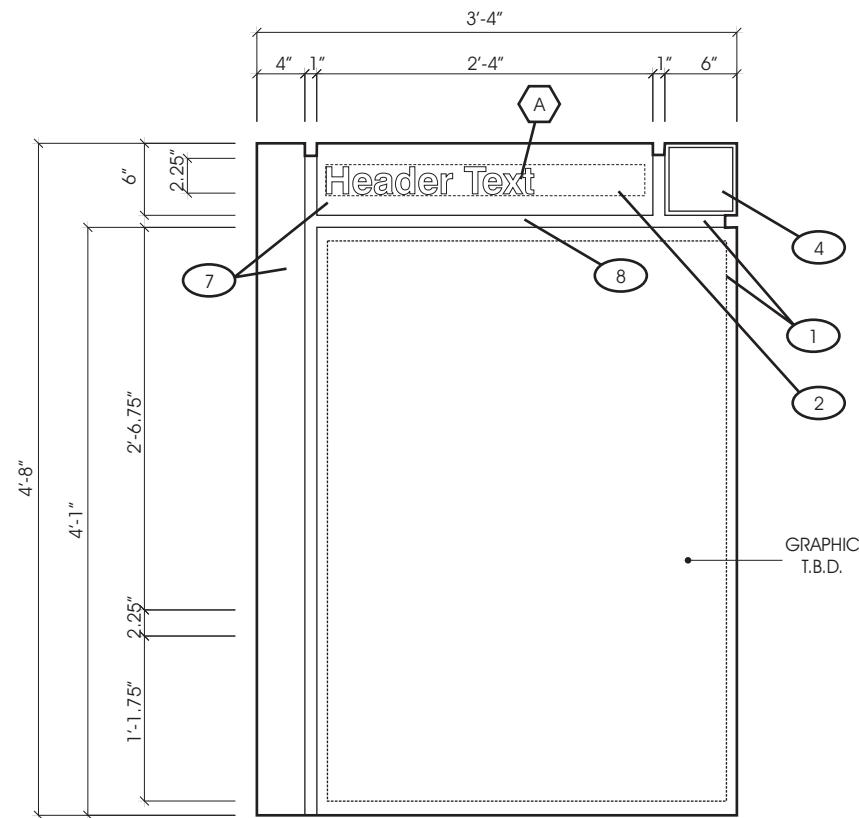
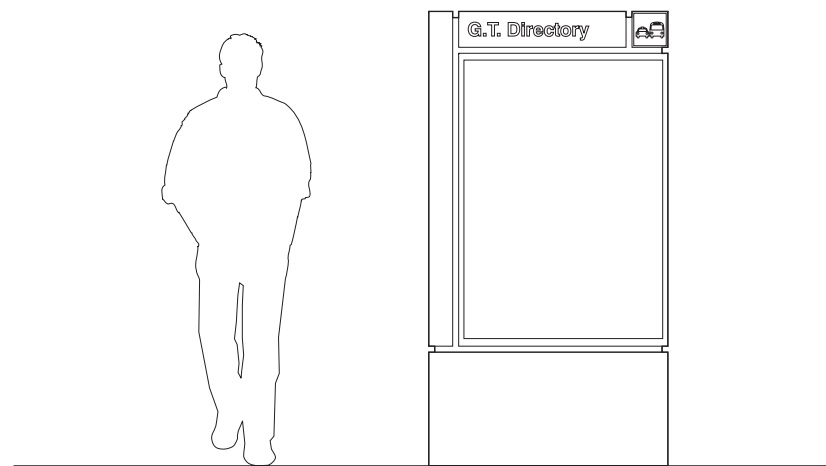


#	Revision	Date



SIGN FACE LAYOUT
Scale: 3/4"=1'-0"



ELEVATION (Exterior)
Scale: N.T.S.



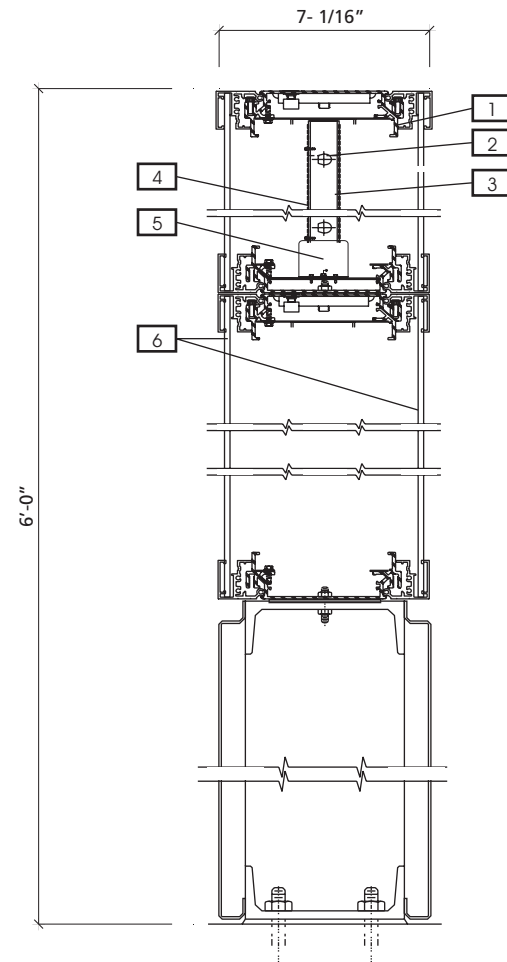
SIGN FACE LAYOUT - OPTION A



SIGN FACE LAYOUT - OPTION B



SIGN FACE LAYOUT - OPTION C



DETAIL (For Design Intent Only)
Scale: N.T.S.

Floor mount

ST - 281

DESCRIPTION: Ground Transportation Directory - Exterior.

LOCATION: Used at Curbside for pedestrian use outside main circulation path.

MATERIALS: Extruded aluminum sign face structure with removable face panel.

LETTERING:

- Ⓐ Swiss721 BT Bold
- Ⓑ N/A

SYMBOLGY: (Refer to Section 2.2.2)

COLORS:

- ① Background: 3M Opaque Film #7725-12 or approved equal (Black)
- ② Text: Diamond Grade VIP Reflective Film #3990 or approved equal (White)
- ③ Band: N/A
- ④ Symbol: Diamond Grade VIP Reflective Film #3990 or approved equal (White)
- ⑤ Letter: N/A
- ⑥ Letter box: N/A
- ⑦ Header/Side Panel:
 - Terminal A** 3M#230/230-127 (Intense Blue)
 - Terminal B** 3M#230/230-33 (Red)
 - Terminal C** 3M#230/230-26 (Green)
 - Terminal D** 3M#220-98 (Dark Violet)
- ⑧ Back panel: 3M Opaque Film (Dark Gray) # 7725-41

GRAPHICS: Final directory artwork by others.

ARROWS: N/A

MOUNTING: Floor mount.

ILLUMINATION: Sign will be Non Illuminated.

REMARKS: Refer to Section 2.5 for vinyl specifications.

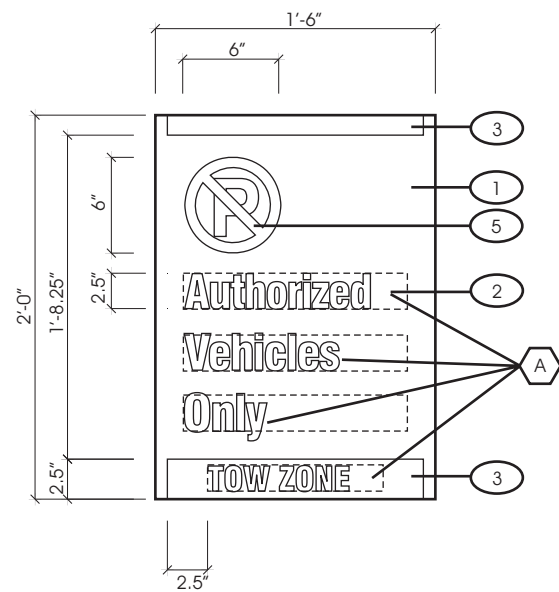
NOTES:

- 1 # 10-24 X 1/2" SS SCS hinge screw drill by 5/16" Dia. Use reference scoring 8" from ends typical
 - 2 D-Punch for floor sockets
 - 3 2" X 2" X 1/8" alum channel raceway, socket support welded to base plate mid. To frame w/ #8 X 1/2" SS TEK DP SMS
 - 4 040" alum formed raceway cover, socket Support
- Panduit ABM25-A-C cable tie pad in raceway with panduit PLIM-C ZIP TIE 1/8" WIDE x 7/8"
- 5 Ballast France 688 DR
 - 6 3/16" signwhite polycarb faces mounted w/ 3M 4930 VHB FT

Informational-Primary/Secondary 3.5.3



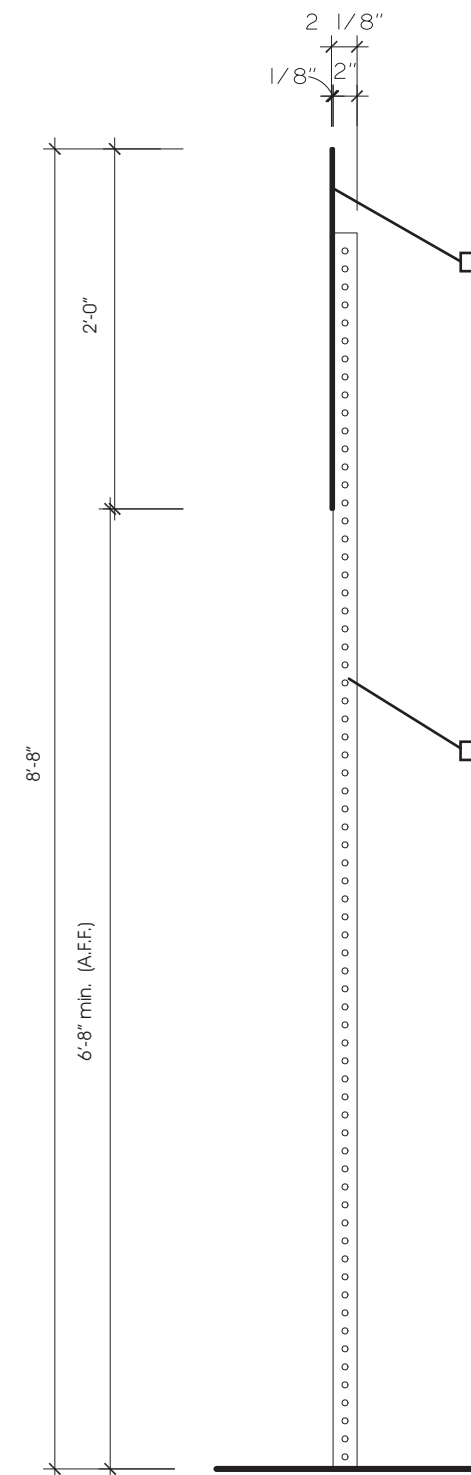
#	Revision	Date



SIGN FACE LAYOUT
Scale: 3/4"=1'-0"



ELEVATION (Exterior)
Scale: NTS



DETAIL - Side View (For Design Intent Only)
Scale: N.T.S.

Post Mount **ST - 282**

DESCRIPTION: Regulatory - Exterior.

LOCATION: Terminal Curbside (Departure) and Ground Transportation (Arrival) areas.

MATERIALS: Fabricated stainless steel panel.

LETTERING:

- Ⓐ Swiss721 BlkCn BT Bold
- Ⓑ Swiss721 BT
- Ⓒ N/A

SYMBOLGY: (Refer to Section 2.2.2)

COLORS:

- ① Background: 3M Opaque Film #7725-12 or approved equal (Black)
- ② Text: 3M Diamond Grade VIP Reflective Film # 3990 or approved equal (White)
- ③ Band: 3M Diamond Grade VIP Reflective Film # 3992 or approved equal (Red)
- ④ Rule Line: N/A
- ⑤ Symbol: 3M Diamond Grade VIP Reflective(or approved equal)
Blue: Film# 3995
Red: Film #3992
White: Film # 3990

GRAPHICS: N/A

ARROWS: N/A

MOUNTING: Post Mount.

ILLUMINATION: Sign will be Non Illuminated.

REMARKS: Refer to Section 2.5 for vinyl specifications.

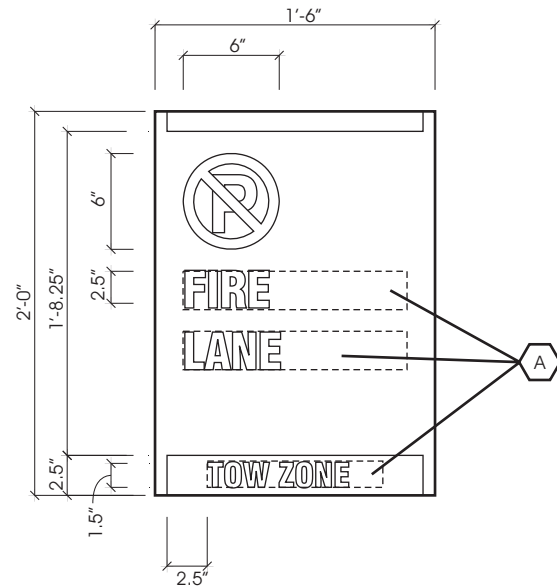
NOTES:

- 1 2" galvanized perforated square tube.
- 2 .125" aluminum sign face. Weld threaded stud on second surface. Bolt mount to pole.

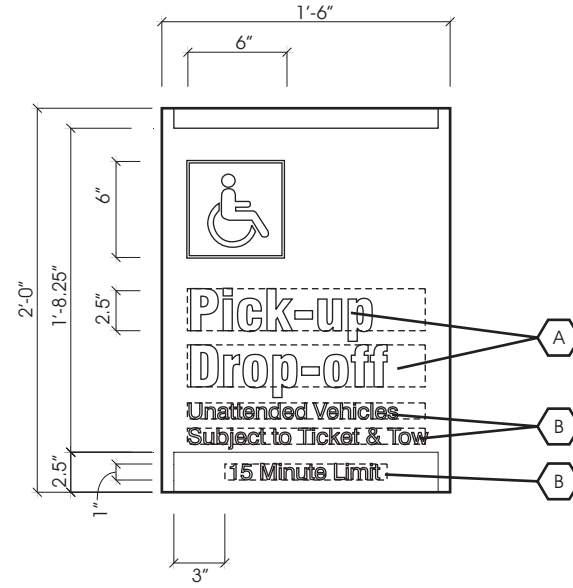
Informational - Primary /Secondary **3.5.3**



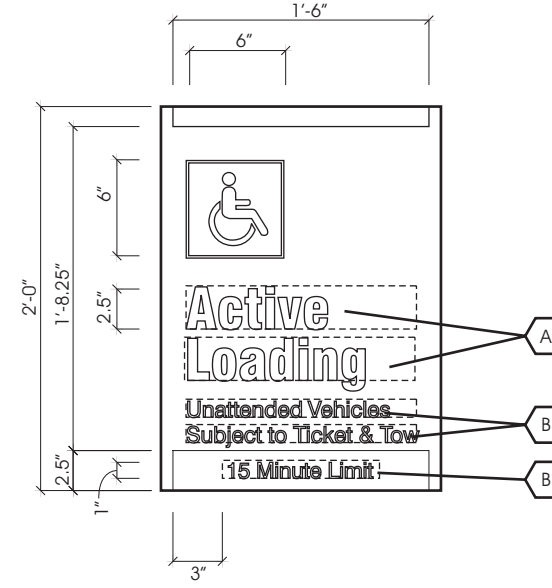
#	Revision	Date



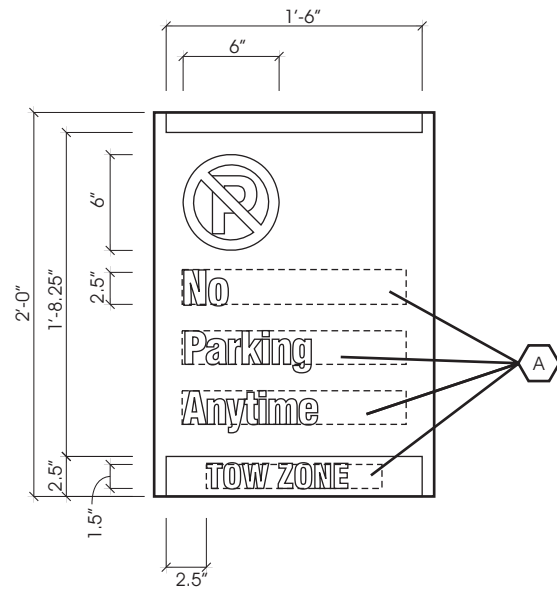
Alternative Sign Face Layout
Scale: 3/4" = 1'0"



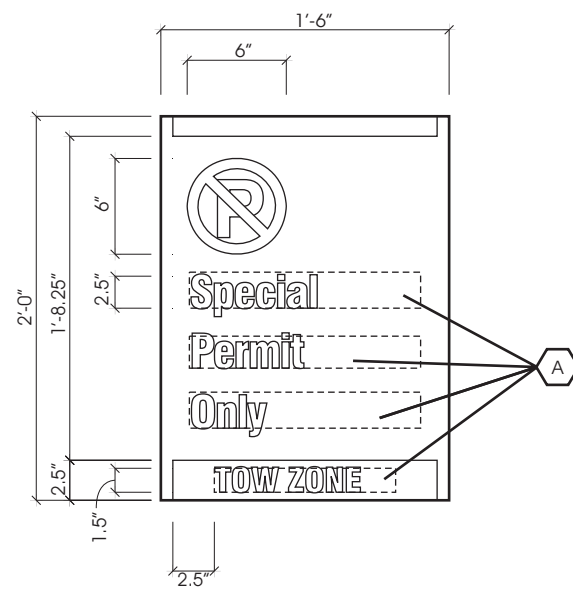
Alternative Sign Face Layout
Scale: 3/4" = 1'0"



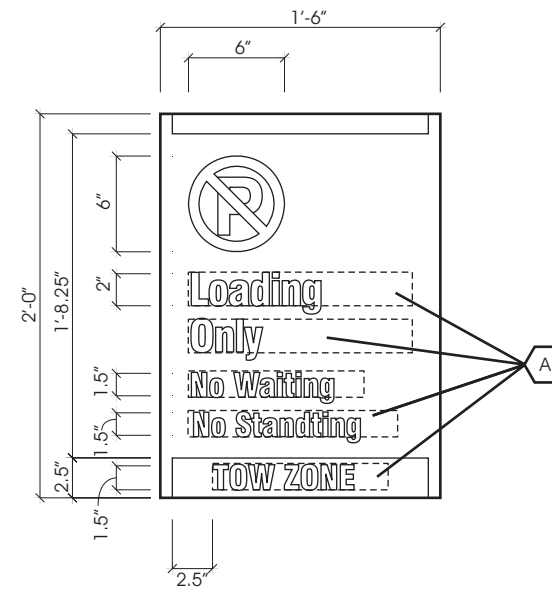
Alternative Sign Face Layout
Scale: 3/4" = 1'0"



Alternative Sign Face Layout
Scale: 3/4" = 1'0"



Alternative Sign Face Layout
Scale: 3/4" = 1'0"



Alternative Sign Face Layout
Scale: 3/4" = 1'0"

Post Mount

ST - 282

DESCRIPTION: Regulatory - Exterior.

LOCATION: Terminal Curbside (Departure) and Ground Transportation (Arrival) areas.

MATERIALS: Fabricated stainless steel panel, 3M Diamond Grade Reflective Vinyl text and Symbol.

LETTERING:

- Ⓐ Swiss721 BlkCn BT Bold
- Ⓑ Swiss721 BT
- Ⓒ N/A

SYMBOLGY: (Refer to Section 2.2.2)

COLORS:

- ① Background: 3M Opaque Film #7725-12 or approved equal (Black)
- ② Text: 3M Diamond Grade VIP Reflective Film # 3990 or approved equal (White)
- ③ Band: 3M Diamond Grade VIP Reflective Film # 3992 or approved equal (Red)
- ④ Rule line: N/A
- ⑤ Symbol: 3M Diamond Grade VIP Reflective(or approved equal)
Blue: Film# 3995
Red: Film #3992
White: Film # 3990

GRAPHICS: N/A

ARROWS: N/A

MOUNTING: Post Mount.

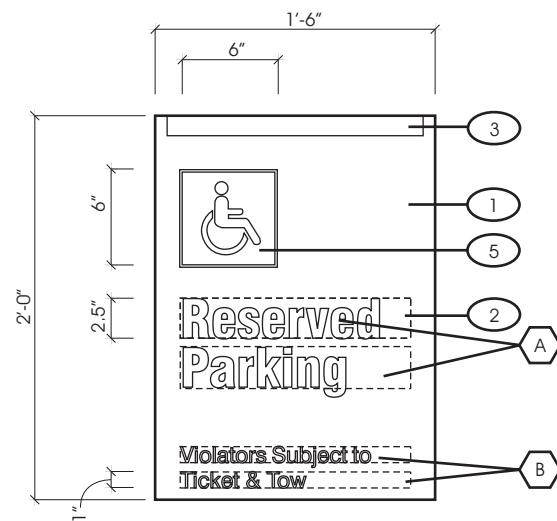
ILLUMINATION: Sign will be Non Illuminated.

REMARKS: Refer to Section 2.5 for vinyl specifications.

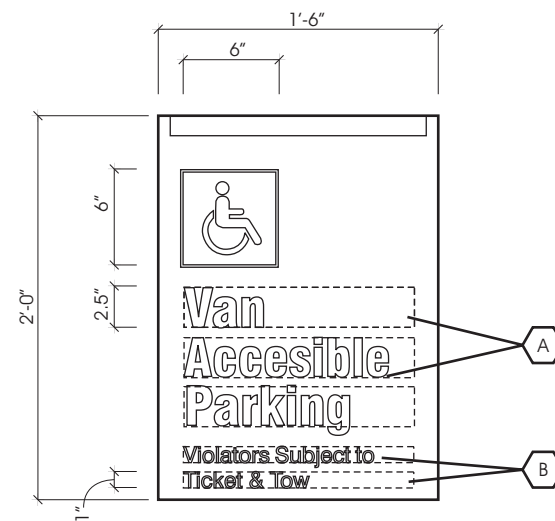
Informational - Primary /Secondary 3.5.3



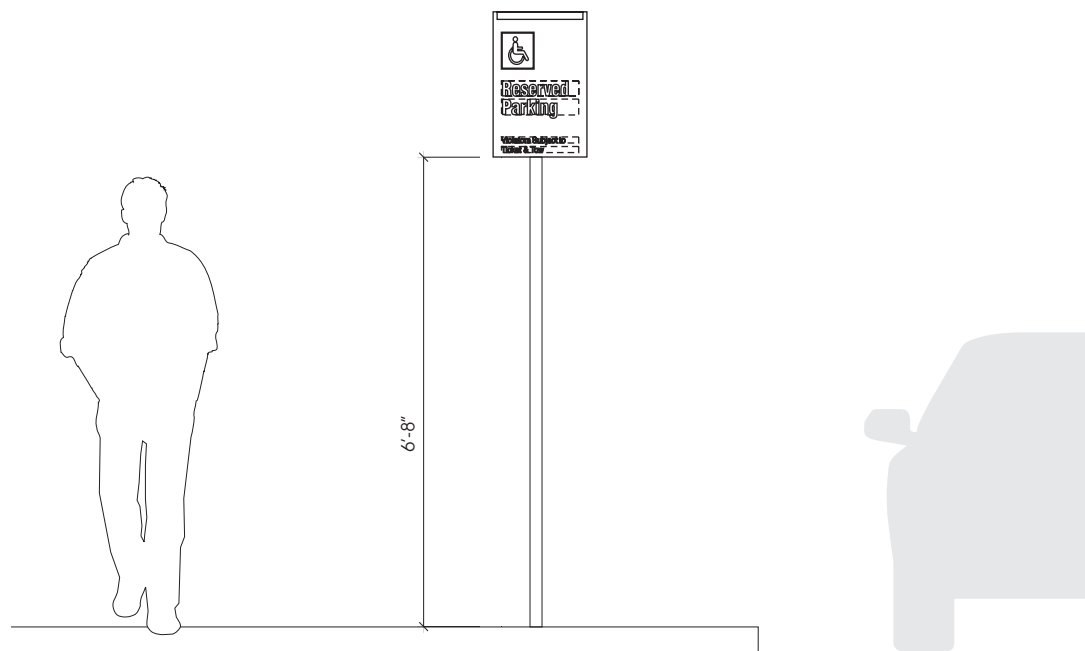
#	Revision	Date



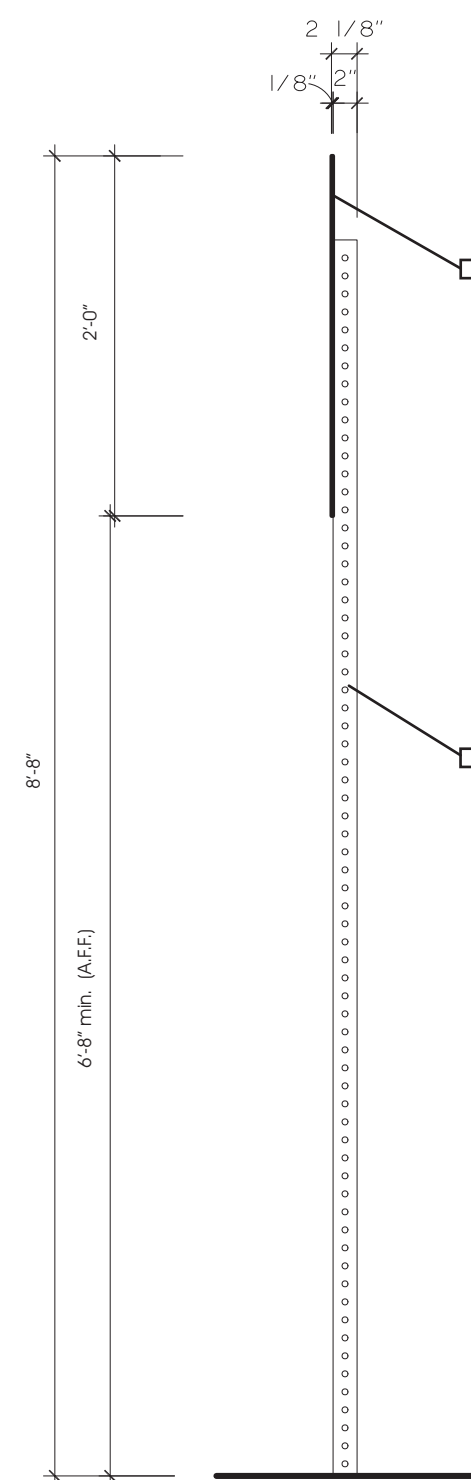
SIGN FACE LAYOUT
Scale: 3/4" = 1'-0"



Alternative Sign Face Layout
Scale: 3/4" = 1'-0"



ELEVATION (Exterior)
Scale: NTS



DETAIL - Side View (For Design Intent Only)
Scale: N.T.S.

Post Mount **ST - 283**

DESCRIPTION: Regulatory - Exterior.

LOCATION: Terminal Curbside (Departure) and Ground Transportation (Arrival) areas.

MATERIALS: Fabricated stainless steel panel, 3M Diamond Grade Reflective Vinyl text and Symbol.

LETTERING:

- Ⓐ Swiss721 BlkCn BT Bold
- Ⓑ Swiss721 BT
- Ⓒ N/A

SYMBOLGY: (Refer to Section 2.2.2)

COLORS:

- ① Background: 3M Opaque Film #7725-12 or approved equal (Black)
- ② Text: 3M Diamond Grade VIP Reflective Film # 3990 or approved equal (White)
- ③ Band: 3M Diamond Grade VIP Reflective Film # 3992 or approved equal (Red)
- ④ Rule line: N/A
- ⑤ Symbol: 3M Diamond Grade VIP Reflective(or approved equal)
Blue: Film# 3995
Red: Film #3992
White: Film # 3990

GRAPHICS: N/A

ARROWS: N/A

MOUNTING: Post Mount.

ILLUMINATION: Sign will be Nonilluminated.

REMARKS: Refer to Section 2.5 for vinyl specifications.

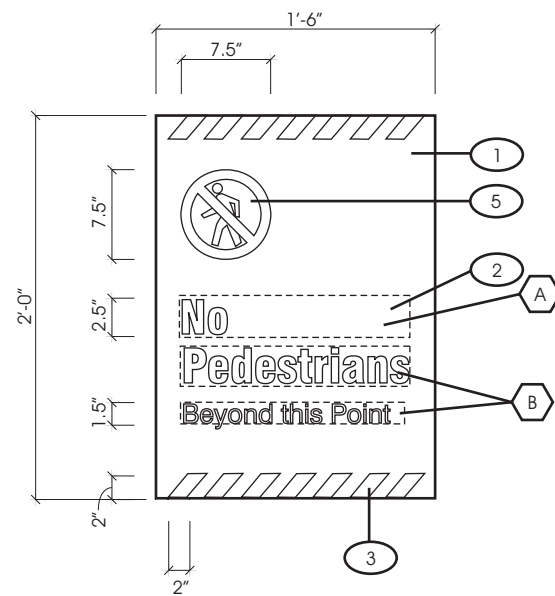
NOTES:

- 1 2" galvanized perforated square tube.
- 2 .125" aluminum sign face. Weld threaded stud on second surface. Bolt mount to pole.

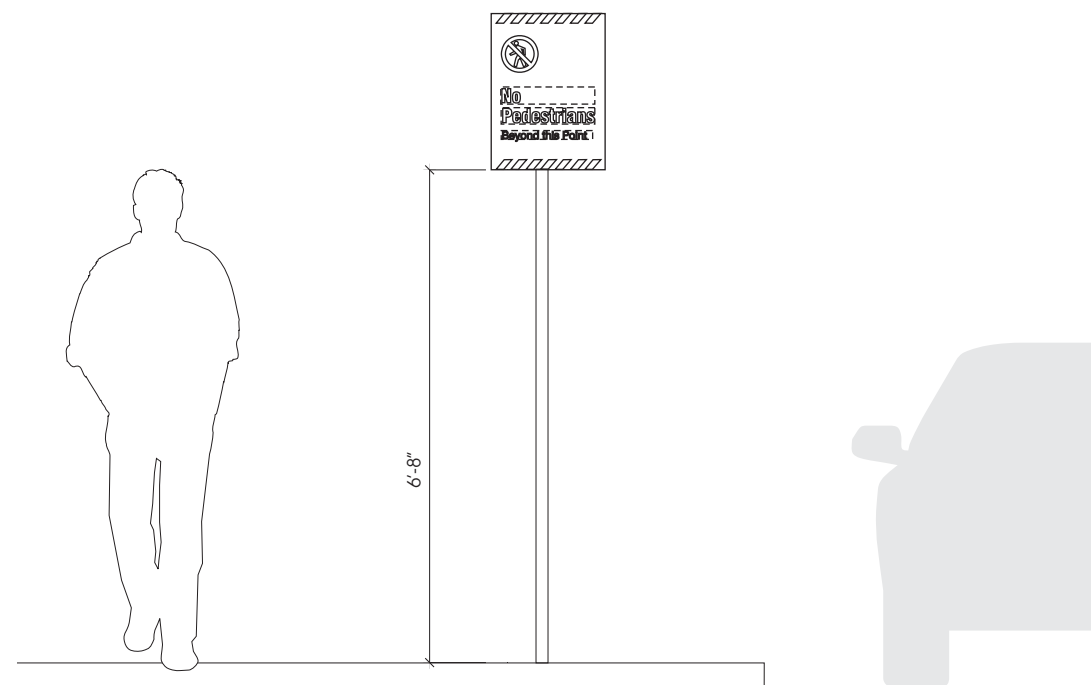
Informational - Primary /Secondary **3.5.3**



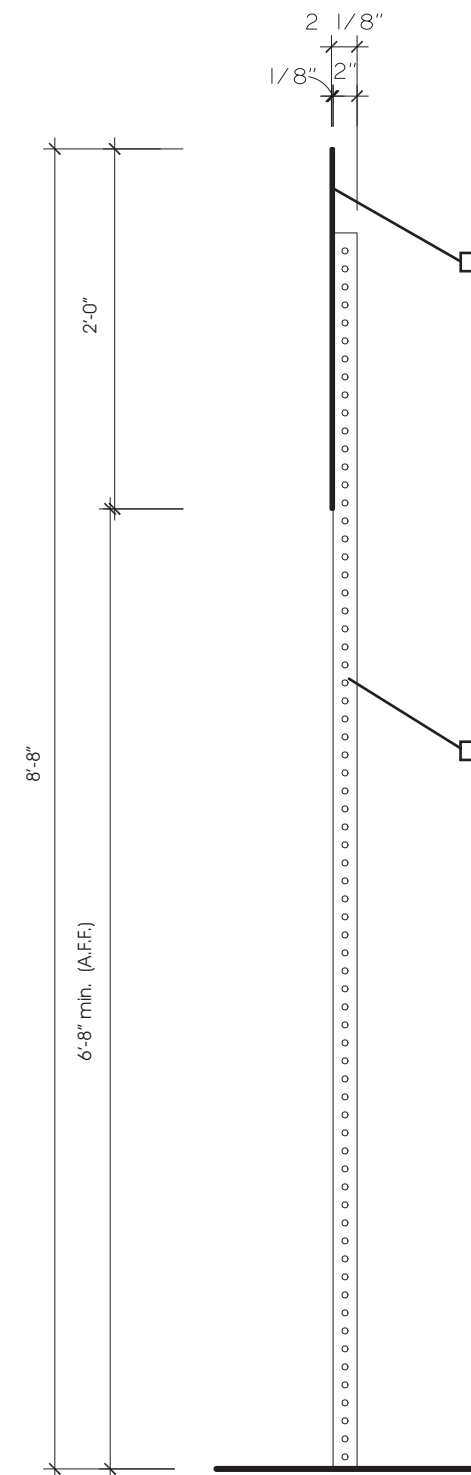
#	Revision	Date



SIGN FACE LAYOUT
Scale: 3/4"=1'-0"



ELEVATION (Exterior)
Scale: NTS



DETAIL - Side View (For Design Intent Only)
Scale: N.T.S.

Post Mount **ST - 284**

DESCRIPTION: Pedestrian Caution - Exterior.

LOCATION: Terminal Curbside (Departure) and Ground Transportation (Arrival) areas.

MATERIALS: Fabricated stainless steel panel, 3M Diamond Grade Reflective Vinyl text and Symbol.

LETTERING:

- Ⓐ Swiss721 BlkCn BT Bold
- Ⓑ Swiss721 BT
- Ⓒ N/A

SYMBOLGY: (Refer to Section 2.2.2)

COLORS:

- ① Background: 3M Opaque Film #7725-12 or approved equal (Black)
- ② Text: 3M Diamond Grade VIP Reflective Film # 3990 or approved equal (White)
- ③ Band: 3M Diamond Grade VIP Reflective Film # 3991 or approved equal (Yellow)
- ④ Rule line: N/A
- ⑤ Symbol: 3M Diamond Grade VIP Reflective(or approved equal)
Blue: Film# 3995
Red: Film #3992
White: Film # 3990

GRAPHICS: N/A

ARROWS: N/A

MOUNTING: Post Mounted.

ILLUMINATION: Sign will be Non Illuminated.

REMARKS: Refer to Section 2.5 for vinyl specifications.

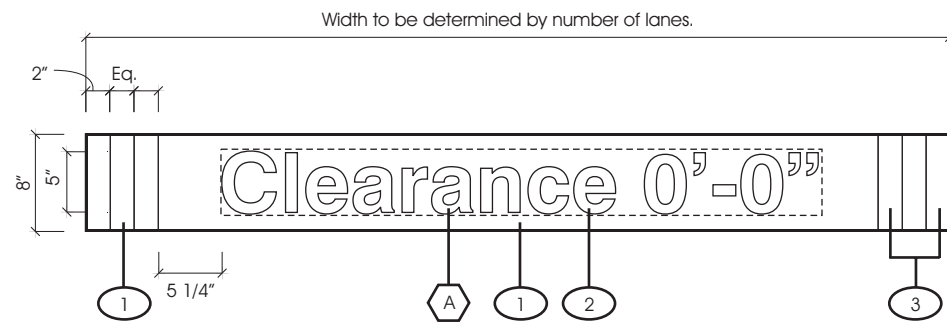
NOTES:

- 1 2" galvanized perforated square tube.
- 2 .125" aluminum sign face. Weld threaded stud on second surface. Bolt mount to pole.

Informational - Primary /Secondary **3.5.3**

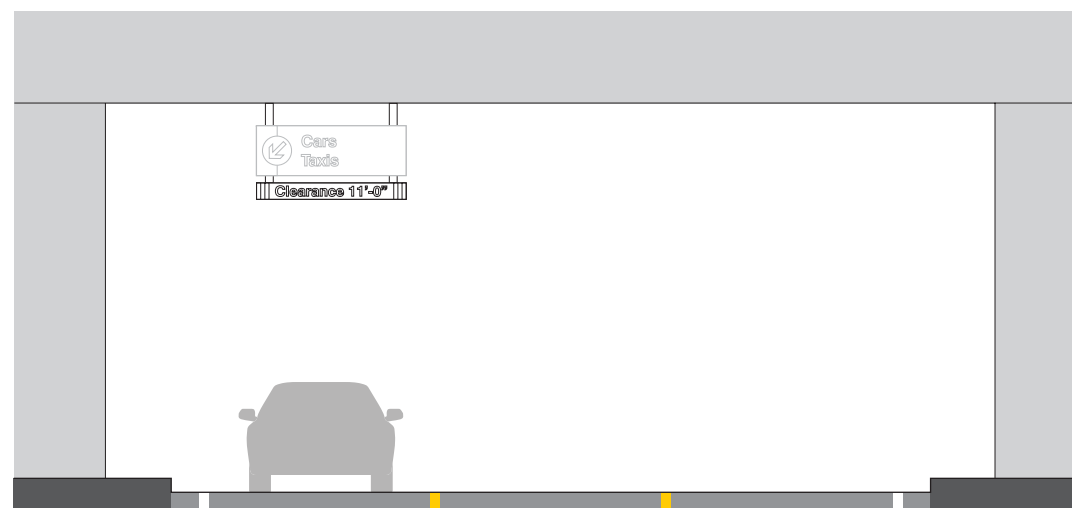


#	Revision	Date



SIGN FACE LAYOUT

Scale: 3/4"=1'-0"



ELEVATION (Exterior)

Scale: NTS

Ceiling Suspended

ST - 285

DESCRIPTION: Vehicular Clearance ID - Exterior.

LOCATION: Used at curbside as approaching from the roadways to delineate height clearance for vehicular traffic.

MATERIALS: Fabricated stainless steel panel.

LETTERING:

- Ⓐ Swiss721 BT Bold
- Ⓑ N/A
- Ⓒ N/A

SYMBOLGY: (Refer to Section 2.2.2)

COLORS:

- ① Background: 3M Solid Yellow Film #981-71 (or approved equal)
- ② Text: 3M Opaque Film #7725-12 or approved equal (Black)
- ③ Band: 3M Opaque Film #7725-12 or approved equal (Black)
- ④ Symbol: N/A
- ⑤ Arrow: N/A
- ⑥ Header/Side Panel:
 - Terminal A 3M#230/230-127 (Intense Blue)
 - Terminal B 3M#230/230-33 (Red)
 - Terminal C 3M#230/230-26 (Green)
 - Terminal D 3M#220-98 (Dark Violet)
- ⑦ Arrow Circle: N/A
- ⑧ Back panel: N/A
- ⑨ Text: N/A

GRAPHICS: N/A

ARROWS: N/A

MOUNTING: Ceiling Suspended

ILLUMINATION: Sign will be Non Illuminated.

REMARKS: Refer to Section 2.5 for vinyl specifications.

Informational - Primary /Secondary 3.5.3

