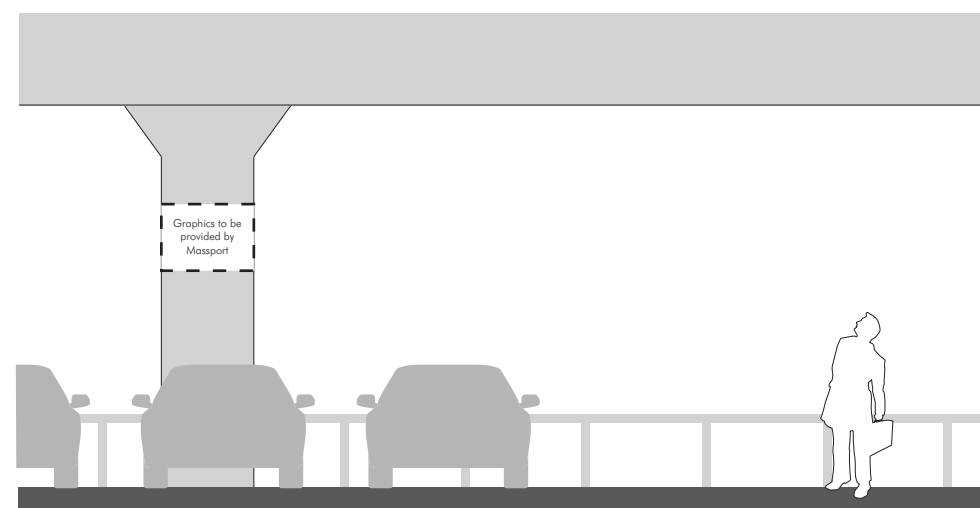


#	Revision	Date

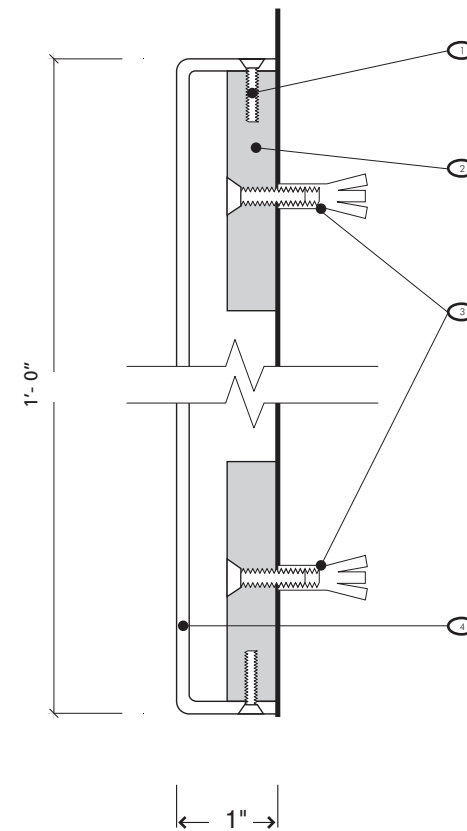


• Note: Use sign types L1 and L2 from the Central Parking Garage and Expansion MPA Project # L219-C3 date March 31, 2004.

SIGN FACE LAYOUT
Scale: NTS



ELEVATION
Scale: N.T.S.



DETAIL
Scale: N.T.S.

Wall Mount - Identification ST - 351

DESCRIPTION: Aisle ID Panels

LOCATION: Used on column panels on levels 1-6

MATERIALS: Fabricated stainless steel panel with vinyl graphics.

LETTERING:
 N/A
 N/A

SYMBOLGY: N/A

COLORS: N/A

GRAPHICS: Graphics to be provided by Massport.

ARROWS: N/A

MOUNTING: Wall Mounted.

ILLUMINATION: Sign will be Non Illuminated.

REMARKS: Refer to Section 2.5 for vinyl specifications

NOTES:

- ① Counter sunk tamper-proof screw connection between panel and PVC strips as needed.
- ② 1/2" PVC mounting block mounted to wall or with brackets to light poles
- ③ Fasteners vary for surface wall connections.
- ④ Porcelain Enamel bonded by fusion to Stainless Steel.

Identification Signs - Vehicular 3.5.1



#	Revision	Date



• Note: Use sign type L3 from the Central Parking Garage and Expansion MPA Project # L219-C3 date March 31, 2004.

Post Mount - Identification ST - 352

DESCRIPTION: Aisle ID Panels

LOCATION: Used on column panels on roof level.

MATERIALS: Fabricated stainless steel panel with vinyl graphics.

LETTERING:
 N/A
 N/A

SYMBOLGY: N/A

COLORS: N/A

GRAPHICS: Graphics to be provided by Massport.

ARROWS: N/A

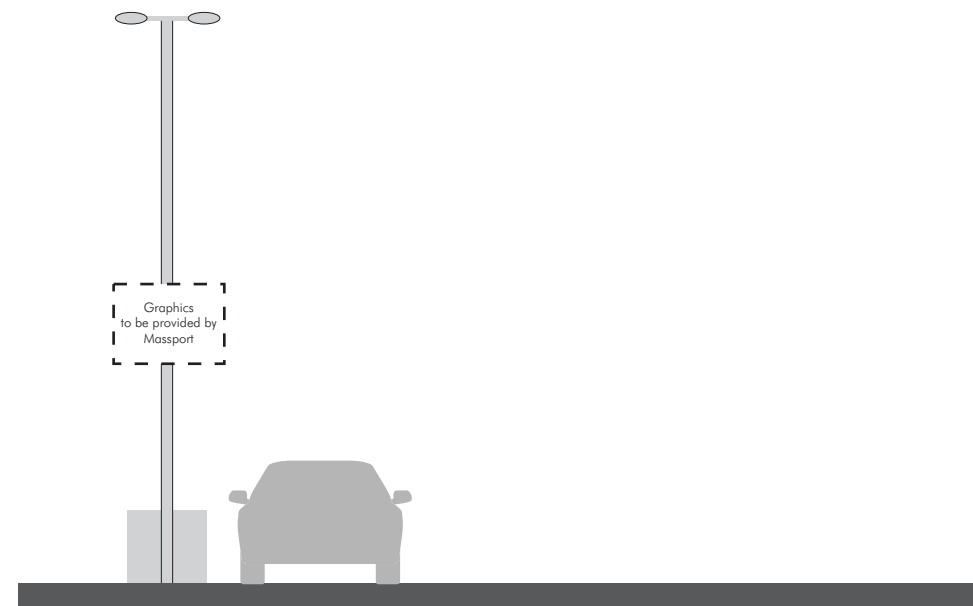
MOUNTING: Post Mounted.

ILLUMINATION: Sign will be Non Illuminated.

REMARKS: Refer to Section 2.5 for vinyl specifications

SIGN FACE LAYOUT

Scale: NTS



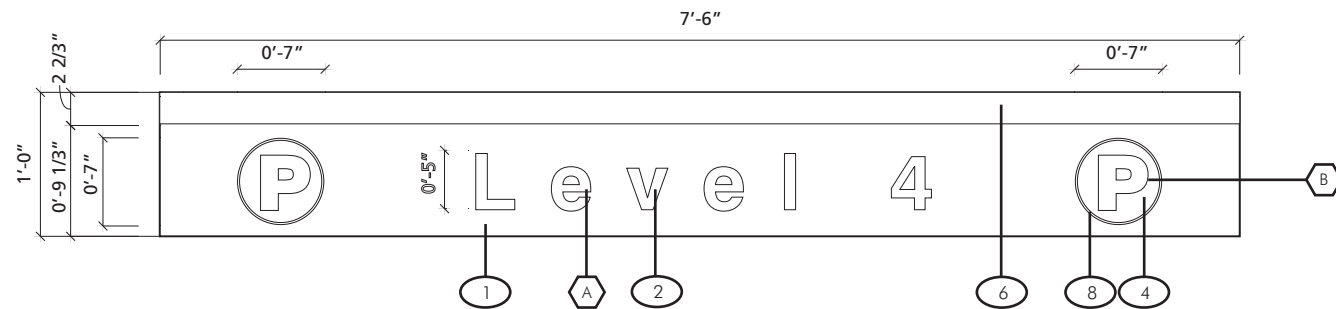
ELEVATION

Scale: N.T.S.

Identification Signs - Vehicular 3.5.1

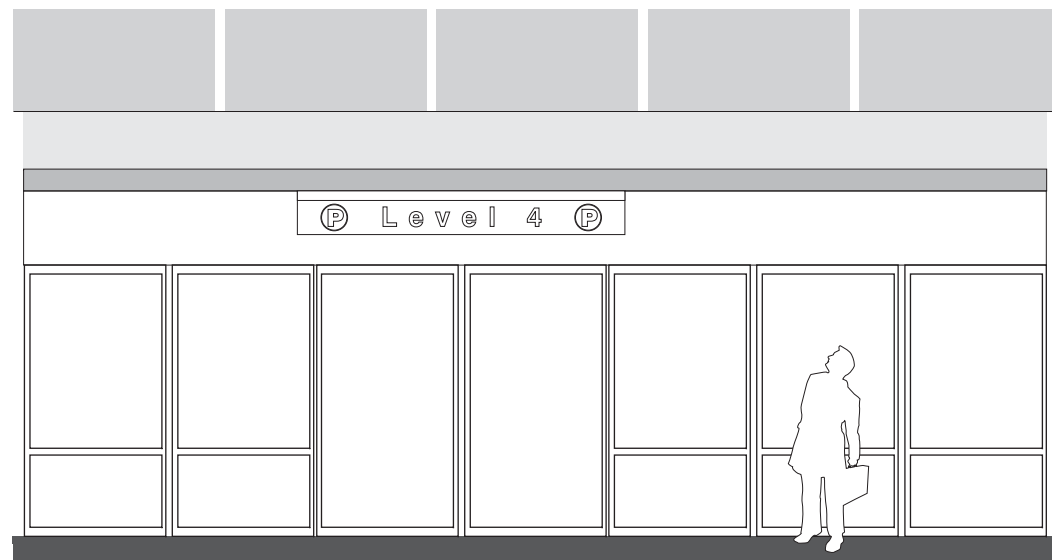


#	Revision	Date



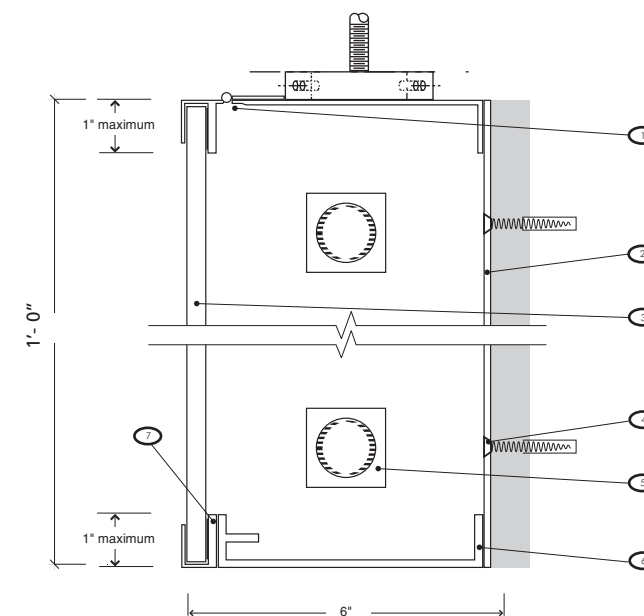
SIGN FACE LAYOUT

Scale: 3/4" = 1'-0"



ELEVATION

Scale: N.T.S.



DETAIL

Scale: N.T.S.

Overhead - Identification ST - 355

DESCRIPTION: Level ID

LOCATION: Used overhead and above doorways to denote level identification.

MATERIALS: Extruded aluminum sign face structure with removable face panel.

LETTERING:
 A Swiss721 BT Bold
 B Swiss721 Blk BT

SYMBOLGY: Refer to Section 2.2.2

- COLORS:
- 1 Background: 3M Opaque Film #7725-12 or approved equal (Black)
 - 2 Text: Translucent Acrylic (White)
 - 3 Band: Translucent Acrylic (White)
 - 4 Symbol: Translucent Acrylic (White)
 - 5 Arrow: Translucent Acrylic (White)
 - 6 Terminal I.D:
 Terminal A 3M#230/230-127 (Intense Blue)
 Terminal B 3M#230/230-33 (Red)
 Terminal C 3M#230/230-26 (Green)
 Terminal D 3M#220-98 (Dark Violet)
 - 7 Arrow circle: 3M Opaque Film (dark Gray) # 7725-41
 - 8 Parking P 3M Vivid Blue Film # 220-17

GRAPHICS: N/A

ARROWS: N/A

MOUNTING: Ceiling Mounted.

ILLUMINATION: Sign will be Internally Illuminated.

REMARKS: Refer to Section 2.5 for vinyl specifications

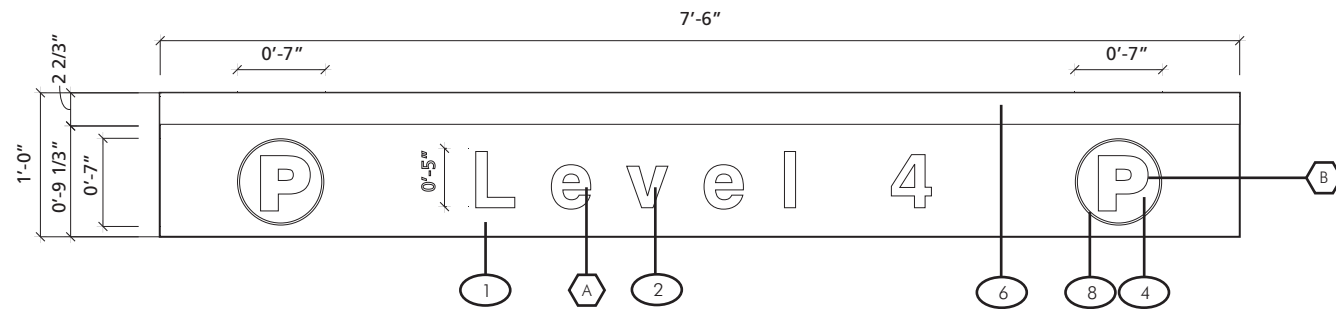
NOTES:

- 1 Extruded Aluminum box section with continuous length of hinge along top edge. Provide flashing gasket and/or trim as needed to make weather tight case for extreme exterior conditions.
- 2 Back panel - Aluminum with welded corners ground smooth.
- 3 3/8" thick milk White polycarbonate.
- 4 Fasteners as needed to secure to various exterior wall conditions.
- 5 Fluorescent lamps T12 3500 K at intervals needed for even illumination across graphic panels.
- 6 Aluminum channel frame.
- 7 Magnetic catch at bottom and sides as needed.

Identification Signs - Pedestrian 3.5.1

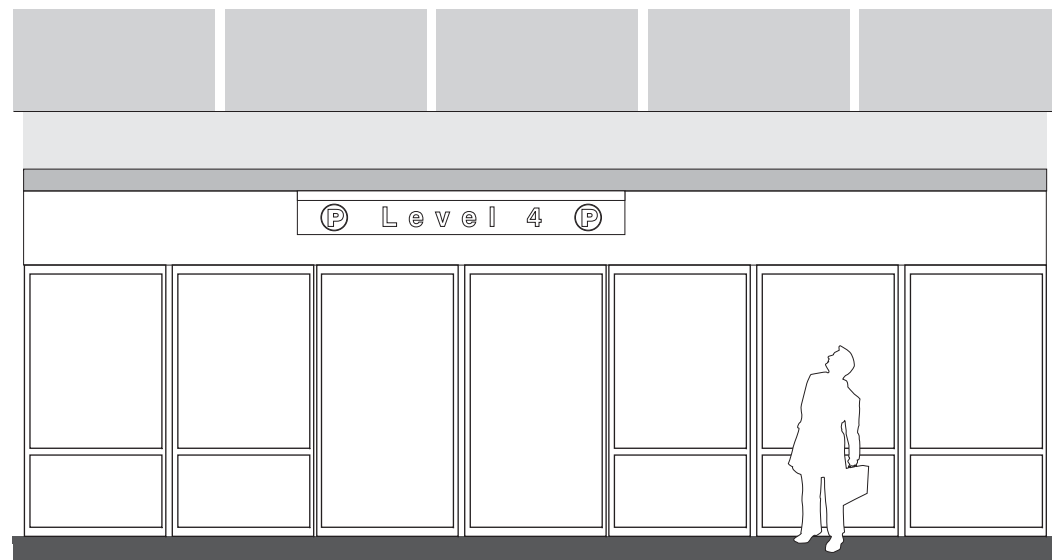


#	Revision	Date



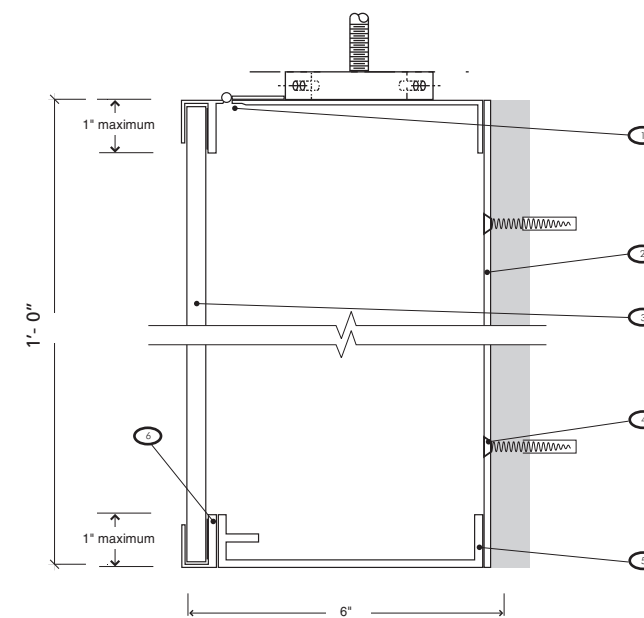
SIGN FACE LAYOUT

Scale: 3/4" = 1'-0"



ELEVATION

Scale: N.T.S.



DETAIL

Scale: N.T.S.

Overhead - Identification ST - 356

DESCRIPTION: Level ID

LOCATION: Used overhead and above doorways to denote level identification.

MATERIALS: Extruded aluminum sign face structure with removable face panel.

LETTERING:
 A Swiss721 BT Bold
 B Swiss721 Blk BT

SYMBOLGY: Refer to Section 2.2.2

- COLORS:
- 1 Background: 3M Opaque Film #7725-12 or approved equal (Black)
 - 2 Text: 3M Opaque Film #220-10 or approved equal (White)
 - 3 Band: 3M Opaque Film #220-10 or approved equal (White)
 - 4 Symbol: 3M Opaque Film #220-10 or approved equal (White)
 - 5 Arrow: 3M Opaque Film #220-10 or approved equal (White)
 - 6 Terminal I.D.:
 Terminal A 3M#230/230-127 (Intense Blue)
 Terminal B 3M#230/230-33 (Red)
 Terminal C 3M#230/230-26 (Green)
 Terminal D 3M#220-98 (Dark Violet)
 - 7 Arrow circle: 3M Opaque Film (dark Gray) # 7725-41
 - 8 Parking P 3M Vivid Blue Film # 220-17

GRAPHICS: N/A

ARROWS: N/A

MOUNTING: Ceiling Mounted.

ILLUMINATION: Sign will be Non Illuminated.

REMARKS: Refer to Section 2.5 for vinyl specifications

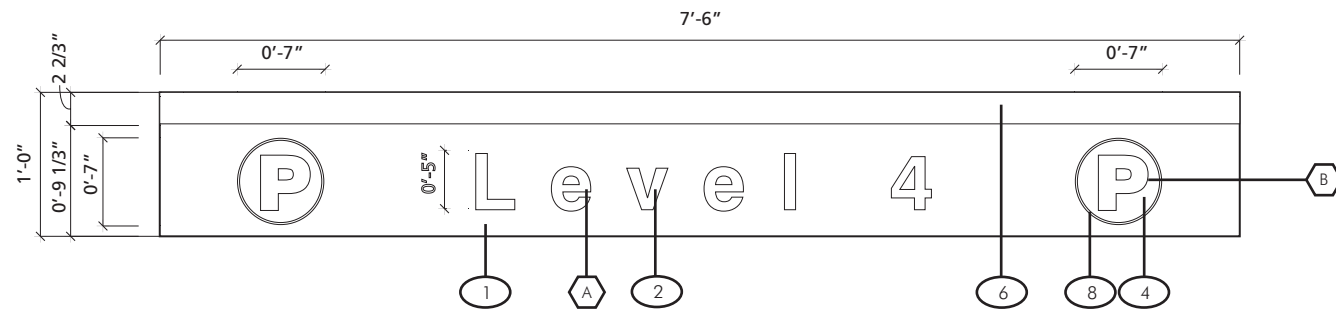
NOTES:

- 1 Extruded Aluminum box section with continuous length of hinge along top edge. Provide flashing gasket and/or trim as needed to make weather tight case for extreme exterior conditions.
- 2 Back panel - Aluminum with welded corners ground smooth.
- 3 3/8" thick milk White polycarbonate.
- 4 Fasteners as needed to secure to various exterior wall conditions.
- 5 Aluminum channel frame.
- 6 Magnetic catch at bottom and sides as needed.

Identification Signs - Pedestrian 3.5.1

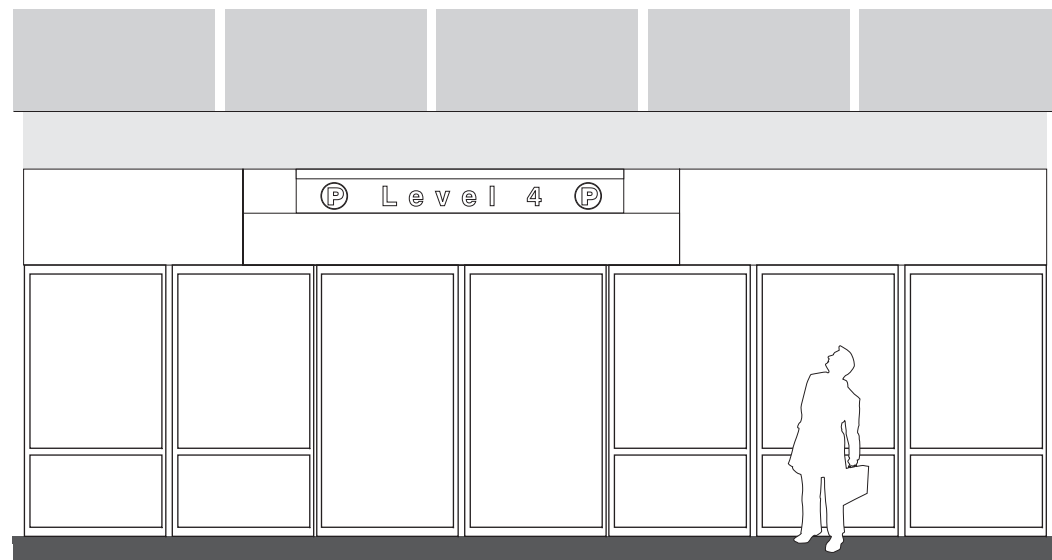


#	Revision	Date



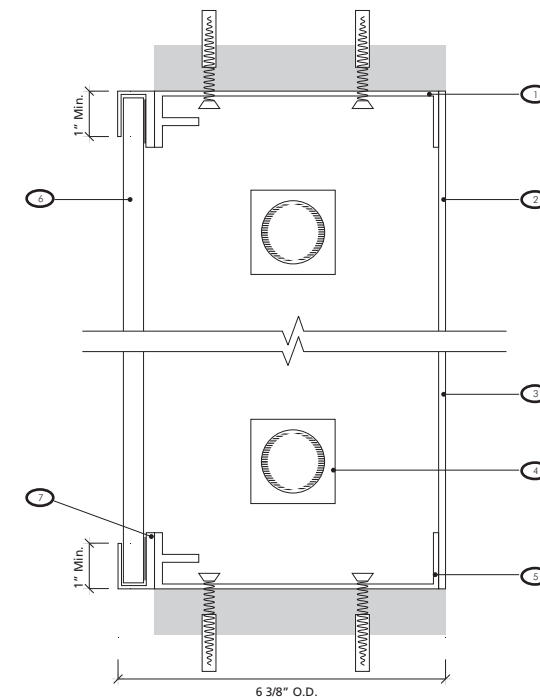
SIGN FACE LAYOUT

Scale: 3/4" = 1'-0"



ELEVATION

Scale: N.T.S.



DETAIL

Scale: N.T.S.

Overhead - Identification ST - 360

DESCRIPTION: Level ID

LOCATION: Used overhead and above doorways to denote level identification.

MATERIALS: Extruded aluminum sign face structure with removable face panel.

LETTERING:
 A Swiss721 BT Bold
 B Swiss721 Condensed BT Bold

SYMBOLGY: Refer to Section 2.2.2

- COLORS:
- 1 Background: 3M Opaque Film #7725-12 or approved equal (Black)
 - 2 Text: Translucent Acrylic (White)
 - 3 Band: Translucent Acrylic (White)
 - 4 Symbol: Translucent Acrylic (White)
 - 5 Arrow: Translucent Acrylic (White)
 - 6 Terminal I.D.:
 Terminal A 3M#230/230-127 (Intense Blue)
 Terminal B 3M#230/230-33 (Red)
 Terminal C 3M#230/230-26 (Green)
 Terminal D 3M#220-98 (Dark Violet)
 - 7 Arrow circle: 3M Opaque Film (dark Gray) #7725-41
 - 8 Parking P 3M Vivid Blue Film # 220-17

GRAPHICS: N/A

ARROWS: N/A

MOUNTING: Soffit Mounted.

ILLUMINATION: Sign will be Internally Illuminated.

REMARKS: Refer to Section 2.5 for vinyl specifications

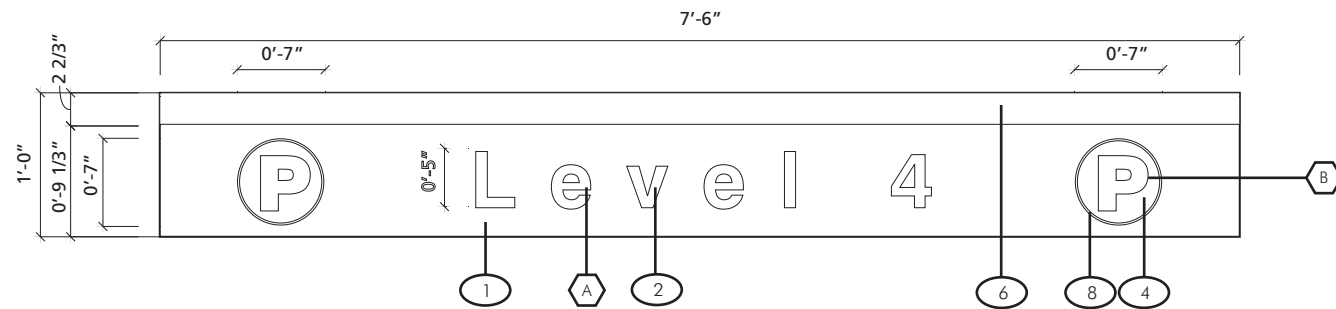
NOTES:

- 1 Extruded Aluminum box section with continuous length of hinge along top edge. Provide flashing gasket and/or trim as needed to make weather tight case for extreme exterior conditions.
- 2 Back panel - Aluminum with welded corners ground smooth.
- 3 3/8" thick milk White polycarbonate.
- 4 Fasteners as needed to secure to various exterior wall conditions.
- 5 Fluorescent lamps T12 3500 K at intervals needed for even illumination across graphic panels.
- 6 Aluminum channel frame.
- 7 Magnetic catch at bottom and sides as needed.

Identification Signs - Pedestrian 3.5.1

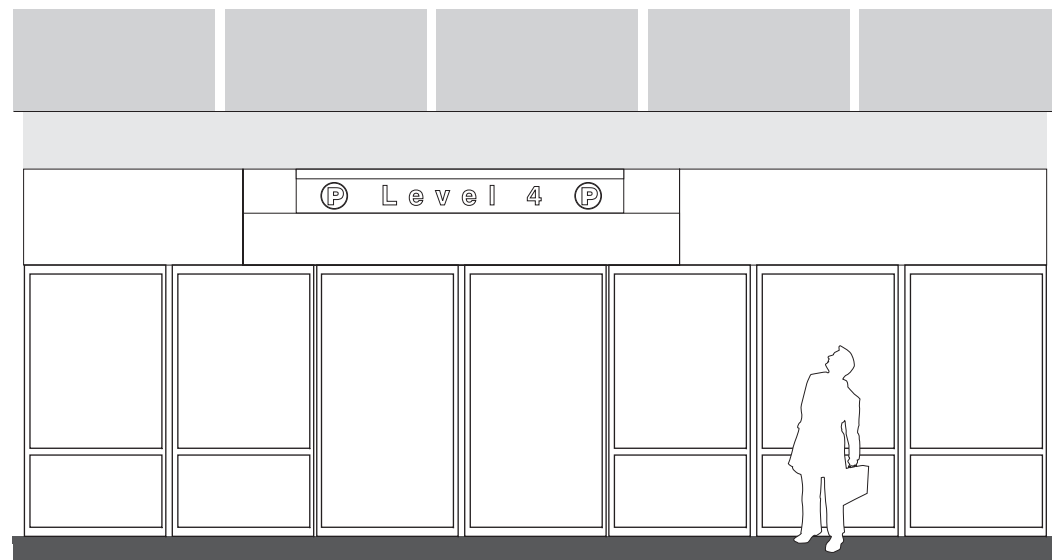


#	Revision	Date



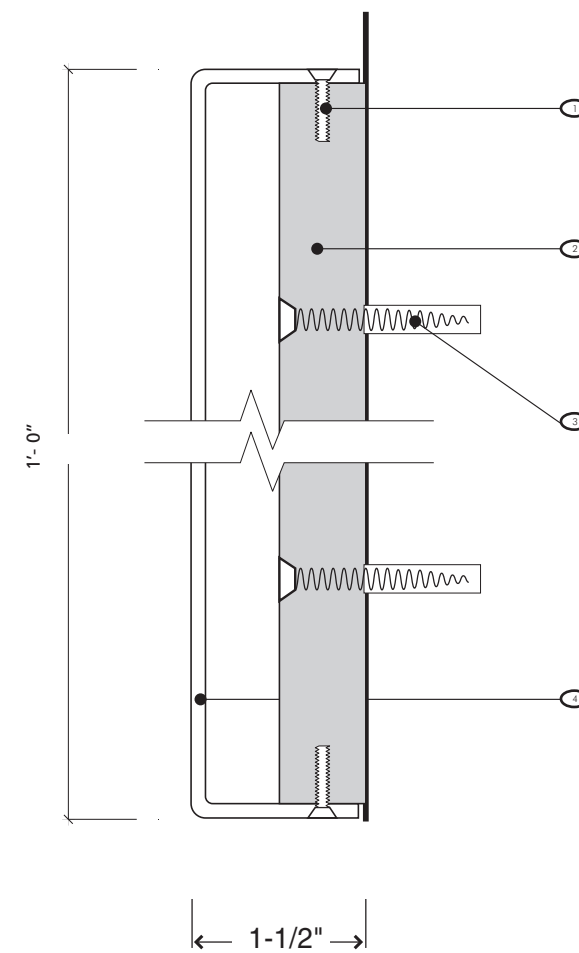
SIGN FACE LAYOUT

Scale: 1/6" = 1'-0"



ELEVATION

Scale: N.T.S.



DETAIL

Scale: N.T.S.

Overhead - Identification ST - 361

DESCRIPTION: Level ID

LOCATION: Used overhead and above doorways to denote level identification.

MATERIALS: Extruded aluminum sign face structure with removable face panel.

LETTERING:
 A Swiss721 BT Bold
 B Swiss721 Blk BT

SYMBOLGY: Refer to Section 2.2.2

- COLORS:
- 1 Background: 3M Opaque Film #7725-12 or approved equal (Black)
 - 2 Text: 3M Opaque Film #220-10 or approved equal (White)
 - 3 Band: 3M Opaque Film #220-10 or approved equal (White)
 - 4 Symbol: 3M Opaque Film #220-10 or approved equal (White)
 - 5 Arrow: 3M Opaque Film #220-10 or approved equal (White)
 - 6 Terminal I.D:
 Terminal A 3M#230/230-127 (Intense Blue)
 Terminal B 3M#230/230-33 (Red)
 Terminal C 3M#230/230-26 (Green)
 Terminal D 3M#220-98 (Dark Violet)
 - 7 Arrow circle: 3M Opaque Film (dark Gray) #7725-41
 - 8 Parking P 3M Vivid Blue Film #220-17

GRAPHICS: N/A

ARROWS: N/A

MOUNTING: Soffit Mounted.

ILLUMINATION: Sign will be Non Illuminated.

REMARKS: Refer to Section 2.5 for vinyl specifications

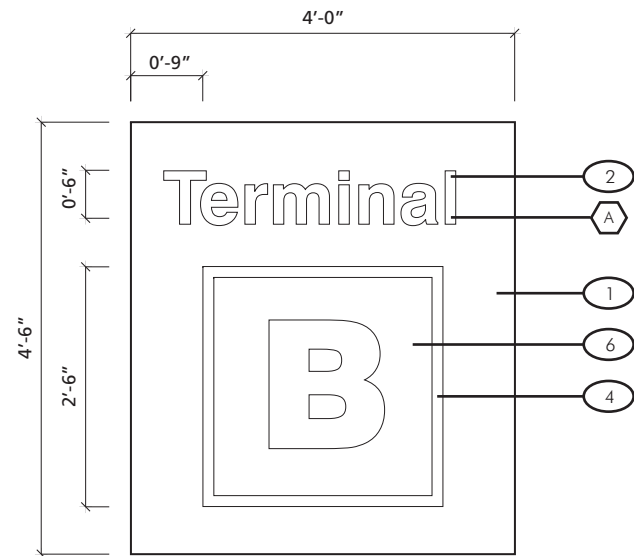
NOTES:

- 1 Counter sunk tamper-proof screw connection between panel and PVC strips as needed.
- 2 3/4" PVC, 3" wide strips
- 3 Fasteners vary for wall connections. (Verify with Architectural drawings for appropriate types.)
- 4 0.090" Aluminum break formed panel.

Identification Signs - Pedestrian 3.5.1

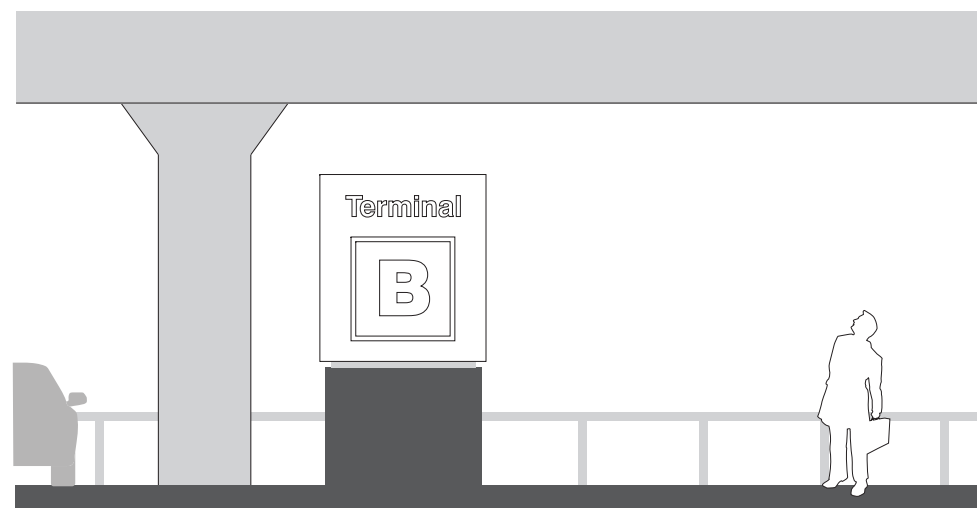


#	Revision	Date



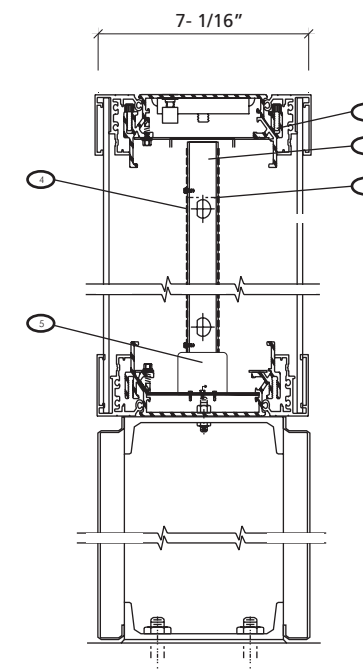
SIGN FACE LAYOUT

Scale: NTS



ELEVATION

Scale: N.T.S.



DETAIL (For Design Intent Only)

Scale: N.T.S.

Floor Mount - Identification ST - 365

DESCRIPTION: Terminal Icon

LOCATION: Parking garages on levels G to 6.

MATERIALS: Extruded aluminum sign face structure with removable face panel.

LETTERING:

- Ⓐ N/A
- Ⓑ N/A

SYMBOLGY: Refer to Section 2.2.2

COLORS:

- ① Background: 3M Opaque Film #7725-12 or approved equal (Black)
- ② Text: Translucent Acrylic (White)
- ③ Band: Translucent Acrylic (White)
- ④ Symbol: Translucent Acrylic (White)
- ⑤ Arrow: Translucent Acrylic (White)
- ⑥ Terminal I.D band:
Terminal A 3M#230/230-127 (Intense Blue)
Terminal B 3M#230/230-33 (Red)
Terminal C 3M#230/230-26 (Green)
Terminal D 3M#220-98 (Dark Violet)
- ⑦ Arrow circle: 3M Opaque Film (dark Gray) #7725-41

GRAPHICS: N/A

ARROWS: N/A

MOUNTING: Floor Mounted.

ILLUMINATION: Sign will be Internally Illuminated.

REMARKS: Refer to Section 2.5 for vinyl specifications

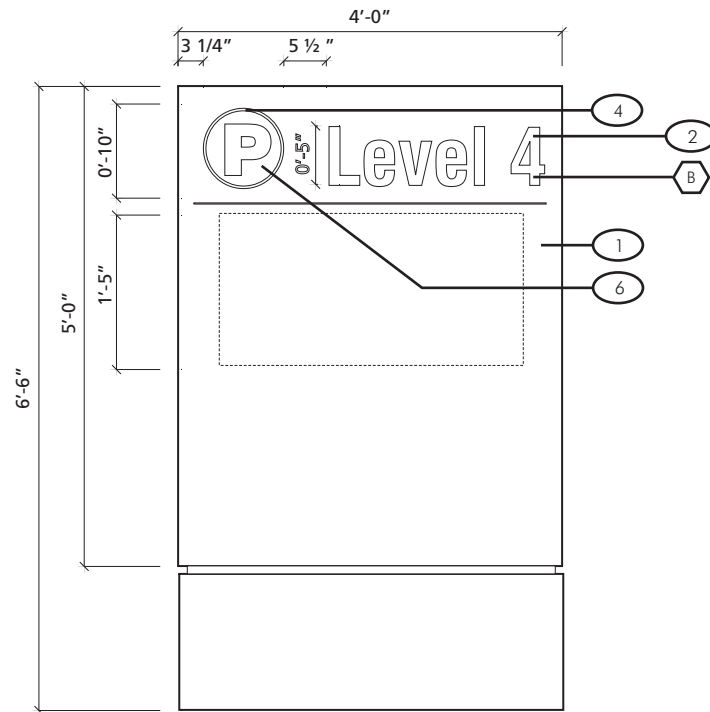
NOTES:

- ① # 10-24 X 1/2" SS SCS hinge screw drill by 5/16" Dia. Use reference scoring 8" from ends typical
- ② D-Punch for floor sockets
- ③ 2" X 2" X 1/8" alum channel raceway, socket support welded to base plate mtd. To frame w/ #8 X 1/2" SS TEK DP SMS
- ④ .040" alum formed raceway cover, socket support. Panduit ABM25-A-C cable tie pad in raceway with panduit PLUM-C ZIP TIE 1/8" WIDE x 7/8"
- ⑤ Ballast France 688 DR

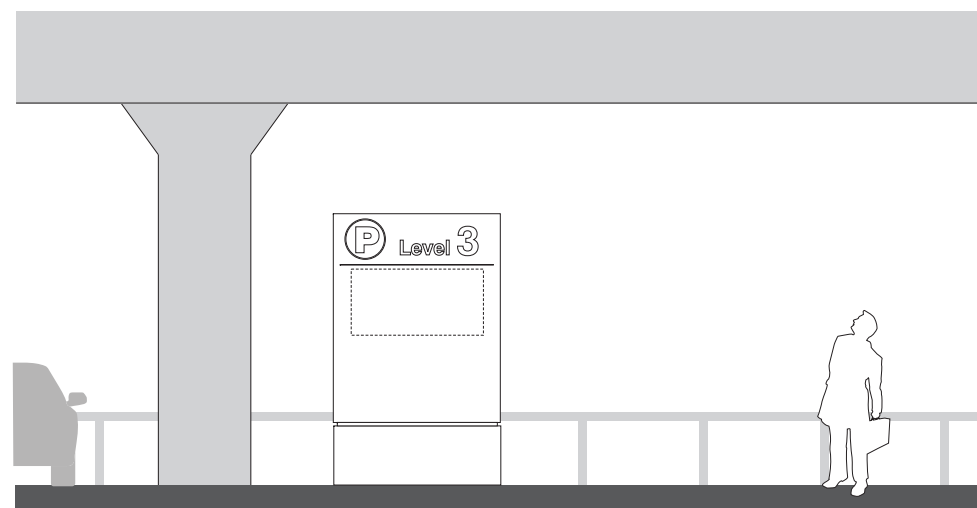
Identification Signs - Pedestrian 3.5.1



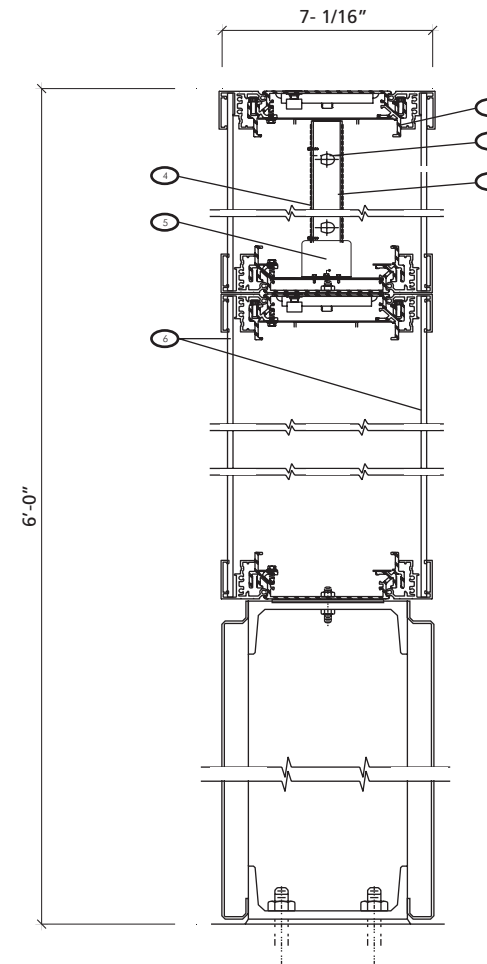
#	Revision	Date



SIGN FACE LAYOUT
Scale: 1/6" = 1'-0"



ELEVATION
Scale: N.T.S.



DETAIL (For Design Intent Only)
Scale: N.T.S.

Floor Mount - Identification ST - 366

DESCRIPTION: Floor Level ID Pylon

LOCATION: Pedestrian Islands from level G to 6

MATERIALS: Fabricated stainless steel removable panels with vinyl graphics on a stainless steel base.

LETTERING:

- △ Swiss 721 Condensed BT Bold
- △ N/A

SYMBOLGY: Refer to Section 2.2.2

COLORS:

- ① Background: 3M Opaque Film #7725-12 or approved equal (Black)
- ② Text: 3M Opaque Film #220-10 or approved equal (White)
- ③ Band: 3M Opaque Film #220-10 or approved equal (White)
- ④ Symbol: 3M Opaque Film #220-10 or approved equal (White)
- ⑤ Arrow: 3M Opaque Film #220-10 or approved equal (White)
- ⑥ Terminal I.D band:
Terminal A 3M#230/230-127 (Intense Blue)
Terminal B 3M#230/230-33 (Red)
Terminal C 3M#230/230-26 (Green)
Terminal D 3M#220-98 (Dark Violet)
- ⑦ Arrow circle: 3M Opaque Film (dark Gray) #7725-41

GRAPHICS: N/A

ARROWS: N/A

MOUNTING: Floor Mounted.

ILLUMINATION: Sign will be Non Illuminated.

REMARKS: Refer to Section 2.5 for vinyl specifications

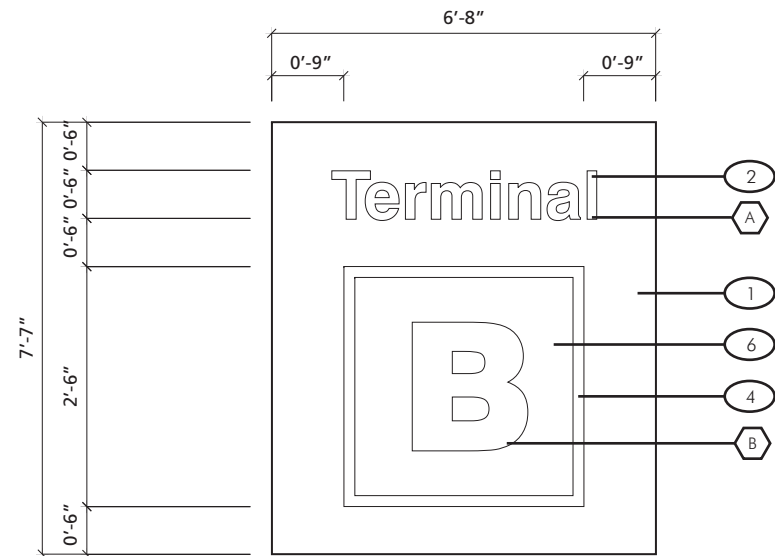
NOTES:

- ① # 10-24 X 1/2" SS SCS hinge screw drill by 5/16" Dia. Use reference scoring 8" from ends typical
- ② D-Punch for fluor sockets
- ③ 2" X 2" X 1/8" alum channel raceway, socket support welded to base plate mid. To frame w/ #8 X 1/2" SS TEK DP SMS
- ④ .040" alum formed raceway cover, socket support. Panduit ABM25-A-C cable tie pad in raceway with panduit PLIM-C ZIP TIE 1/8" WIDE x 7/8"
- ⑤ Ballast France 688 DR
- ⑥ 3/16" signwhite polycarb faces mounted with 3M 4930 VHB FT

Identification Signs - Pedestrian 3.5.1

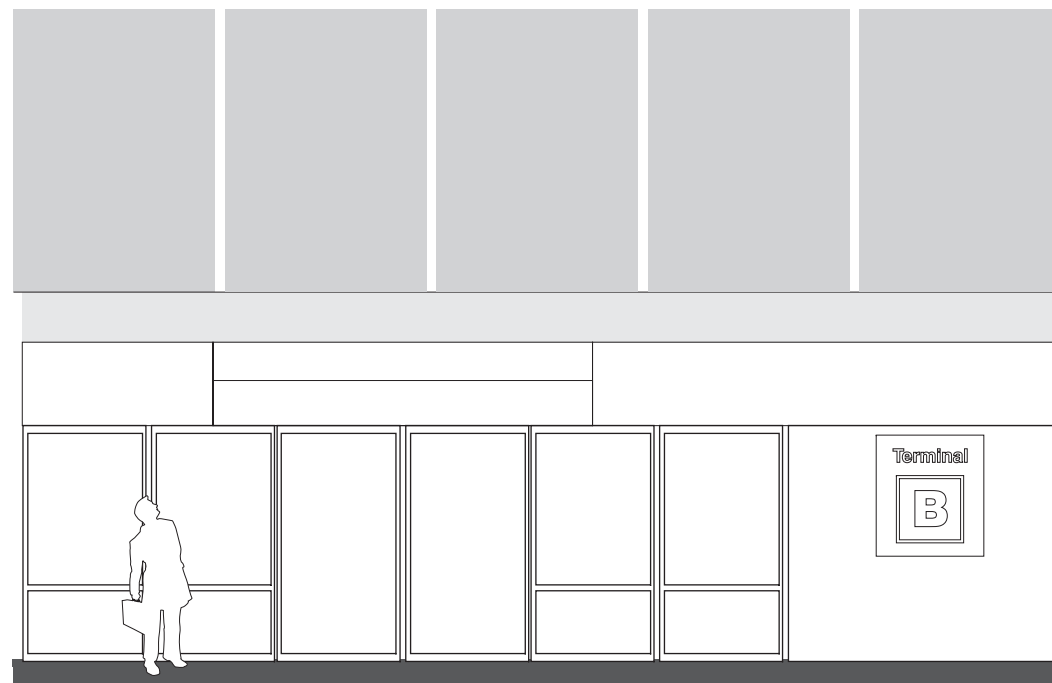


#	Revision	Date



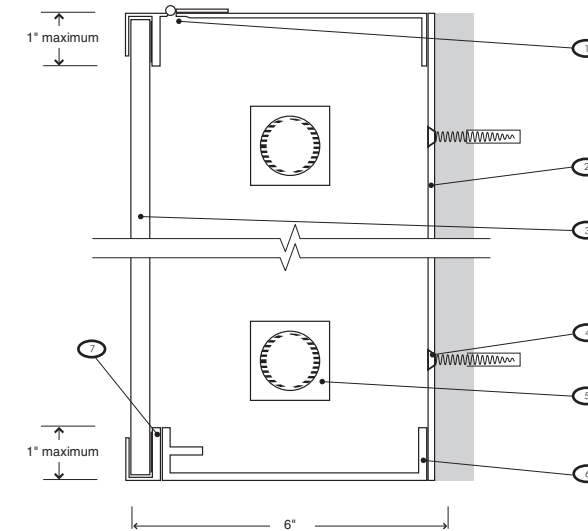
SIGN FACE LAYOUT

Scale: NTS



ELEVATION

Scale: N.T.S.



DETAIL

Scale: N.T.S.

Wall Mount - Identification **ST - 370**

DESCRIPTION: Terminal Icon

LOCATION: On facade above roof canopy on level 7.

MATERIALS: Aluminum sign face structure with removable face panel.

LETTERING:

- A Swiss721 BT
- B Swiss721 Blk BT

SYMBOLGY: Refer to Section 2.2.2

COLORS:

- 1 Background: 3M Opaque Film #7725-12 or approved equal (Black)
- 2 Text: Translucent Acrylic (White)
- 3 Band: Translucent Acrylic (White)
- 4 Symbol: Translucent Acrylic (White)
- 5 Arrow: Translucent Acrylic (White)
- 6 Terminal I.D.:
Terminal A 3M#230/230-127 (Intense Blue)
Terminal B 3M#230/230-33 (Red)
Terminal C 3M#230/230-26 (Green)
Terminal D 3M#220-98 (Dark Violet)
- 7 Arrow circle: 3M Opaque Film (dark Gray) #7725-41

GRAPHICS: N/A

ARROWS: N/A

MOUNTING: Wall Mounted.

ILLUMINATION: Sign will be Internally Illuminated.

REMARKS: Refer to Section 2.5 for vinyl specifications

NOTES:

- 1 Extruded Aluminum box section with continuous length of hinge along top edge. Provide flashing gasket and/or trim as needed to make weather tight case for extreme exterior conditions.
- 2 Back panel - Aluminum with welded corners ground smooth.
- 3 3/8" thick milk White polycarbonate.
- 4 Fasteners as needed to secure to various exterior wall conditions.
- 5 Fluorescent lamps T12 3500 K at intervals needed for even illumination across graphic panels.
- 6 Aluminum channel frame.
- 7 Magnetic catch at bottom and sides as needed.

Identification Signs - Pedestrian **3.5.1**

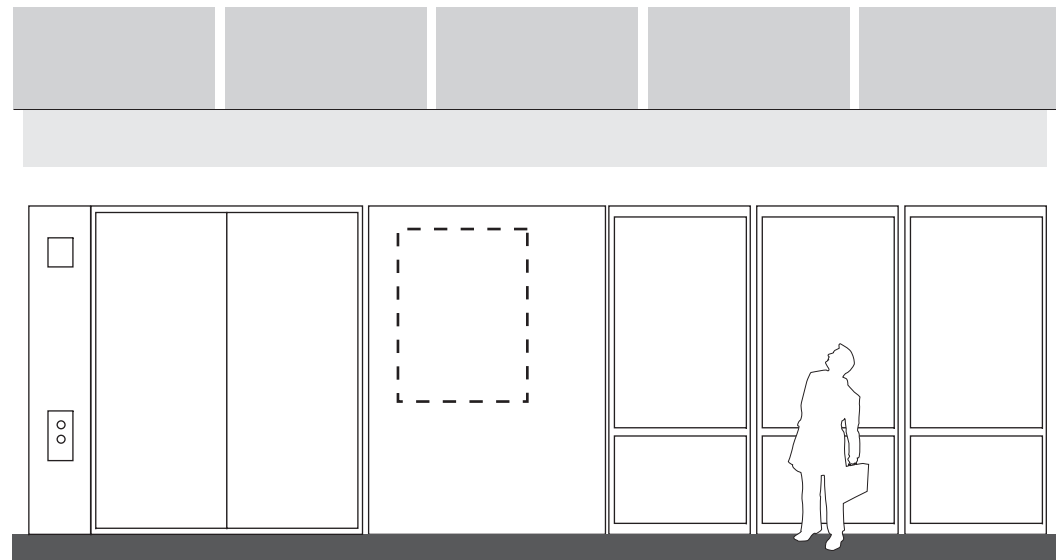


#	Revision	Date

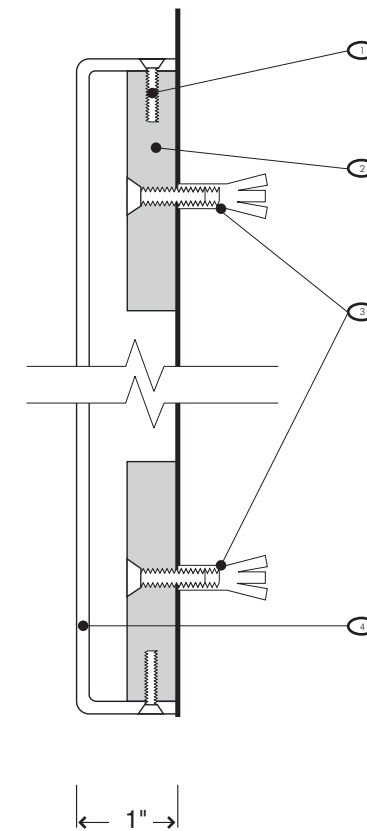


• Note: Use sign type H1 from the Central Parking Garage and Expansion MPA Project # L219-C3 date March 31, 2004.

SIGN FACE LAYOUT
Scale: NTS



ELEVATION
Scale: N.T.S.



DETAIL
Scale: N.T.S.

Wall Mount - Identification ST - 371

DESCRIPTION: Lobby Floor ID Panels

LOCATION: Used at Terminal Lobbies.

MATERIALS: N/A

LETTERING:
 N/A
 N/A

SYMBOLOLOGY: N/A

COLORS: N/A

GRAPHICS: Graphics to be provided by Massport.

ARROWS: N/A

MOUNTING: Wall Mounted.

ILLUMINATION: Sign will be Non Illuminated.

REMARKS: Refer to Section 2.5 for vinyl specifications

NOTES:

- ① Counter sunk tamper-proof screw connection between panel and PVC strips as needed.
- ② 1/2" PVC mounting block mounted to wall or with brackets to light poles
- ③ Fasteners vary for surface wall connections.
- ④ Porcelain Enamel bonded by fusion to Stainless Steel.

Identification Signs - Pedestrian 3.5.1



#	Revision	Date

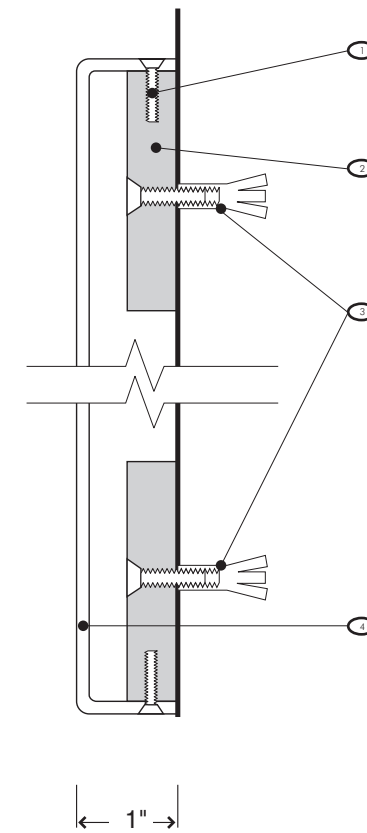
Graphics to be provided by Massport

• Note: Use sign type H2 from the Central Parking Garage and Expansion MPA Project # L219-C3 date March 31, 2004.

SIGN FACE LAYOUT
Scale: NTS



ELEVATION
Scale: N.T.S.



DETAIL
Scale: N.T.S.

Wall Mount - Identification ST - 372

DESCRIPTION: Lobby Floor ID Panels

LOCATION: Used at Stair Cores.

MATERIALS: N/A

LETTERING:
A N/A
B N/A

SYMBOLOLOGY: N/A

COLORS: N/A

GRAPHICS: Graphics to be provided Massport.

ARROWS: N/A

MOUNTING: Wall Mounted.

ILLUMINATION: Sign will be Non Illuminated.

REMARKS: Refer to Section 2.5 for vinyl specifications

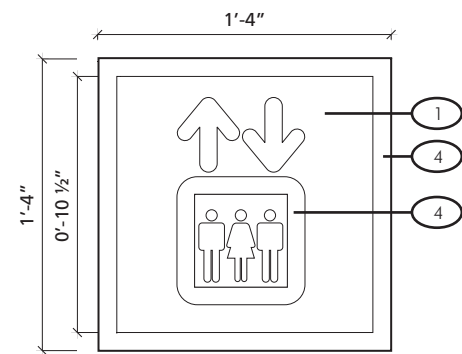
NOTES:

- ① Counter sunk tamper-proof screw connection between panel and PVC strips as needed.
- ② 1/2" PVC mounting block mounted to wall or with brackets to light poles
- ③ Fasteners vary for surface wall connections.
- ④ Porcelain Enamel bonded by fusion to Stainless Steel.

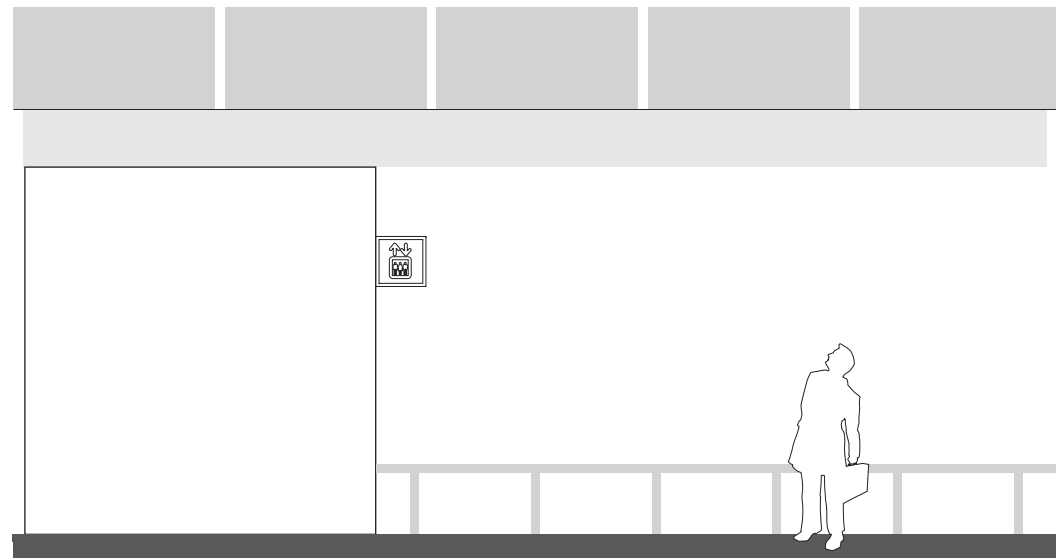
Identification Signs - Pedestrian 3.5.1



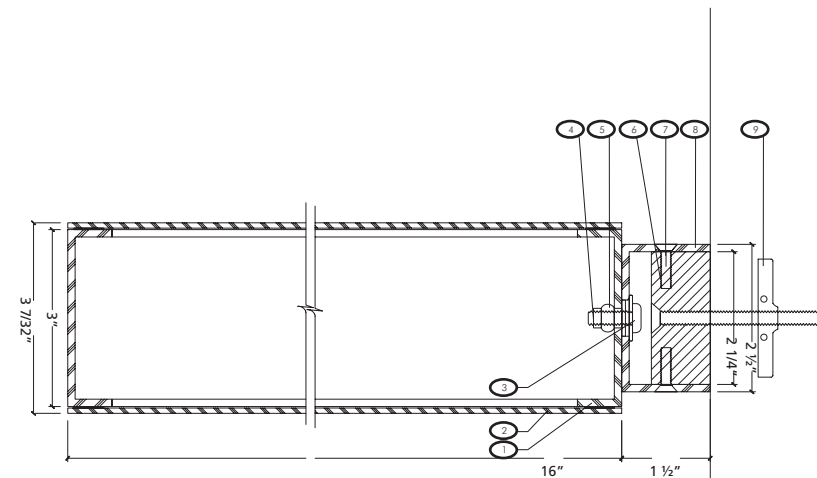
#	Revision	Date



SIGN FACE LAYOUT
Scale: 1 1/2" = 1'-0"



ELEVATION
Scale: N.T.S.



DETAIL (For Design Intent Only)
Scale: N.T.S.

Flag Mount - Identification ST - 375

DESCRIPTION: Elevator ID

LOCATION: Used at elevator banks at pedestrian lobbies.

MATERIALS: Extruded aluminum sign face structure with removable face panel.

LETTERING:
A N/A
B N/A

SYMBOLGY: Refer to Section 2.2.2

- COLORS:
- 1 Background: 3M Opaque Film #7725-12 or approved equal (Black)
 - 2 Text: 3M Opaque Film #220-10 or approved equal (White)
 - 3 Band: 3M Opaque Film #220-10 or approved equal (White)
 - 4 Symbol: 3M Opaque Film #220-10 or approved equal (White)
 - 5 Arrow: 3M Opaque Film #220-10 or approved equal (White)
 - 6 Terminal I.D.:
Terminal A 3M#230/230-127 (Intense Blue)
Terminal B 3M#230/230-33 (Red)
Terminal C 3M#230/230-26 (Green)
Terminal D 3M#220-98 (Dark Violet)
 - 7 Arrow circle: 3M Opaque Film (dark Gray) #7725-41

GRAPHICS: N/A

ARROWS: N/A

MOUNTING: Flag Mounted.

ILLUMINATION: Sign will be Non Illuminated.

REMARKS: Refer to Section 2.5 for vinyl specifications

NOTES:

- 1 3" X 1 X 1/8" alum channel frame.
- 2 .090" alum face
- 3 1/4" - 20 X 3/4" SS PH CS MC 91772A540 (X3)
- 4 1/4" SS flat washer MC 92141A029 (X3)
- 5 1/4" - 20 RIVNUT (X3)
- 6 2- 1/4" X 1" X 12" PVC
- 7 10 - 32 X 3/4" SS FH MS tamper resistant
- 8 2- 1/2" X 1-1/2" X 1/8" alum channel
- 9 1/4- 20 toggler MC 97802A219

Identification Signs - Pedestrian 3.5.1

