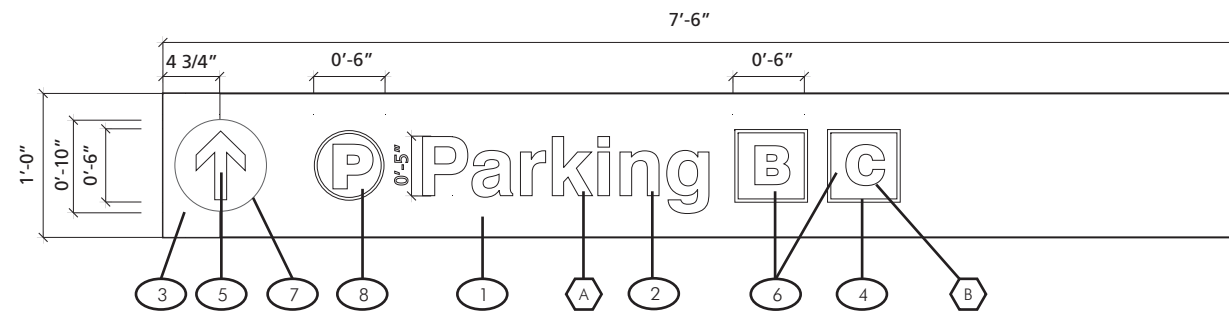
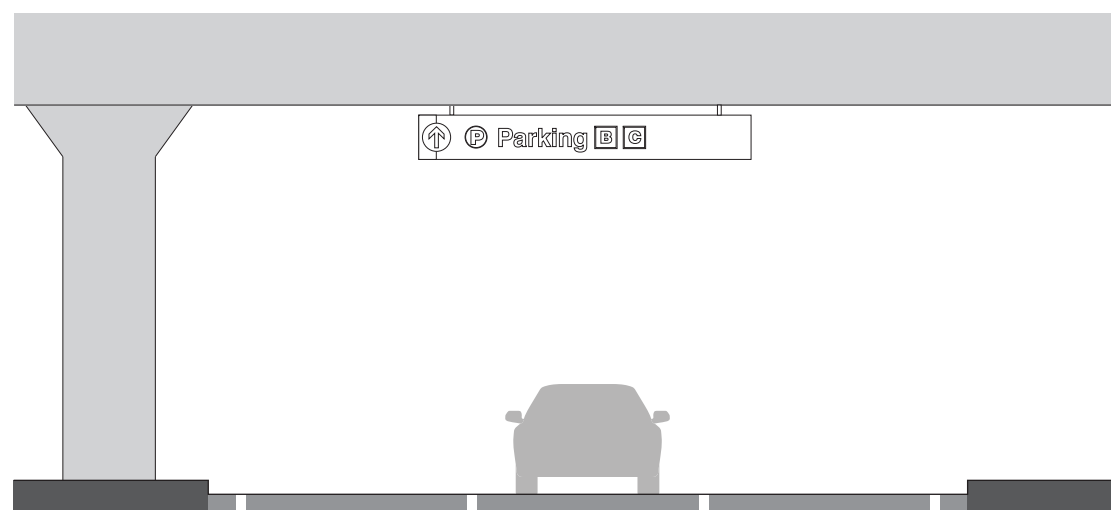


#	Revision	Date



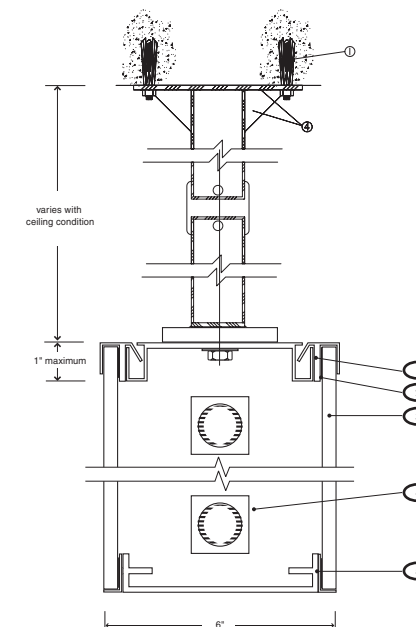
SIGN FACE LAYOUT

Scale: 3/4" = 1'-0"



ELEVATION

Scale: N.T.S.



SECTION

Scale: N.T.S.

Overhead - Directional ST - 301

DESCRIPTION: 1 directional - 1 level of messaging.

LOCATION: Parking garages overhead vehicular traffic.

MATERIALS: Extruded aluminum sign face structure with removable face panel.

LETTERING:

- Ⓐ Swiss721 BT Bold
- Ⓑ Swiss721 Blk BT

SYMBOLGY: Refer to Section 2.2.2

COLORS:

- ① Background: 3M Opaque Film #7725-12 or approved equal (Black)
- ② Text: Translucent Acrylic (White)
- ③ Band: Translucent Acrylic (White)
- ④ Symbol: Translucent Acrylic (White)
- ⑤ Arrow: Translucent Acrylic (White)
- ⑥ Terminal I.D.:
Terminal A 3M#230/230-127 (Intense Blue)
Terminal B 3M#230/230-33 (Red)
Terminal C 3M#230/230-26 (Green)
Terminal D 3M#220-98 (Dark Violet)
- ⑦ Arrow circle: 3M Opaque Film (dark Gray) #7725-41
- ⑧ Parking P 3M Vivid Blue Film #220-17

GRAPHICS: N/A

ARROWS: 6"

MOUNTING: Ceiling Suspended.

ILLUMINATION: Sign will be Internally Illuminated.

REMARKS: Refer to Section 2.5 for vinyl specifications

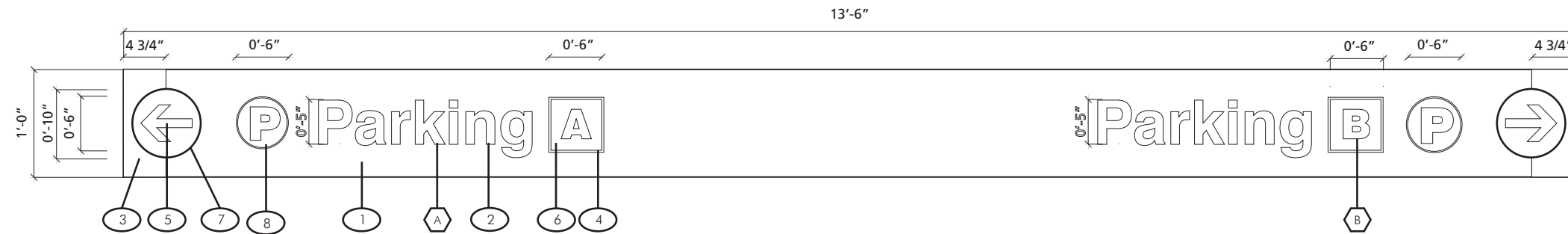
NOTES:

- ① Cabinet sides and all exposed edges painted black.
- ② Aluminum channel frame
- ③ 3/8" thick milk White polycarbonate. Paint surface of graphics panel solid Black with text and symbols White or colors as noted in layouts.
- ④ Fluorescent lamps T12 3500K at intervals needed for even illumination across graphics.
- ⑤ Magnetic closure at bottom edge to secure

Directional Signs - Vehicular 3.5.1

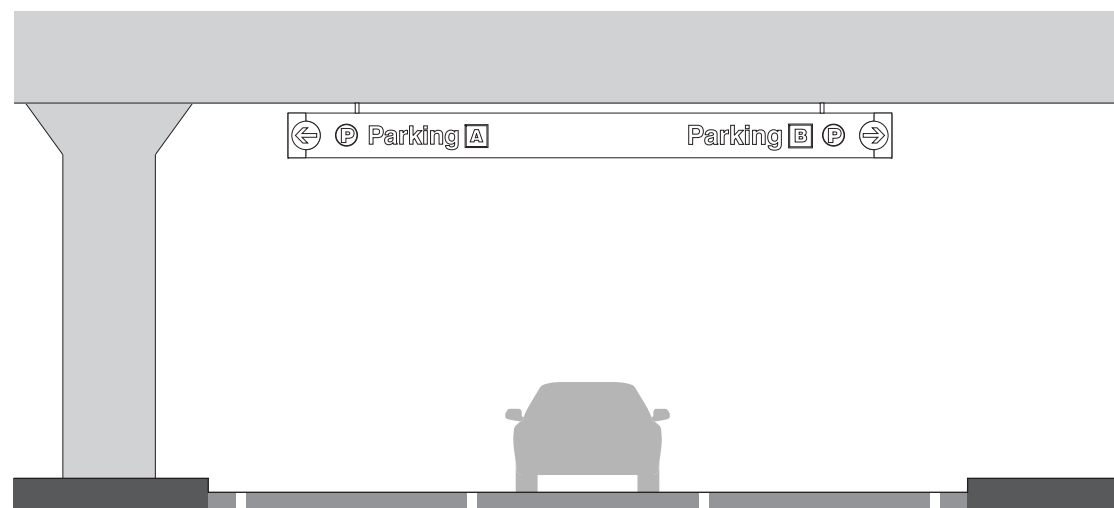


#	Revision	Date



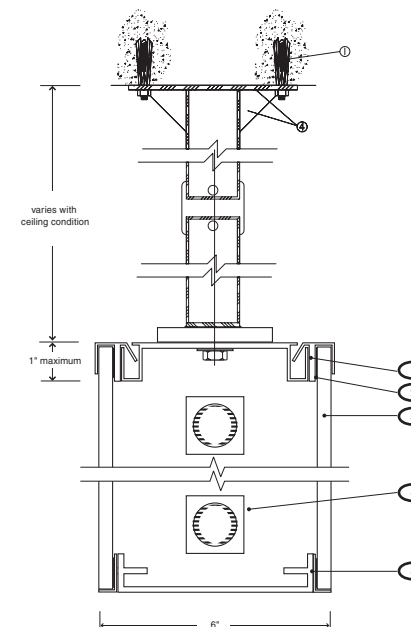
SIGN FACE LAYOUT

Scale: 3/4" = 1'-0"



ELEVATION

Scale: N.T.S.



SECTION

Scale: N.T.S.

Overhead - Directional ST - 302

DESCRIPTION: 2 directional - 1 level of messaging.

LOCATION: Parking garages overhead vehicular traffic.

MATERIALS: Extruded aluminum sign face structure with removable face panel.

LETTERING:
 A Swiss721 BT Bold
 B Swiss721 Blk BT

SYMBOLGY: Refer to Section 2.2.2

- COLORS:**
- 1 Background: 3M Opaque Film #7725-12 or approved equal (Black)
 - 2 Text: Translucent Acrylic (White)
 - 3 Band: Translucent Acrylic (White)
 - 4 Symbol: Translucent Acrylic (White)
 - 5 Arrow: Translucent Acrylic (White)
 - 6 Terminal I.D:
 Terminal A 3M#230/230-127 (Intense Blue)
 Terminal B 3M#230/230-33 (Red)
 Terminal C 3M#230/230-26 (Green)
 Terminal D 3M#220-98 (Dark Violet)
 - 7 Arrow circle: 3M Opaque Film (dark Gray) # 7725-41
 - 8 Parking P 3M Vivid Blue Film # 220-17

GRAPHICS: N/A

ARROWS: 6"

MOUNTING: Ceiling Suspended.

ILLUMINATION: Sign will be Internally Illuminated.

REMARKS: Refer to Section 2.5 for vinyl specifications

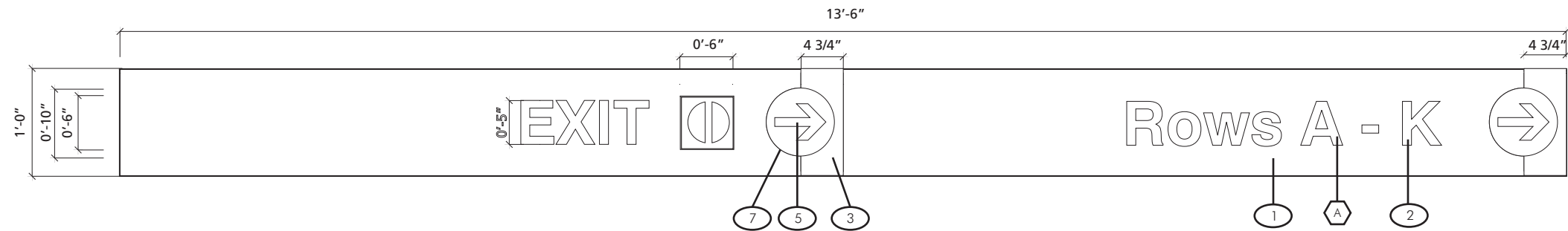
NOTES:

- 1 Cabinet sides and all exposed edges painted black.
- 2 Aluminum channel frame
- 3 3/8" thick milk White polycarbonate. Paint surface of graphics panel solid Black with text and symbols White or colors as noted in layouts.
- 4 Fluorescent lamps T12 3500K at intervals needed for even illumination across graphics.
- 5 Magnetic closure at bottom edge to secure

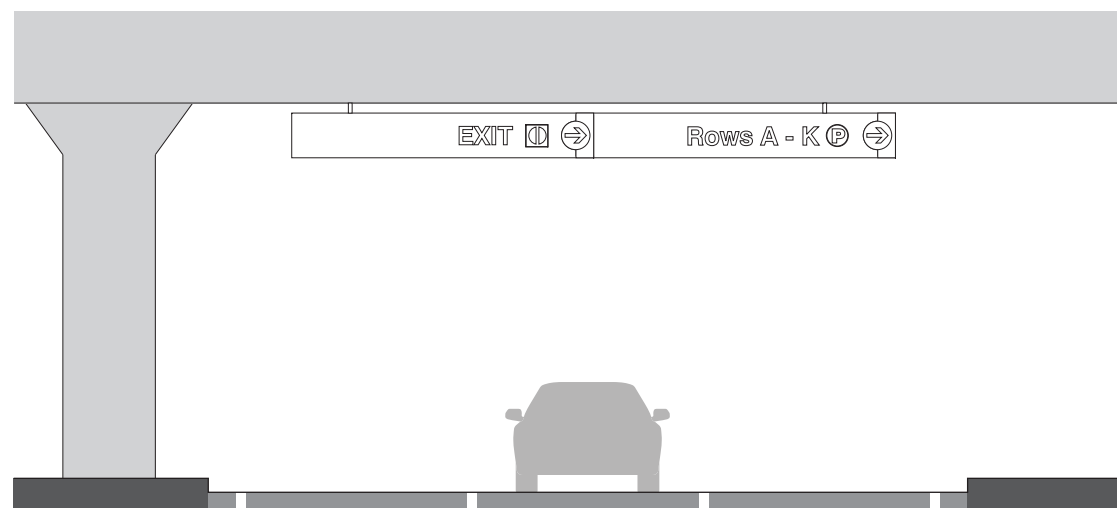
Directional Signs - Vehicular 3.5.1



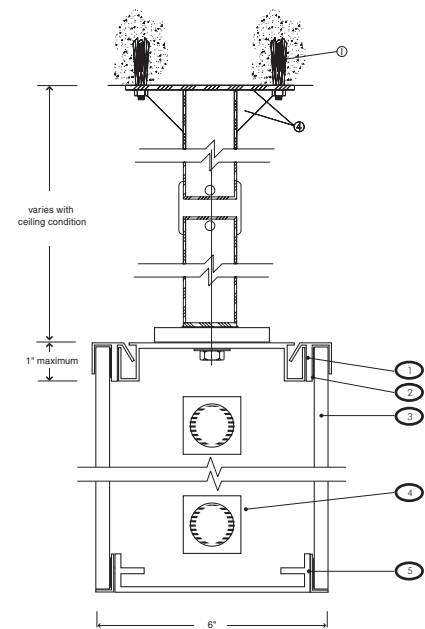
#	Revision	Date



SIGN FACE LAYOUT
Scale: 3/4" = 1'-0"



ELEVATION
Scale: N.T.S.



SECTION
Scale: N.T.S.

Overhead - Directional ST - 303

DESCRIPTION: 1 directional - 2 levels of messaging.
LOCATION: Parking garages overhead vehicular traffic.

MATERIALS: Extruded aluminum sign face structure with removable face panel.

LETTERING:
 A Swiss721 BT Bold
 B Swiss721 Blk BT

SYMBOLGY: Refer to Section 2.2.2

COLORS:
 1 Background: 3M Opaque Film #7725-12 or approved equal (Black)
 2 Text: Translucent Acrylic (White)
 3 Band: Translucent Acrylic (White)
 4 Symbol: Translucent Acrylic (White)
 5 Arrow: Translucent Acrylic (White)
 6 Terminal I.D:
 Terminal A 3M#230/230-127 (Intense Blue)
 Terminal B 3M#230/230-33 (Red)
 Terminal C 3M#230/230-26 (Green)
 Terminal D 3M#220-98 (Dark Violet)
 7 Arrow circle: 3M Opaque Film (dark Gray) # 7725-41
 8 Parking P 3M Vivid Blue Film # 220-17

GRAPHICS: N/A

ARROWS: 6"

MOUNTING: Ceiling Suspended.

ILLUMINATION: Sign will be Internally Illuminated.

REMARKS: Refer to Section 2.5 for vinyl specifications

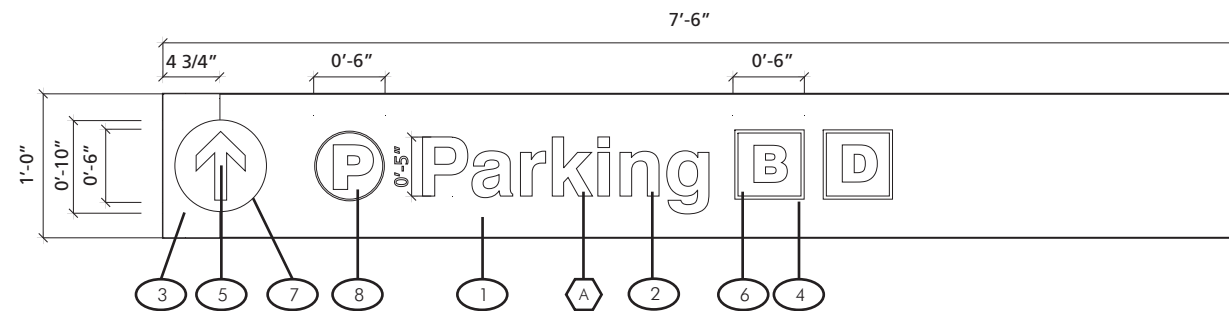
NOTES:

- 1 Cabinet sides and all exposed edges painted black.
- 2 Aluminum channel frame
- 3 3/8" thick milk White polycarbonate. Paint surface of graphics panel solid Black with text and symbols White or colors as noted in layouts.
- 4 Fluorescent lamps T12 3500K at intervals needed for even illumination across graphics.
- 5 Magnetic closure at bottom edge to secure

Directional Signs - Vehicular 3.5.1

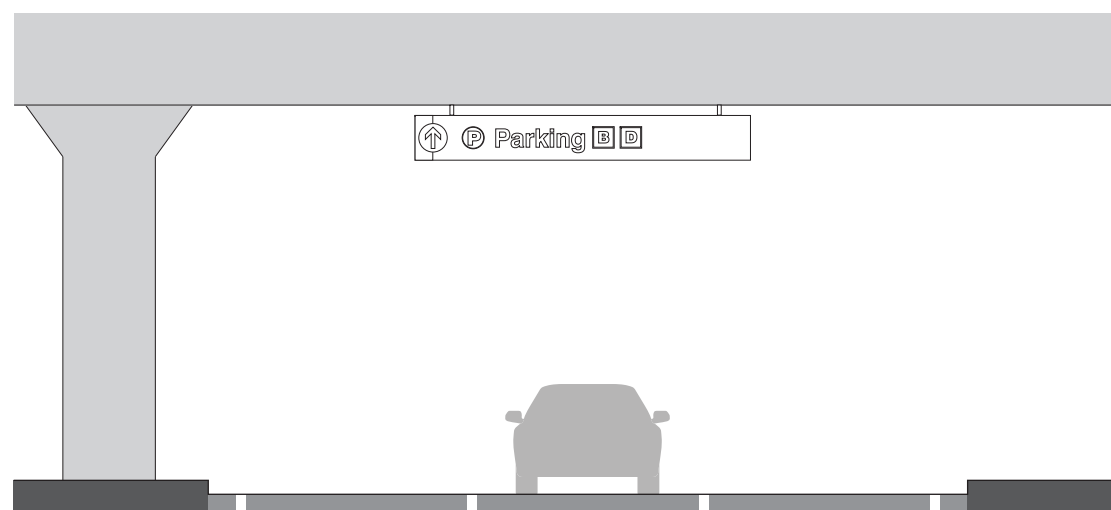


#	Revision	Date



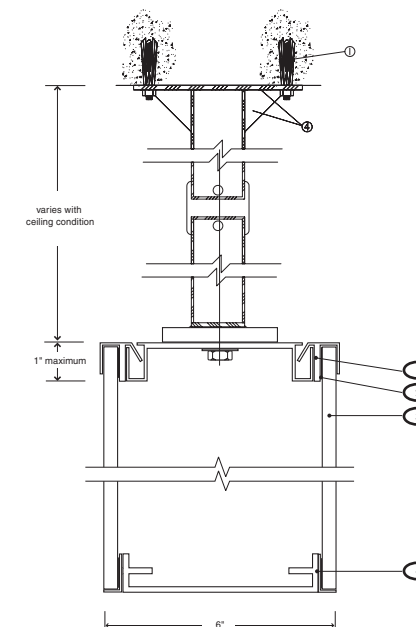
SIGN FACE LAYOUT

Scale: 3/4" = 1'-0"



ELEVATION

Scale: N.T.S.



Overhead - Directional ST - 304

DESCRIPTION: 1 directional- 1 level of messaging.

LOCATION: Parking garages overhead vehicular traffic.

MATERIALS: Fabricated stainless steel panel with vinyl graphics.

LETTERING:
 A Swiss721 BT Bold
 B Swiss721 Blk BT

SYMBOLGY: Refer to Section 2.2.2

- COLORS:**
- 1 Background: 3M Opaque Film #7725-12 or approved equal (Black)
 - 2 Text: 3M Opaque Film #220-10 or approved equal (White)
 - 3 Band: 3M Opaque Film #220-10 or approved equal (White)
 - 4 Symbol: 3M Opaque Film #220-10 or approved equal (White)
 - 5 Arrow: 3M Opaque Film #220-10 or approved equal (White)
 - 6 Terminal I.D:
 Terminal A 3M#230/230-127 (Intense Blue)
 Terminal B 3M#230/230-33 (Red)
 Terminal C 3M#230/230-26 (Green)
 Terminal D 3M#220-98 (Dark Violet)
 - 7 Arrow circle: 3M Opaque Film (dark Gray) # 7725-41
 - 8 Parking P 3M Vivid Blue Film # 220-17

GRAPHICS: N/A

ARROWS: 6"

MOUNTING: Ceiling Suspended.

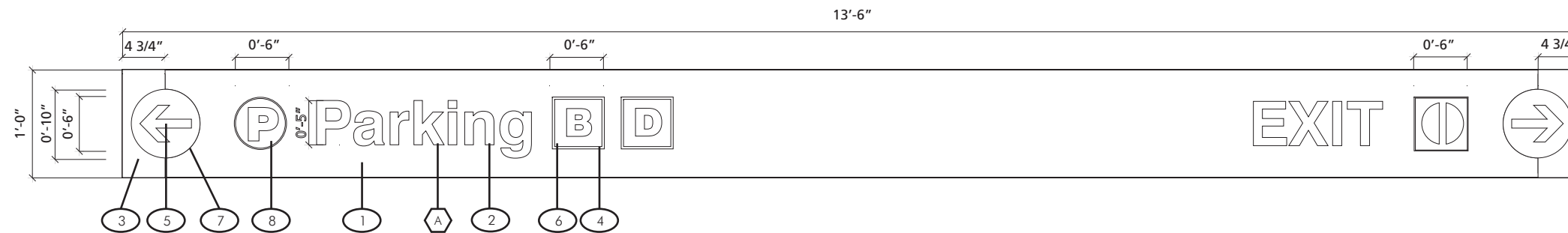
ILLUMINATION: Sign will be Non Illuminated.

REMARKS: Refer to Section 2.5 for vinyl specifications

- NOTES:**
- 1 Cabinet sides and all exposed edges painted black.
 - 2 Aluminum channel frame
 - 3 3/8" thick milk White polycarbonate. Paint surface of graphics panel solid Black with text and symbols White or colors as noted in layouts.
 - 4 Magnetic closure at bottom edge to secure

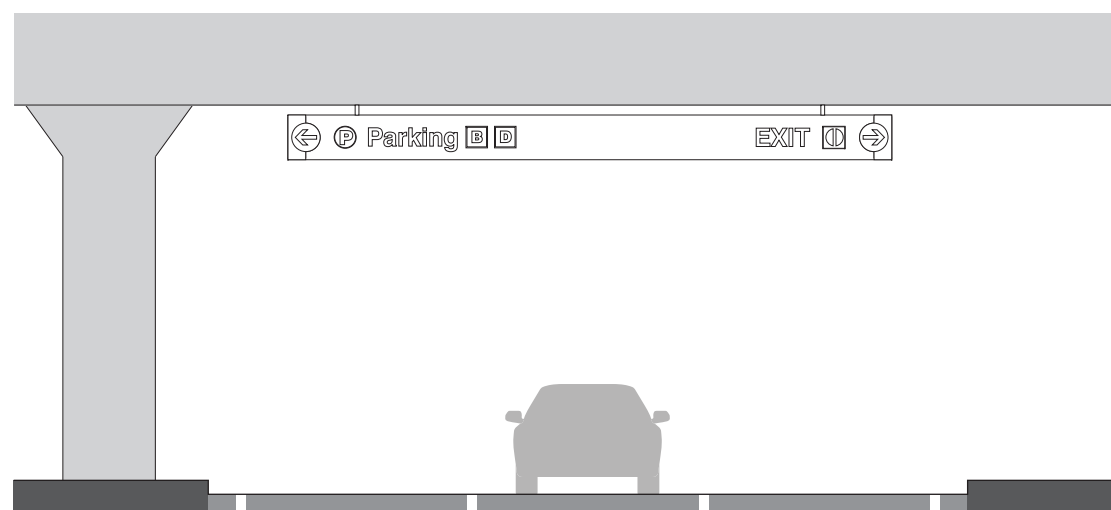
Directional Signs - Vehicular 3.5.1

#	Revision	Date



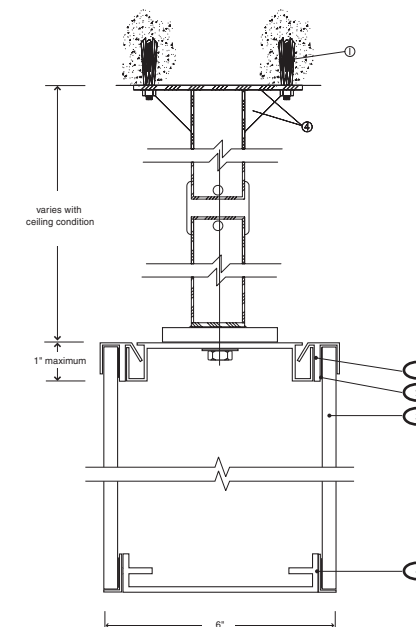
SIGN FACE LAYOUT

Scale: 3/4" = 1'-0"



ELEVATION

Scale: N.T.S.



SECTION

Scale: N.T.S.

Overhead - Directional ST - 305

DESCRIPTION: 2 directional - 1 level of messaging.

LOCATION: Parking garages overhead vehicular traffic.

MATERIALS: Fabricated stainless steel panel with vinyl graphics.

LETTERING:
 A Swiss721 BT Bold
 B Swiss721 Blk BT

SYMBOLOLOGY: Refer to Section 2.2.2

- COLORS:**
- 1 Background: 3M Opaque Film #7725-12 or approved equal (Black)
 - 2 Text: 3M Opaque Film #220-10 or approved equal (White)
 - 3 Band: 3M Opaque Film #220-10 or approved equal (White)
 - 4 Symbol: 3M Opaque Film #220-10 or approved equal (White)
 - 5 Arrow: 3M Opaque Film #220-10 or approved equal (White)
 - 6 Terminal I.D.:
 Terminal A 3M#230/230-127 (Intense Blue)
 Terminal B 3M#230/230-33 (Red)
 Terminal C 3M#230/230-26 (Green)
 Terminal D 3M#220-98 (Dark Violet)
 - 7 Arrow circle: 3M Opaque Film (dark Gray) #7725-41
 - 8 Parking P 3M Vivid Blue Film #220-17

GRAPHICS: N/A

ARROWS: 6"

MOUNTING: Ceiling Suspended.

ILLUMINATION: Sign will be Non Illuminated.

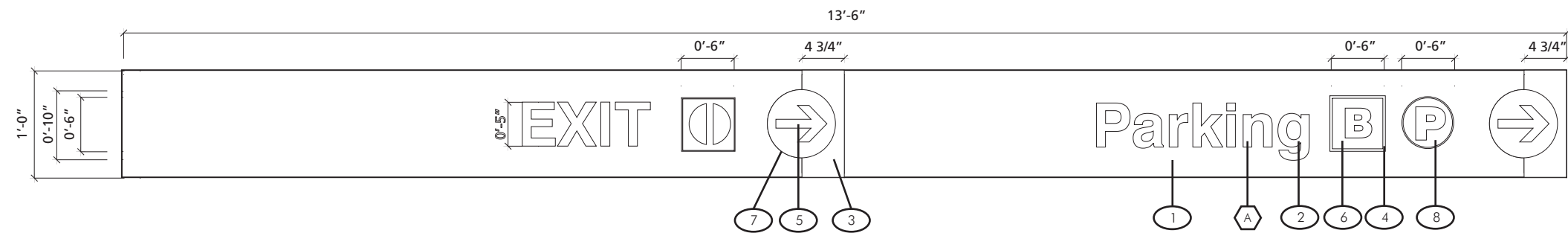
REMARKS: Refer to Section 2.5 for vinyl specifications

- NOTES:**
- 1 Cabinet sides and all exposed edges painted black.
 - 2 Aluminum channel frame
 - 3 3/8" thick milk White polycarbonate. Paint surface of graphics panel solid Black with text and symbols White or colors as noted in layouts.
 - 4 Magnetic closure at bottom edge to secure

Directional Signs - Vehicular 3.5.1

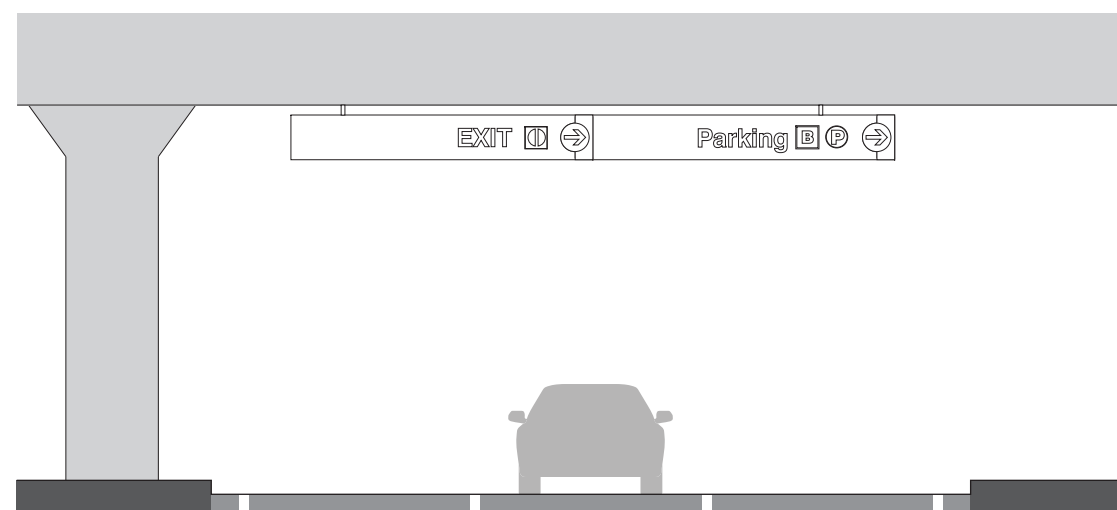


#	Revision	Date



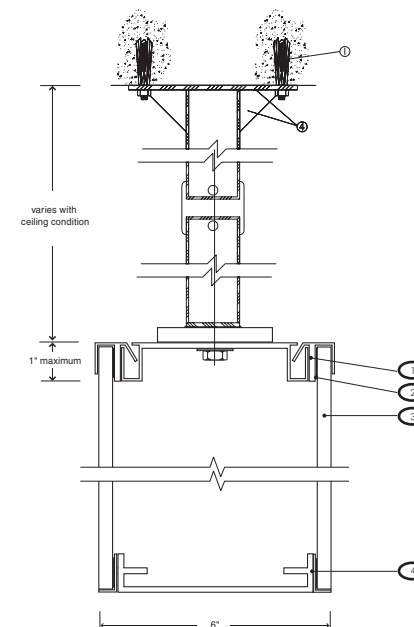
SIGN FACE LAYOUT

Scale: 3/4" = 1'-0"



ELEVATION

Scale: N.T.S.



SECTION

Scale: N.T.S.

Overhead - Directional ST - 306

DESCRIPTION: 1 directional - 2 levels of messaging.

LOCATION: Parking garages overhead vehicular traffic.

MATERIALS: Fabricated stainless steel panel with vinyl graphics.

LETTERING:
 A Swiss721 BT Bold
 B Swiss721 Blk BT

SYMBOLGY: Refer to Section 2.2.2

- COLORS:**
- 1 Background: 3M Opaque Film #7725-12 or approved equal (Black)
 - 2 Text: 3M Opaque Film #220-10 or approved equal (White)
 - 3 Band: 3M Opaque Film #220-10 or approved equal (White)
 - 4 Symbol: 3M Opaque Film #220-10 or approved equal (White)
 - 5 Arrow: 3M Opaque Film #220-10 or approved equal (White)
 - 6 Terminal I.D.:
 Terminal A 3M#230/230-127 (Intense Blue)
 Terminal B 3M#230/230-33 (Red)
 Terminal C 3M#230/230-26 (Green)
 Terminal D 3M#220-98 (Dark Violet)
 - 7 Arrow circle: 3M Opaque Film (dark Gray) #7725-41
 - 8 Parking P 3M Vivid Blue Film #220-17

GRAPHICS: N/A

ARROWS: 6"

MOUNTING: Ceiling Suspended.

ILLUMINATION: Sign will be Non Illuminated.

REMARKS: Refer to Section 2.5 for vinyl specifications

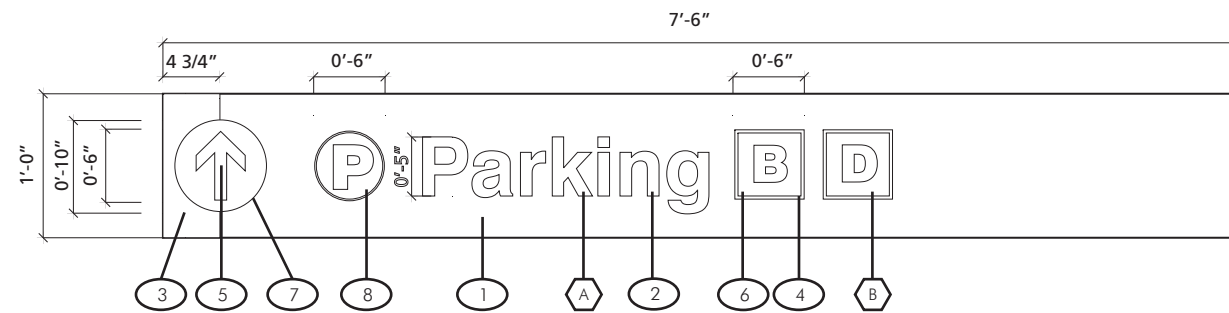
NOTES:

- 1 Cabinet sides and all exposed edges painted black.
- 2 Aluminum channel frame
- 3 3/8" thick milk White polycarbonate. Paint surface of graphics panel solid Black with text and symbols White or colors as noted in layouts.
- 4 Magnetic closure at bottom edge to secure

Directional Signs - Vehicular 3.5.1

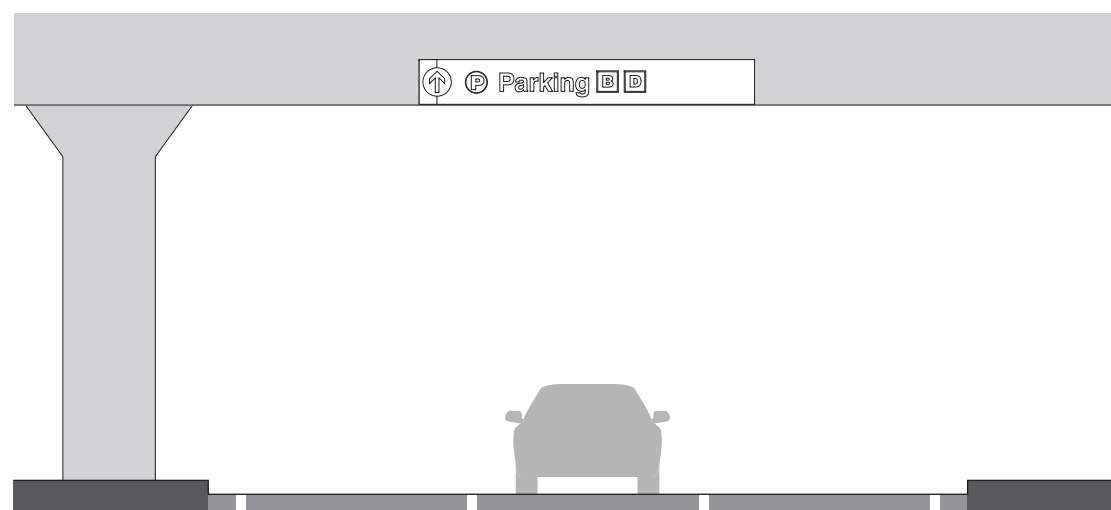


#	Revision	Date



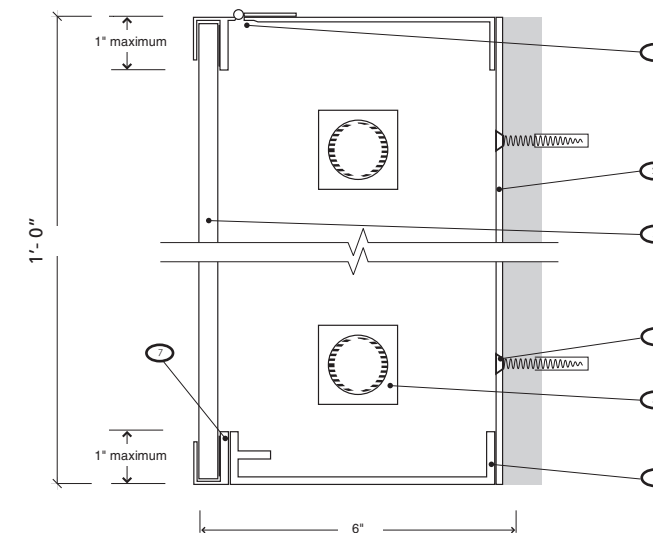
SIGN FACE LAYOUT

Scale: 3/4" = 1'-0"



ELEVATION

Scale: N.T.S.



DETAIL

Scale: N.T.S.

Overhead - Directional **ST - 307**

DESCRIPTION: 1 directional - 1 level of messaging.

LOCATION: Parking garages overhead vehicular traffic.

MATERIALS: Extruded aluminum sign face structure with removable face panel.

LETTERING:
 A Swiss721 BT Bold
 B Swiss721 Blk BT

SYMBOLGY: Refer to Section 2.2.2

COLORS:
 1 Background: 3M Opaque Film #7725-12 or approved equal (Black)
 2 Text: Translucent Acrylic (White)
 3 Band: Translucent Acrylic (White)
 4 Symbol: Translucent Acrylic (White)
 5 Arrow: Translucent Acrylic (White)
 6 Terminal I.D:
 Terminal A 3M#230/230-127 (Intense Blue)
 Terminal B 3M#230/230-33 (Red)
 Terminal C 3M#230/230-26 (Green)
 Terminal D 3M#220-98 (Dark Violet)
 7 Arrow circle: 3M Opaque Film (dark Gray) # 7725-41
 8 Parking P 3M Vivid Blue Film # 220-17

GRAPHICS: N/A

ARROWS: 6"

MOUNTING: Soffit Mounted.

ILLUMINATION: Sign will be Internally Illuminated.

REMARKS: Refer to Section 2.5 for vinyl specifications

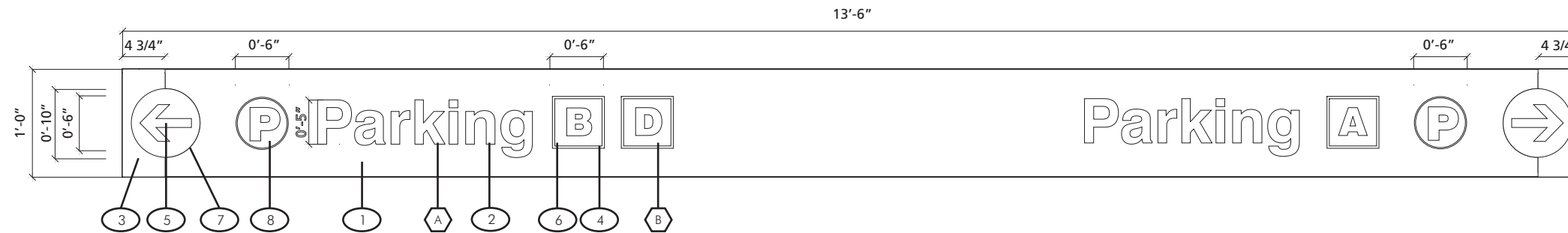
NOTES:

- 1 Extruded Aluminum box section with continuous length of hinge along top edge. Provide flashing gasket and/or trim as needed to make weather tight case for extreme exterior conditions.
- 2 Back panel - Aluminum with welded corners ground smooth.
- 3 3/8" thick milk White polycarbonate.
- 4 Fasteners as needed to secure to various exterior wall conditions.
- 5 Fluorescent lamps T12 3500 K at intervals needed for even illumination across graphic panels.
- 6 Aluminum channel frame.
- 7 Magnetic catch at bottom and sides as needed.

Directional Signs - Vehicular **3.5.1**

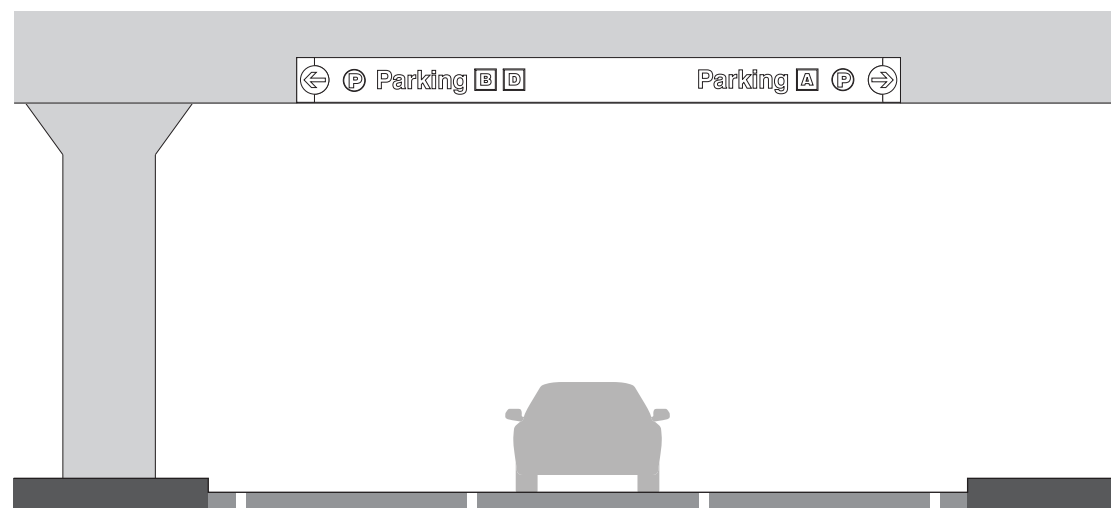


#	Revision	Date



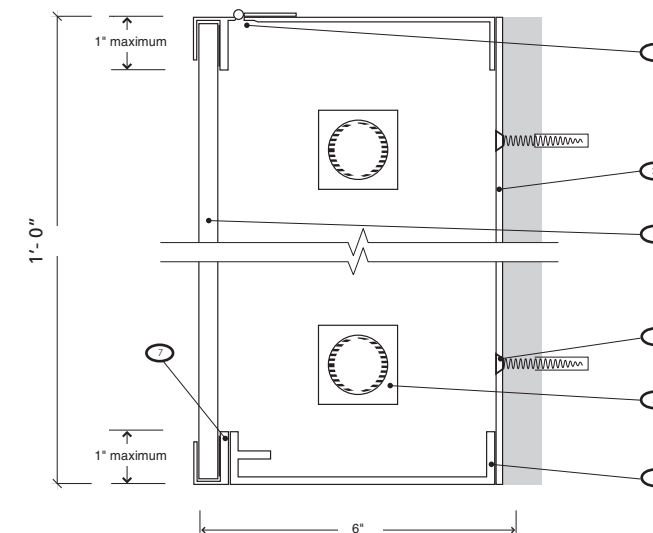
SIGN FACE LAYOUT

Scale: 3/4" = 1'-0"



ELEVATION

Scale: N.T.S.



DETAIL

Scale: N.T.S.

Overhead - Directional **ST - 308**

DESCRIPTION: 2 directional - 1 level of messaging.

LOCATION: Parking garages overhead vehicular traffic.

MATERIALS: Extruded aluminum sign face structure with removable face panel.

LETTERING:
 A Swiss721 BT Bold
 B Swiss721 Blk BT

SYMBOLGY: Refer to Section 2.2.2

- COLORS:**
- 1 Background: 3M Opaque Film #7725-12 or approved equal (Black)
 - 2 Text: Translucent Acrylic (White)
 - 3 Band: Translucent Acrylic (White)
 - 4 Symbol: Translucent Acrylic (White)
 - 5 Arrow: Translucent Acrylic (White)
 - 6 Terminal I.D:
 Terminal A 3M#230/230-127 (Intense Blue)
 Terminal B 3M#230/230-33 (Red)
 Terminal C 3M#230/230-26 (Green)
 Terminal D 3M#220-98 (Dark Violet)
 - 7 Arrow circle: 3M Opaque Film (dark Gray) # 7725-41
 - 8 Parking P 3M Vivid Blue Film # 220-17

GRAPHICS: N/A

ARROWS: 6"

MOUNTING: Soffit Mounted.

ILLUMINATION: Sign will be Internally Illuminated.

REMARKS: Refer to Section 2.5 for vinyl specifications

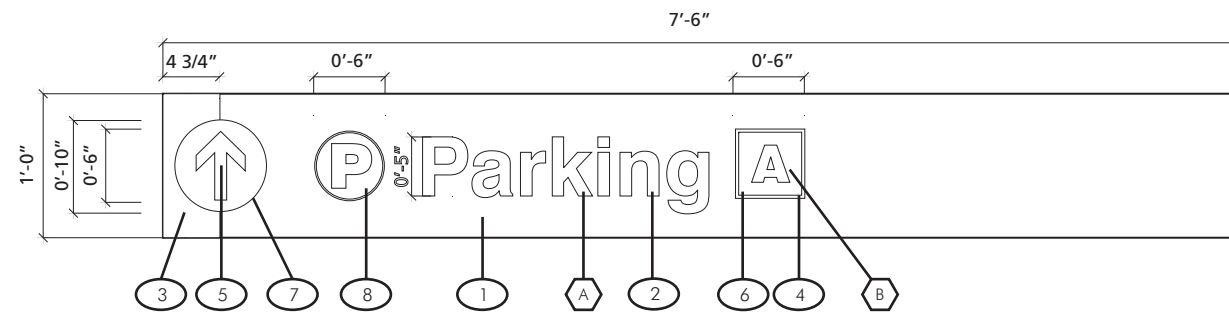
NOTES:

- 1 Extruded Aluminum box section with continuous length of hinge along top edge. Provide flashing gasket and/or trim as needed to make weather tight case for extreme exterior conditions.
- 2 Back panel - Aluminum with welded corners ground smooth.
- 3 3/8" thick milk White polycarbonate.
- 4 Fasteners as needed to secure to various exterior wall conditions.
- 5 Fluorescent lamps T12 3500 K at intervals needed for even illumination across graphic panels.
- 6 Aluminum channel frame.
- 7 Magnetic catch at bottom and sides as needed.

Directional Signs - Vehicular **3.5.1**

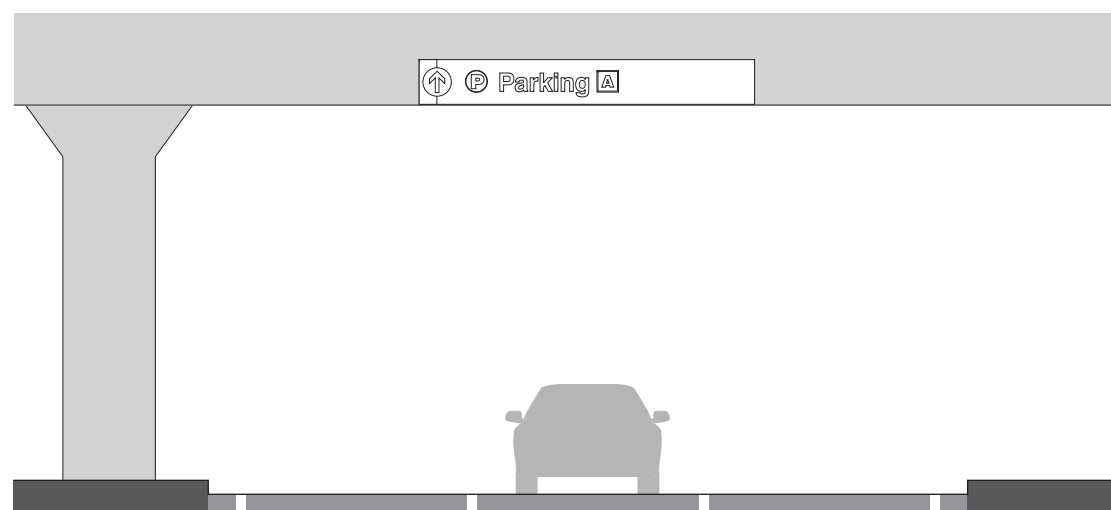


#	Revision	Date



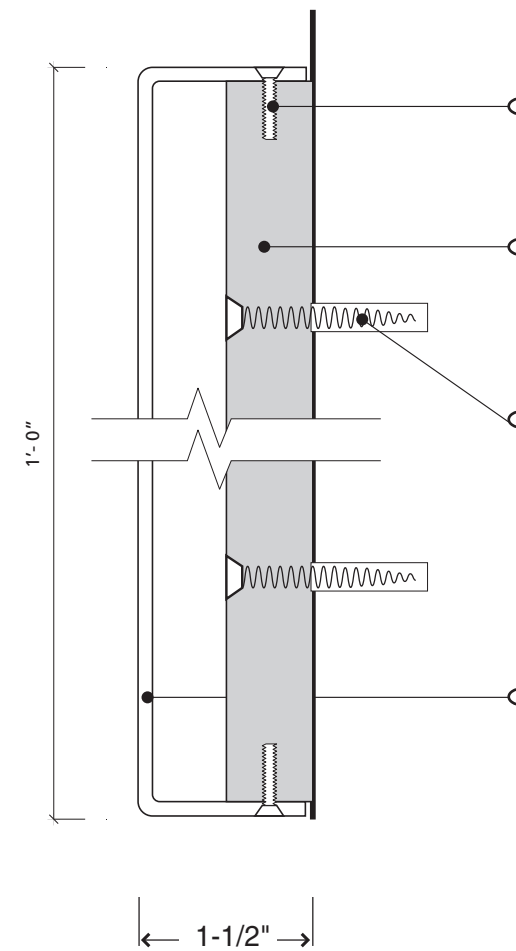
SIGN FACE LAYOUT

Scale: 3/4" = 1'-0"



ELEVATION

Scale: N.T.S.



DETAIL

Scale: N.T.S.

Overhead - Directional **ST - 309**

DESCRIPTION: 1 directional- 1 level of messaging.

LOCATION: Parking garages overhead vehicular traffic.

MATERIALS: Fabricated stainless steel panel with vinyl graphics.

LETTERING:
 A Swiss721 BT Bold
 B Swiss721 Blk BT

SYMBOLGY: Refer to Section 2.2.2

- COLORS:**
- 1 Background: 3M Opaque Film #7725-12 or approved equal (Black)
 - 2 Text: 3M Opaque Film #220-10 or approved equal (White)
 - 3 Band: 3M Opaque Film #220-10 or approved equal (White)
 - 4 Symbol: 3M Opaque Film #220-10 or approved equal (White)
 - 5 Arrow: 3M Opaque Film #220-10 or approved equal (White)
 - 6 Terminal I.D:
 Terminal A 3M#230/230-127 (Intense Blue)
 Terminal B 3M#230/230-33 (Red)
 Terminal C 3M#230/230-26 (Green)
 Terminal D 3M#220-98 (Dark Violet)
 - 7 Arrow circle: 3M Opaque Film (dark Gray) # 7725-41
 - 8 Parking P 3M Vivid Blue Film # 220-17

GRAPHICS: N/A

ARROWS: 6"

MOUNTING: Soffit Mounted.

ILLUMINATION: Sign will be Non Illuminated.

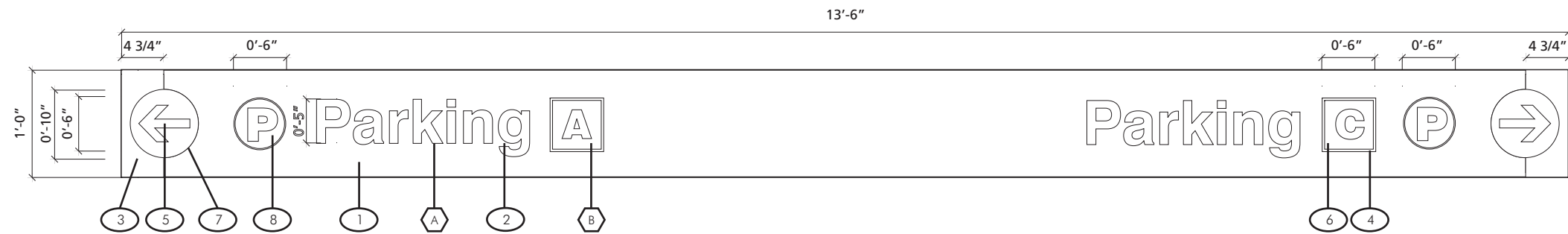
REMARKS: Refer to Section 2.5 for vinyl specifications

- NOTES:**
- 1 Counter sunk tamper-proof screw connection between panel and PVC strips as needed.
 - 2 3/4" PVC, 3" wide strips
 - 3 Fasteners vary for wall connections. (Verify with Architectural drawings for appropriate types.)
 - 4 0.090" Aluminum break formed panel.

Directional Signs - Vehicular **3.5.1**

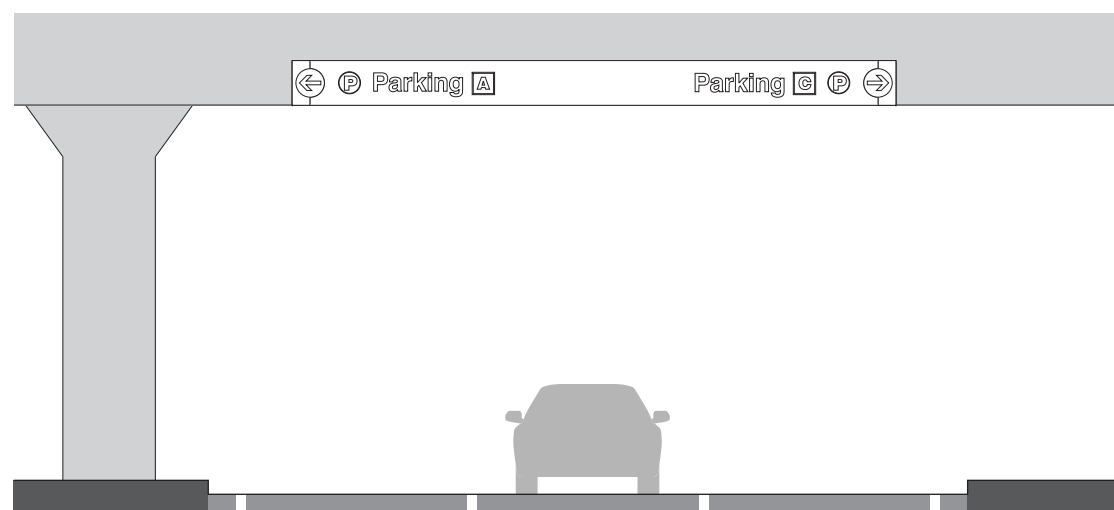


#	Revision	Date



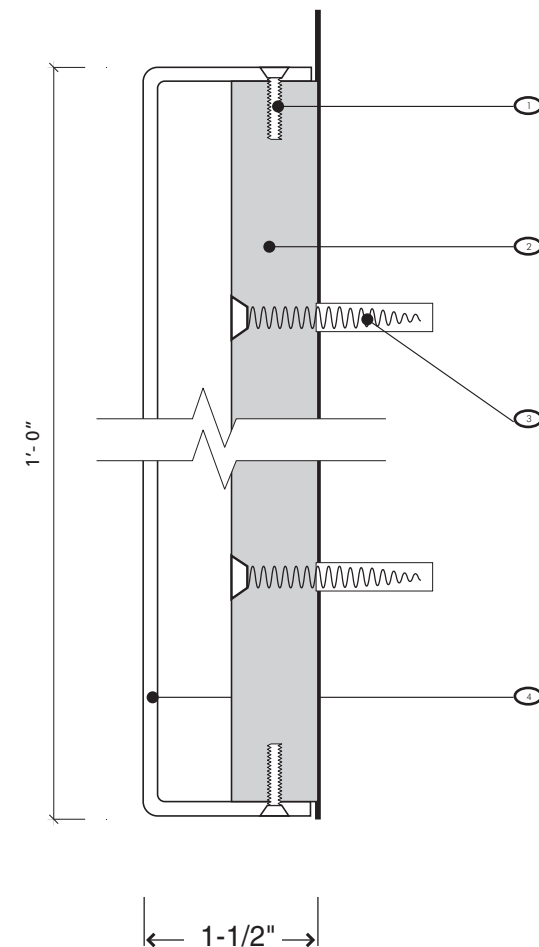
SIGN FACE LAYOUT

Scale: 3/4" = 1'-0"



ELEVATION

Scale: N.T.S.



DETAIL

Scale: N.T.S.

Overhead - Directional **ST - 310**

DESCRIPTION: 2 directional - 1 level of messaging.

LOCATION: Parking garages overhead vehicular traffic.

MATERIALS: Fabricated stainless steel panel with vinyl graphics.

LETTERING:
 A Swiss721 BT Bold
 B Swiss721 Blk BT

SYMBOLOLOGY: Refer to Section 2.2.2

- COLORS:**
- 1 Background: 3M Opaque Film #7725-12 or approved equal (Black)
 - 2 Text: 3M Opaque Film #220-10 or approved equal (White)
 - 3 Band: 3M Opaque Film #220-10 or approved equal (White)
 - 4 Symbol: 3M Opaque Film #220-10 or approved equal (White)
 - 5 Arrow: 3M Opaque Film #220-10 or approved equal (White)
 - 6 Terminal I.D:
 Terminal A 3M#230/230-127 (Intense Blue)
 Terminal B 3M#230/230-33 (Red)
 Terminal C 3M#230/230-26 (Green)
 Terminal D 3M#220-98 (Dark Violet)
 - 7 Arrow circle: 3M Opaque Film (dark Gray) # 7725-41
 - 8 Parking P 3M Vivid Blue Film # 220-17

GRAPHICS: N/A

ARROWS: 6"

MOUNTING: Soffit Mounted.

ILLUMINATION: Sign will be Non Illuminated.

REMARKS: Refer to Section 2.5 for vinyl specifications

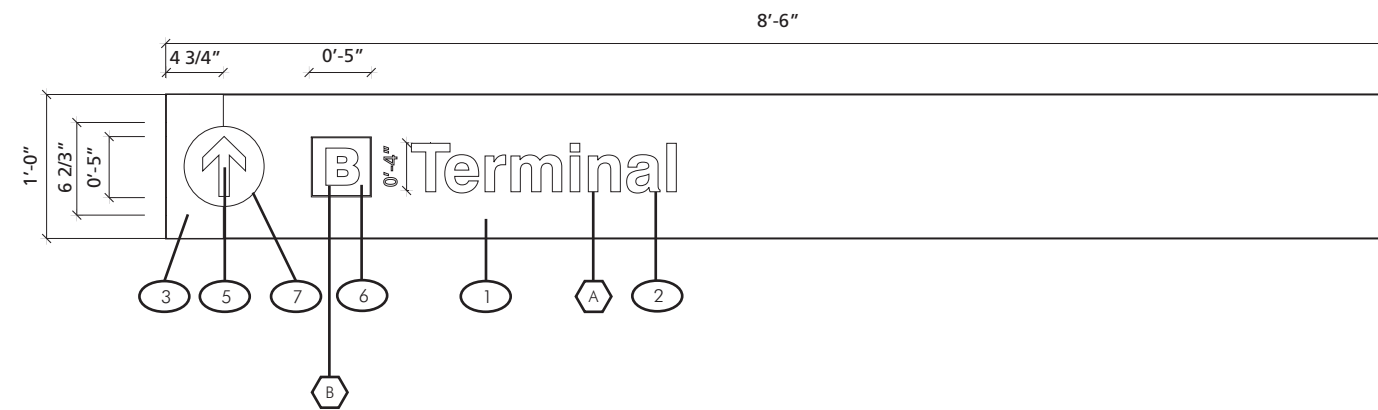
NOTES:

- 1 Counter sunk tamper-proof screw connection between panel and PVC strips as needed.
- 2 3/4" PVC, 3" wide strips
- 3 Fasteners vary for wall connections. (Verify with Architectural drawings for appropriate types.)
- 4 0.090" Aluminum break formed panel.

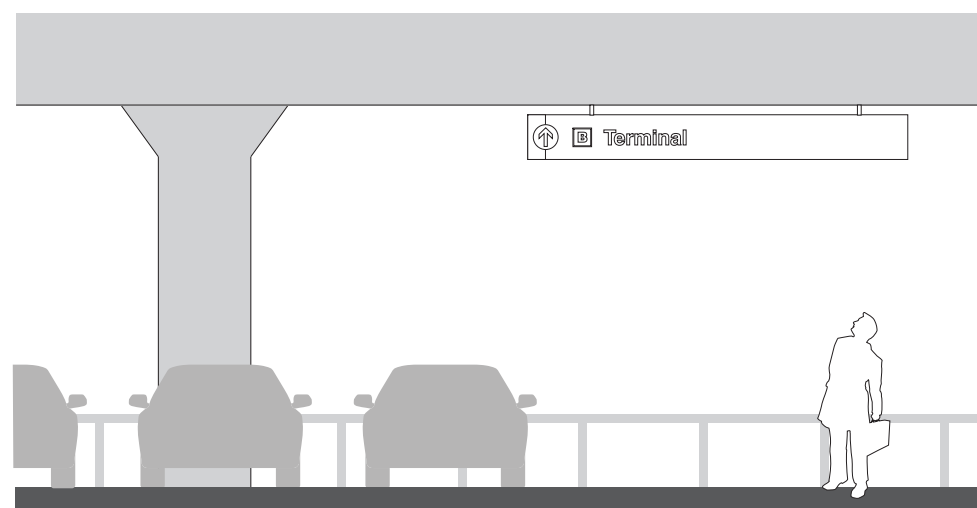
Directional Signs - Vehicular **3.5.1**



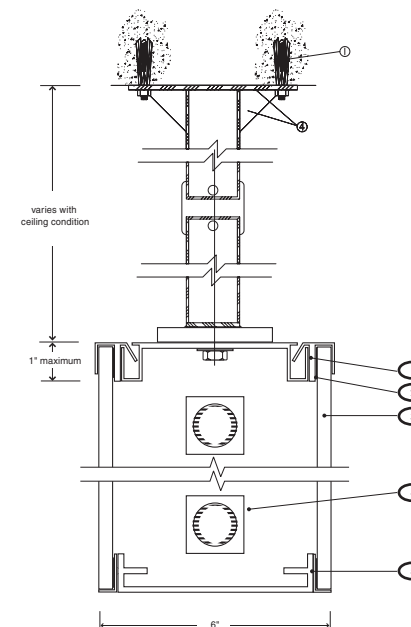
#	Revision	Date



SIGN FACE LAYOUT
Scale: 3/4" = 1'-0"



ELEVATION
Scale: N.T.S.



Overhead - Directional **ST - 321**

DESCRIPTION: 1 directional - 1 level of messaging.

LOCATION: Pedestrian Walkways from garage to terminals and elevator lobbies.

MATERIALS: Extruded aluminum sign face structure with removable face panel.

LETTERING:
 A Swiss721 BT Bold
 B Swiss721 Blk BT

SYMBOLGY: Refer to Section 2.2.2

- COLORS:**
- 1 Background: 3M Opaque Film #7725-12 or approved equal (Black)
 - 2 Text: Translucent Acrylic (White)
 - 3 Band: Translucent Acrylic (White)
 - 4 Symbol: Translucent Acrylic (White)
 - 5 Arrow: Translucent Acrylic (White)
 - 6 Terminal I.D:
 Terminal A 3M#230/230-127 (Intense Blue)
 Terminal B 3M#230/230-33 (Red)
 Terminal C 3M#230/230-26 (Green)
 Terminal D 3M#220-98 (Dark Violet)
 - 7 Arrow circle: 3M Opaque Film (dark Gray) #7725-41
 - 8 Parking P 3M Vivid Blue Film #220-17

GRAPHICS: N/A

ARROWS: 5"

MOUNTING: Ceiling Suspended.

ILLUMINATION: Sign will be Internally Illuminated.

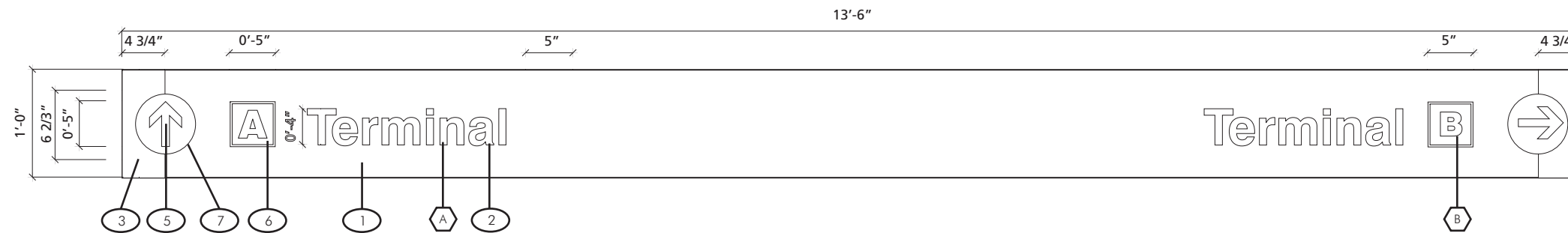
REMARKS: Refer to Section 2.5 for vinyl specifications

NOTES:

- 1 Cabinet sides and all exposed edges painted black.
- 2 Aluminum channel frame
- 3 3/8" thick milk White polycarbonate. Paint surface of graphics panel solid Black with text and symbols White or colors as noted in layouts.
- 4 Fluorescent lamps T12 3500K at intervals needed for even illumination across graphics.
- 5 Magnetic closure at bottom edge to secure

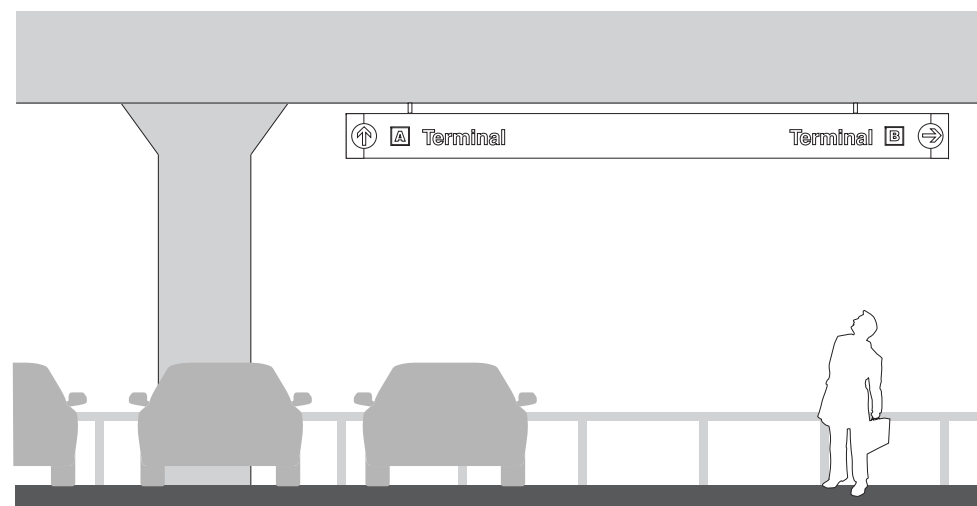
Directional Signs - Pedestrian **3.5.1**

#	Revision	Date



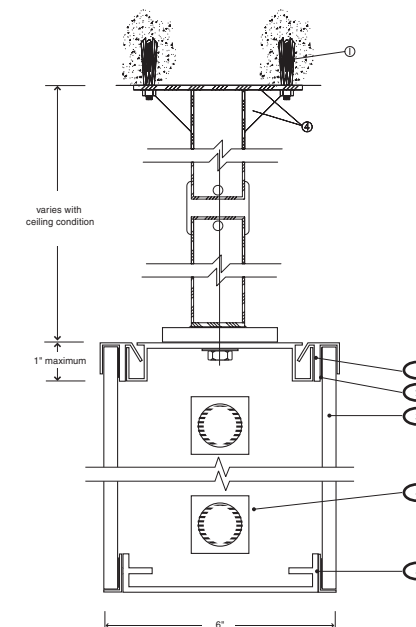
SIGN FACE LAYOUT

Scale: 3/4" = 1'-0"



ELEVATION

Scale: N.T.S.



Overhead - Directional **ST - 322**

DESCRIPTION: 2 directional - 1 level of messaging.

LOCATION: Pedestrian Walkways from garage to terminals and elevator lobbies.

MATERIALS: Extruded aluminum sign face structure with removable face panel.

LETTERING:
 A Swiss721 BT Bold
 B Swiss721 Blk BT

SYMBOLGY: Refer to Section 2.2.2

- COLORS:**
- 1 Background: 3M Opaque Film #7725-12 or approved equal (Black)
 - 2 Text: Translucent Acrylic (White)
 - 3 Band: Translucent Acrylic (White)
 - 4 Symbol: Translucent Acrylic (White)
 - 5 Arrow: Translucent Acrylic (White)
 - 6 Terminal I.D:
 Terminal A 3M#230/230-127 (Intense Blue)
 Terminal B 3M#230/230-33 (Red)
 Terminal C 3M#230/230-26 (Green)
 Terminal D 3M#220-98 (Dark Violet)
 - 7 Arrow circle: 3M Opaque Film (dark Gray) # 7725-41
 - 8 Parking P 3M Vivid Blue Film # 220-17

GRAPHICS: N/A

ARROWS: 5"

MOUNTING: Ceiling Suspended.

ILLUMINATION: Sign will be Internally Illuminated.

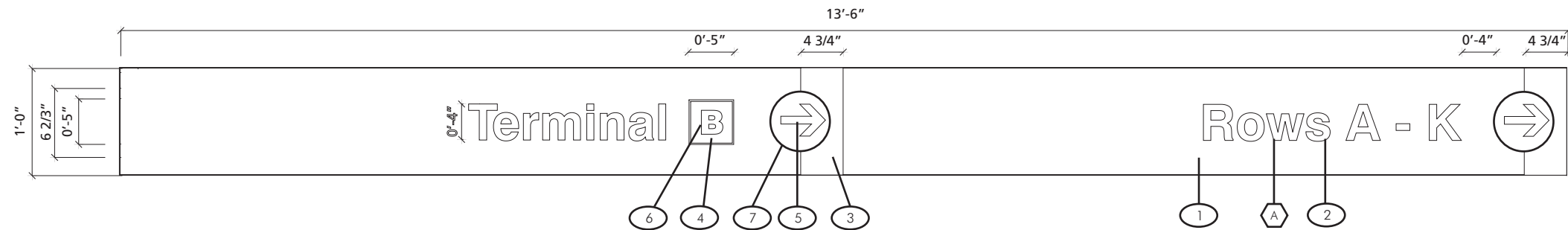
REMARKS: Refer to Section 2.5 for vinyl specifications

NOTES:

- 1 Cabinet sides and all exposed edges Painted black.
- 2 Aluminum channel frame
- 3 3/8" thick milk White polycarbonate. Paint surface of graphics panel solid Black with text and symbols White or colors as noted in layouts.
- 4 Fluorescent lamps T12 3500K at intervals needed for even illumination across graphics.
- 5 Magnetic closure at bottom edge to secure

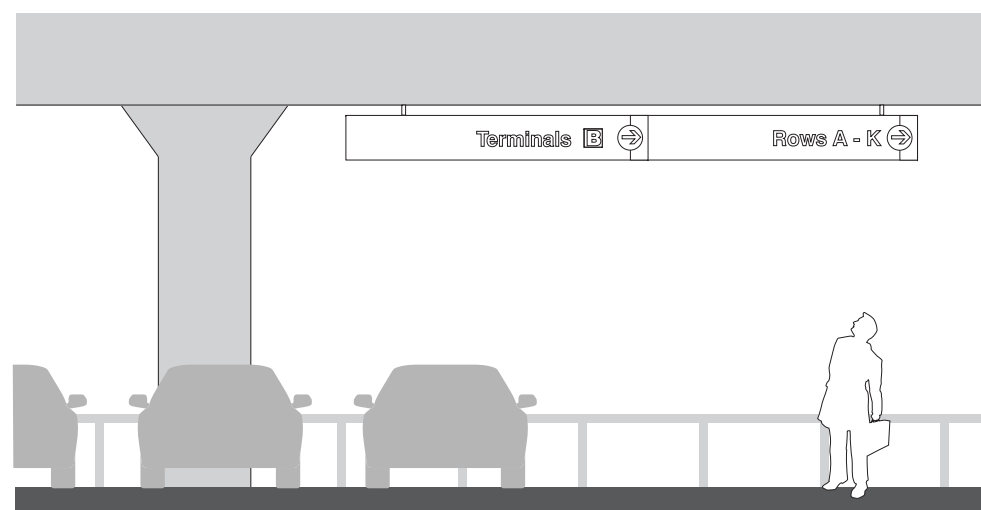
Directional Signs - Pedestrian **3.5.1**

#	Revision	Date



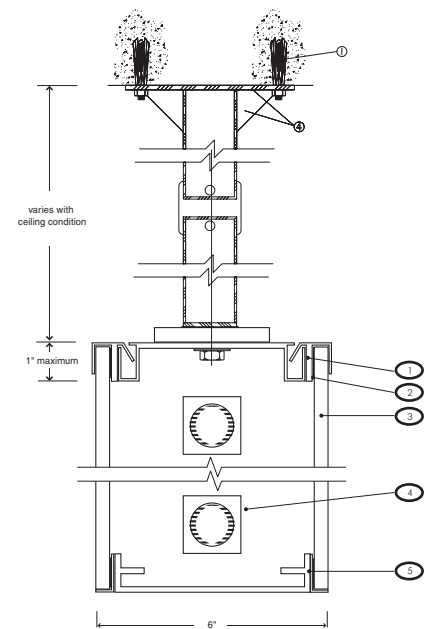
SIGN FACE LAYOUT

Scale: 3/4" = 1'-0"



ELEVATION

Scale: N.T.S.



Overhead - Directional **ST - 323**

DESCRIPTION: 1 directional - 2 levels of messaging.

LOCATION: Pedestrian Walkways from garage to terminals and elevator lobbies.

MATERIALS: Extruded aluminum sign face structure with removable face panel.

LETTERING:
 A Swiss721 BT Bold
 B Swiss721 Blk BT

SYMBOLGY: Refer to Section 2.2.2

- COLORS:**
- 1 Background: 3M Opaque Film #7725-12 or approved equal (Black)
 - 2 Text: Translucent Acrylic (White)
 - 3 Band: Translucent Acrylic (White)
 - 4 Symbol: Translucent Acrylic (White)
 - 5 Arrow: Translucent Acrylic (White)
 - 6 Terminal I.D.:
 Terminal A 3M#230/230-127 (Intense Blue)
 Terminal B 3M#230/230-33 (Red)
 Terminal C 3M#230/230-26 (Green)
 Terminal D 3M#220-98 (Dark Violet)
 - 7 Arrow circle: 3M Opaque Film (dark Gray) #7725-41

GRAPHICS: N/A

ARROWS: 5"

MOUNTING: Ceiling Suspended.

ILLUMINATION: Sign will be Internally Illuminated.

REMARKS: Refer to Section 2.5 for vinyl specifications

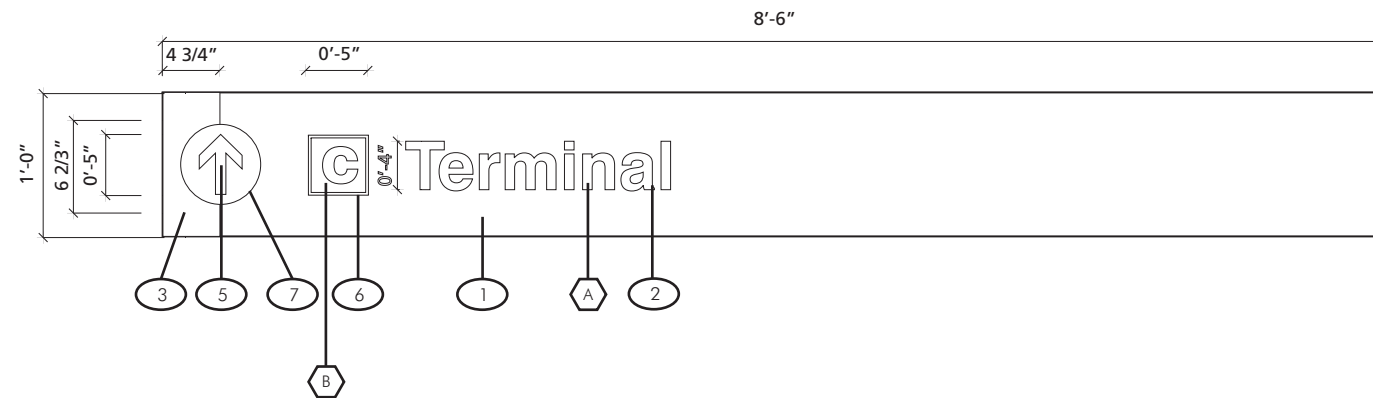
NOTES:

- 1 Cabinet sides and all exposed edges Painted black.
- 2 Aluminum channel frame
- 3 3/8" thick milk White polycarbonate. Paint surface of graphics panel solid Black with text and symbols White or colors as noted in layouts.
- 4 Fluorescent lamps T12 3500K at intervals needed for even illumination across graphics.
- 5 Magnetic closure at bottom edge to secure

Directional Signs - Pedestrian **3.5.1**

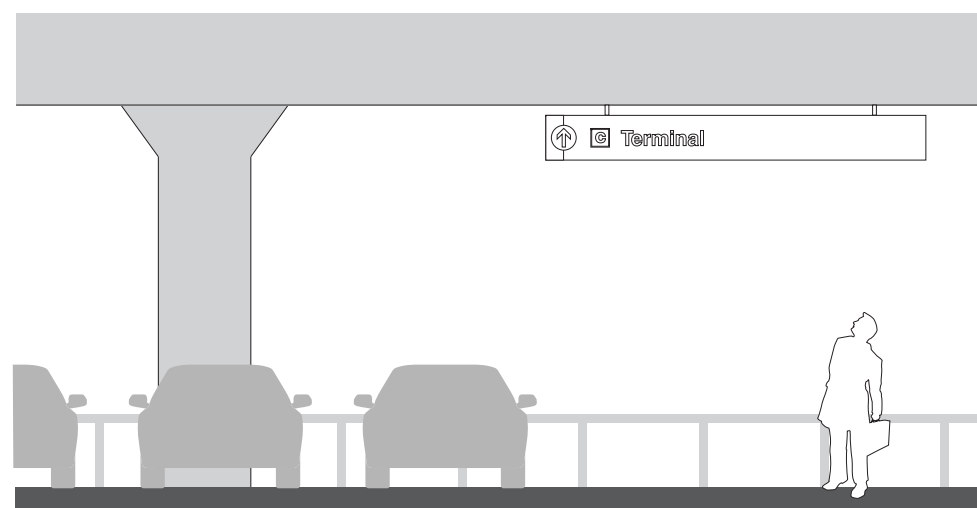


#	Revision	Date



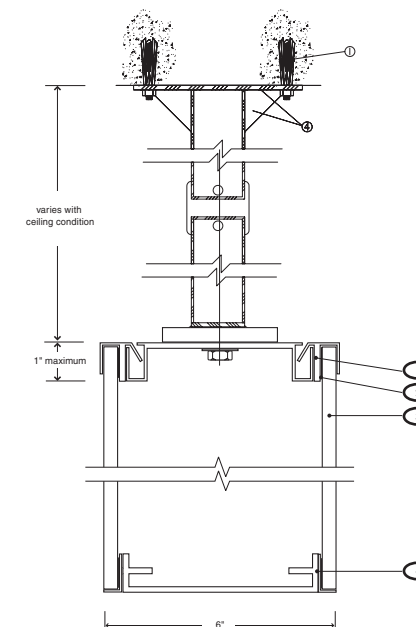
SIGN FACE LAYOUT

Scale: 3/4"=1'-0"



ELEVATION

Scale: N.T.S.



Overhead - Directional **ST - 324**

DESCRIPTION: 1 directional- 1 level of messaging.

LOCATION: Pedestrian Walkways from garage to terminals and elevator lobbies.

MATERIALS: Fabricated stainless steel panel with vinyl graphics.

LETTERING:
 A Swiss721 BT Bold
 B Swiss721 Blk BT

SYMBOLGY: Refer to Section 2.2.2

- COLORS:**
- 1 Background: 3M Opaque Film #7725-12 or approved equal (Black)
 - 2 Text: 3M Opaque Film #220-10 or approved equal (White)
 - 3 Band: 3M Opaque Film #220-10 or approved equal (White)
 - 4 Symbol: 3M Opaque Film #220-10 or approved equal (White)
 - 5 Arrow: 3M Opaque Film #220-10 or approved equal (White)
 - 6 Terminal I.D:
 Terminal A 3M#230/230-127 (Intense Blue)
 Terminal B 3M#230/230-33 (Red)
 Terminal C 3M#230/230-26 (Green)
 Terminal D 3M#220-98 (Dark Violet)
 - 7 Arrow circle: 3M Opaque Film (dark Gray) #7725-41

GRAPHICS: N/A

ARROWS: 5"

MOUNTING: Ceiling Suspended.

ILLUMINATION: Sign will be Non Illuminated.

REMARKS: Refer to Section 2.5 for vinyl specifications

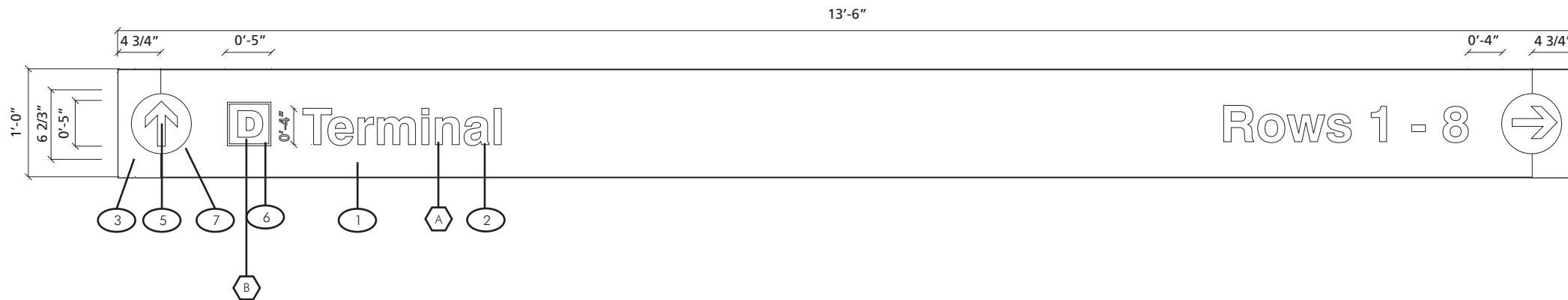
NOTES:

- 1 Cabinet sides and all exposed edges painted black.
- 2 Aluminum channel frame
- 3 3/8" thick milk White polycarbonate. Paint surface of graphics panel solid Black with text and symbols White or colors as noted in layouts.
- 4 Magnetic closure at bottom edge to secure

Directional Signs - Pedestrian **3.5.1**

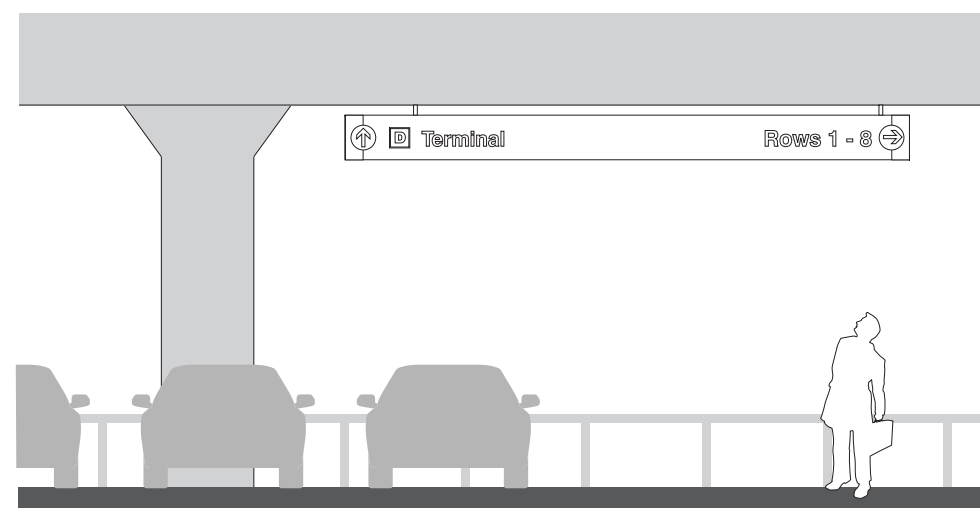


#	Revision	Date



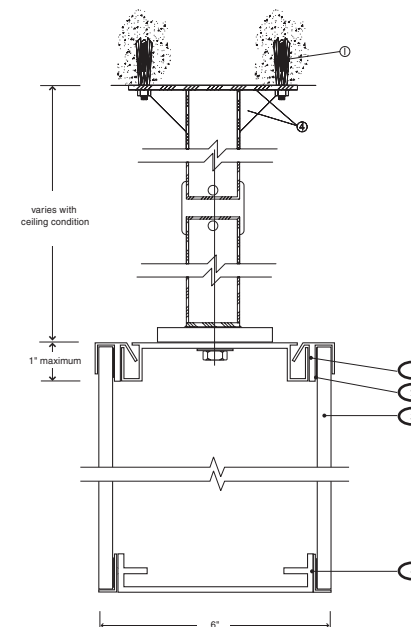
SIGN FACE LAYOUT

Scale: 3/4" = 1'-0"



ELEVATION

Scale: N.T.S.



Overhead - Directional ST - 325

DESCRIPTION: 2 directional - 1 level of messaging.

LOCATION: Pedestrian Walkways from garage to terminals and elevator lobbies.

MATERIALS: Fabricated stainless steel panel with vinyl graphics.

LETTERING:
 A Swiss721 BT Bold
 B Swiss721 Blk BT

SYMBOLGY: Refer to Section 2.2.2

- COLORS:**
- 1 Background: 3M Opaque Film #7725-12 or approved equal (Black)
 - 2 Text: 3M Opaque Film #220-10 or approved equal (White)
 - 3 Band: 3M Opaque Film #220-10 or approved equal (White)
 - 4 Symbol: 3M Opaque Film #220-10 or approved equal (White)
 - 5 Arrow: 3M Opaque Film #220-10 or approved equal (White)
 - 6 Terminal I.D:
 Terminal A 3M#230/230-127 (Intense Blue)
 Terminal B 3M#230/230-33 (Red)
 Terminal C 3M#230/230-26 (Green)
 Terminal D 3M#220-98 (Dark Violet)
 - 7 Arrow circle: 3M Opaque Film (dark Gray) #7725-41

GRAPHICS: N/A

ARROWS: 5"

MOUNTING: Ceiling Suspended.

ILLUMINATION: Sign will be Non Illuminated.

REMARKS: Refer to Section 2.5 for vinyl specifications

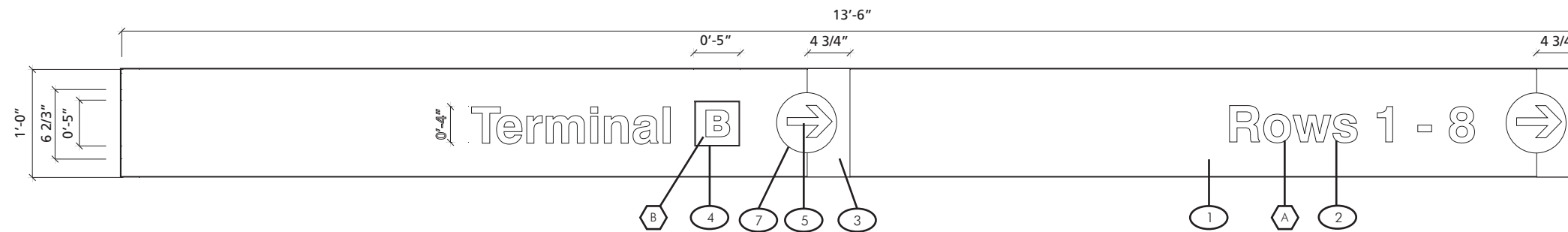
NOTES:

- 1 Cabinet sides and all exposed edges painted black.
- 2 Aluminum channel frame
- 3 3/8" thick milk White polycarbonate. Paint surface of graphics panel solid Black with text and symbols White or colors as noted in layouts.
- 4 Magnetic closure at bottom edge to secure

Directional Signs - Pedestrian 3.5.1

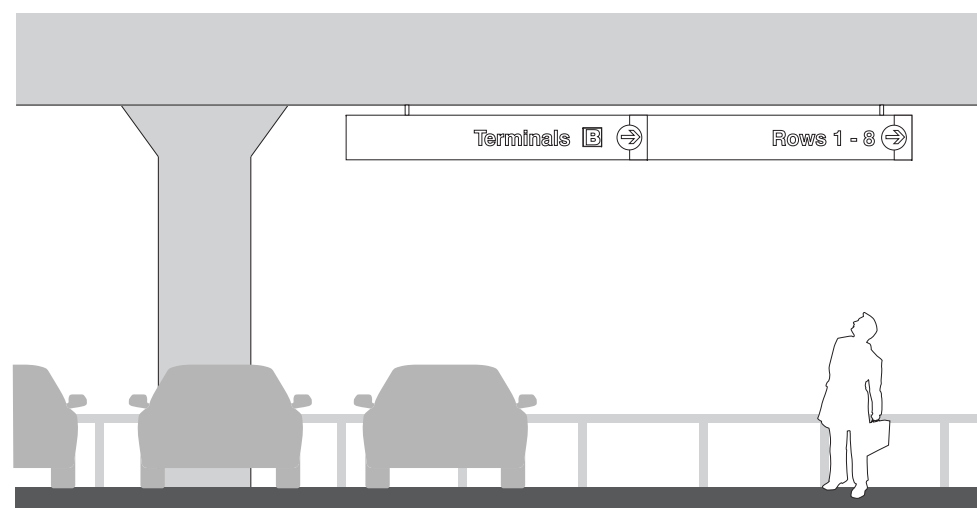


#	Revision	Date



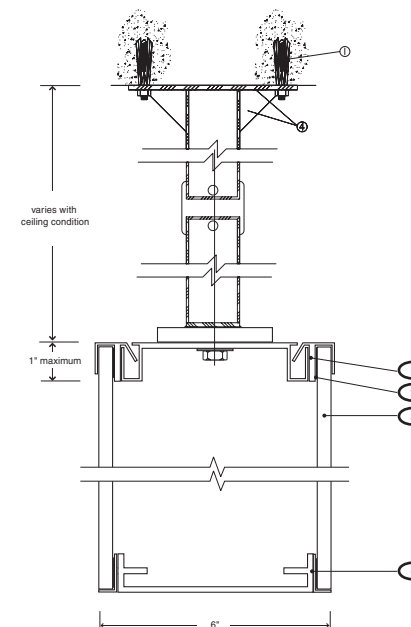
SIGN FACE LAYOUT

Scale: 3/4" = 1'-0"



ELEVATION

Scale: N.T.S.



Overhead - Directional ST - 326

DESCRIPTION: 1 directional - 2 levels of messaging.

LOCATION: Pedestrian Walkways from garage to terminals and elevator lobbies.

MATERIALS: Fabricated stainless steel panel with vinyl graphics.

LETTERING:
 A Swiss721 BT Bold
 B Swiss721 Blk BT

SYMBOLGY: Refer to Section 2.2.2

- COLORS:**
- 1 Background: 3M Opaque Film #7725-12 or approved equal (Black)
 - 2 Text: 3M Opaque Film #220-10 or approved equal (White)
 - 3 Band: 3M Opaque Film #220-10 or approved equal (White)
 - 4 Symbol: 3M Opaque Film #220-10 or approved equal (White)
 - 5 Arrow: 3M Opaque Film #220-10 or approved equal (White)
 - 6 Terminal I.D:
 Terminal A 3M#230/230-127 (Intense Blue)
 Terminal B 3M#230/230-33 (Red)
 Terminal C 3M#230/230-26 (Green)
 Terminal D 3M#220-98 (Dark Violet)
 - 7 Arrow circle: 3M Opaque Film (dark Gray) #7725-41

GRAPHICS: N/A

ARROWS: 5"

MOUNTING: Ceiling Suspended.

ILLUMINATION: Sign will be Non Illuminated.

REMARKS: Refer to Section 2.5 for vinyl specifications

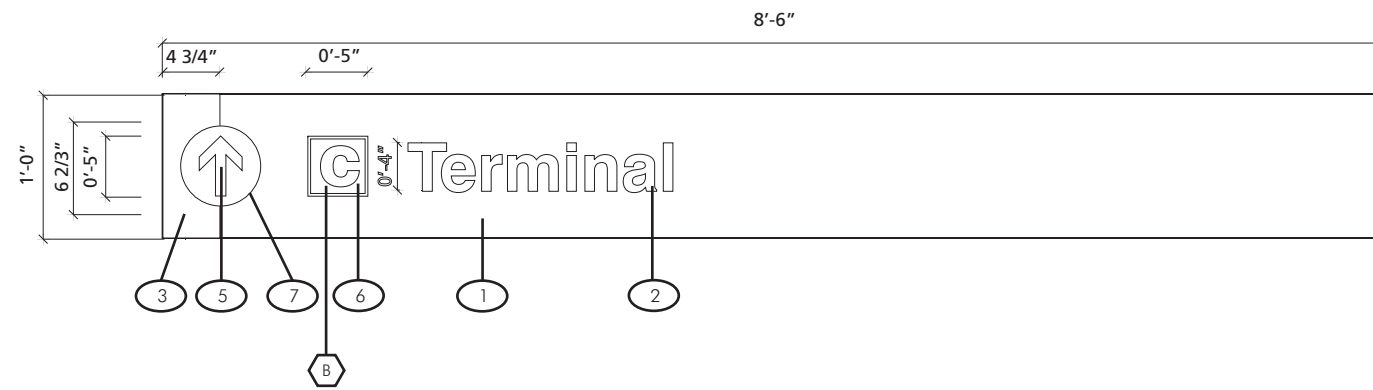
NOTES:

- 1 Cabinet sides and all exposed edges painted black.
- 2 Aluminum channel frame
- 3 3/8" thick milk White polycarbonate. Paint surface of graphics panel solid Black with text and symbols White or colors as noted in layouts.
- 4 Magnetic closure at bottom edge to secure

Directional Signs - Pedestrian 3.5.1

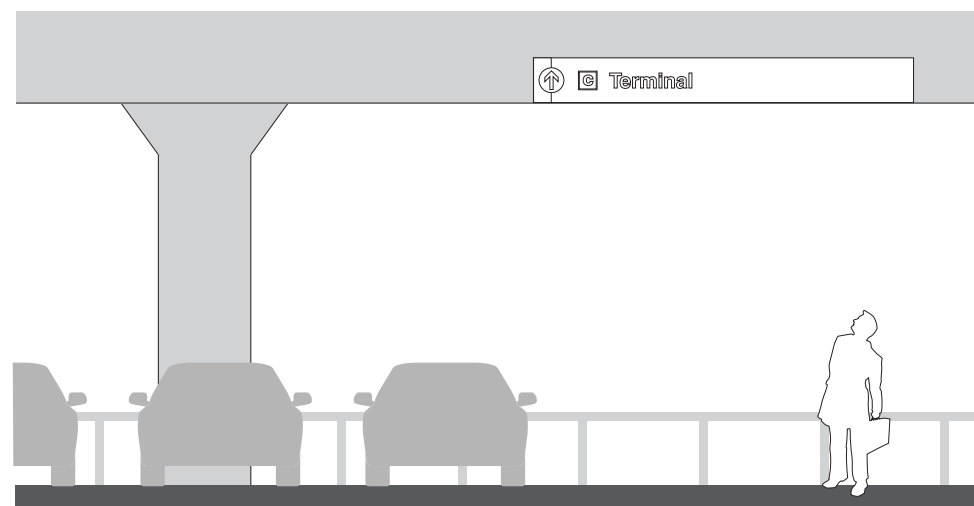


#	Revision	Date



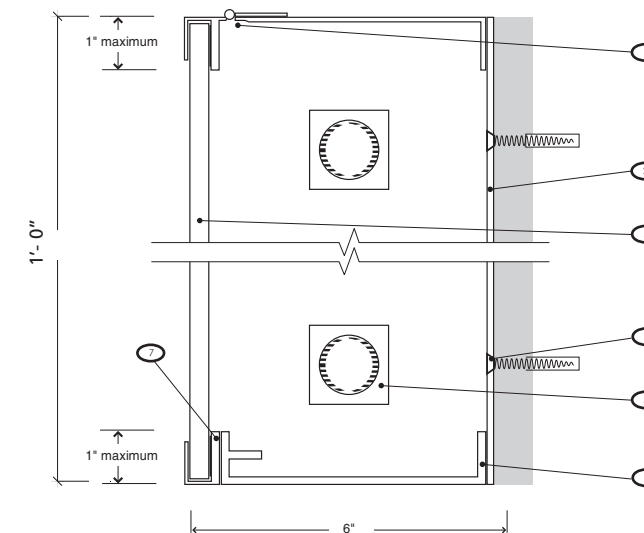
SIGN FACE LAYOUT

Scale: 3/4" = 1'-0"



ELEVATION

Scale: N.T.S.



DETAIL

Scale: N.T.S.

Overhead - Directional **ST - 327**

DESCRIPTION: 1 directional - 1 level of messaging.

LOCATION: Pedestrian Walkways from garage to terminals and elevator lobbies.

MATERIALS: Extruded aluminum sign face structure with removable face panel.

LETTERING:
 A Swiss721 BT Bold
 B Swiss721 Blk BT

SYMBOLGY: Refer to Section 2.2.2

COLORS:
 1 Background: 3M Opaque Film #7725-12 or approved equal (Black)
 2 Text: Translucent Acrylic (White)
 3 Band: Translucent Acrylic (White)
 4 Symbol: Translucent Acrylic (White)
 5 Arrow: Translucent Acrylic (White)
 6 Terminal I.D:
 Terminal A 3M#230/230-127 (Intense Blue)
 Terminal B 3M#230/230-33 (Red)
 Terminal C 3M#230/230-26 (Green)
 Terminal D 3M#220-98 (Dark Violet)
 7 Arrow circle: 3M Opaque Film (dark Gray) #7725-41

GRAPHICS: N/A

ARROWS: 5"

MOUNTING: Soffit Mounted.

ILLUMINATION: Sign will be Internally Illuminated.

REMARKS: Refer to Section 2.5 for vinyl specifications

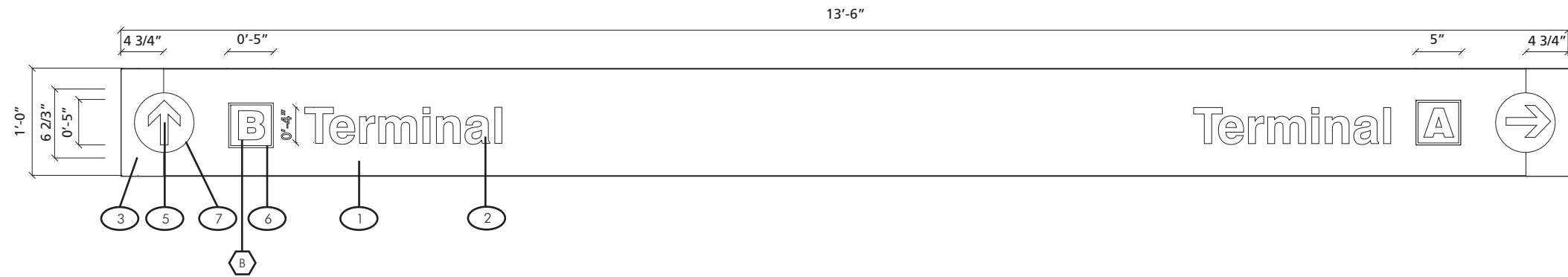
NOTES:

- 1 Extruded Aluminum box section with continuous length of hinge along top edge. Provide flashing gasket and/or trim as needed to make weather tight case for extreme exterior conditions.
- 2 Back panel - Aluminum with welded corners ground smooth.
- 3 3/8" thick milk White polycarbonate.
- 4 Fasteners as needed to secure to various exterior wall conditions.
- 5 Fluorescent lamps T12 3500 K at intervals needed for even illumination across graphic panels.
- 6 Aluminum channel frame.
- 7 Magnetic catch at bottom and sides as needed.

Directional Signs - Pedestrian **3.5.1**

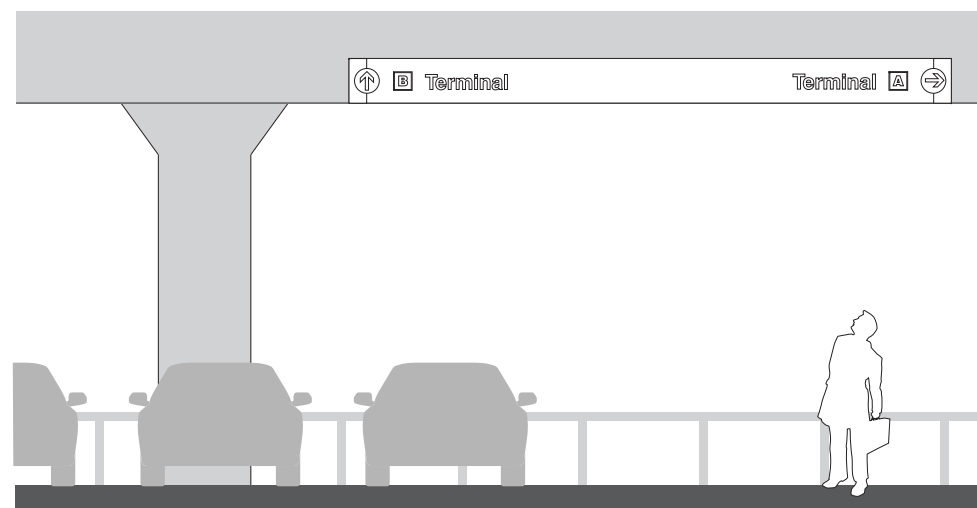


#	Revision	Date



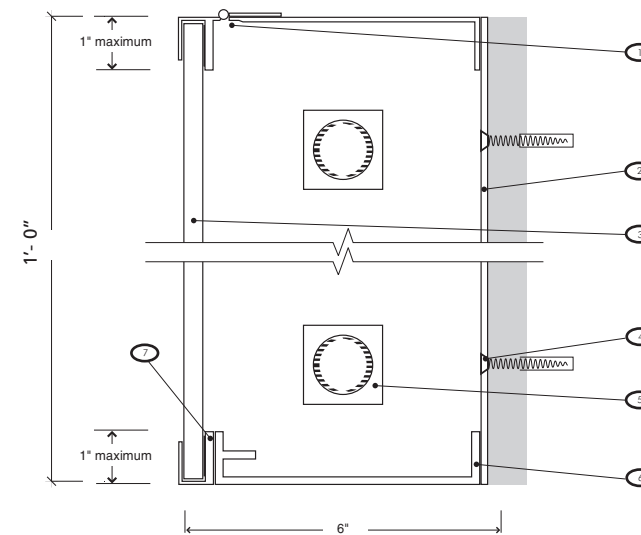
SIGN FACE LAYOUT

Scale: 3/4" = 1'-0"



ELEVATION

Scale: N.T.S.



DETAIL

Scale: N.T.S.

Overhead - Directional ST - 328

DESCRIPTION: 2 directional - 1 level of messaging.

LOCATION: Pedestrian Walkways from garage to terminals and elevator lobbies.

MATERIALS: Extruded aluminum sign face structure with removable face panel.

LETTERING:
 A Swiss721 BT Bold
 B Swiss721 Blk BT

SYMBOLGY: Refer to Section 2.2.2

COLORS:
 1 Background: 3M Opaque Film #7725-12 or approved equal (Black)
 2 Text: Translucent Acrylic (White)
 3 Band: Translucent Acrylic (White)
 4 Symbol: Translucent Acrylic (White)
 5 Arrow: Translucent Acrylic (White)
 6 Terminal I.D.:
 Terminal A 3M#230/230-127 (Intense Blue)
 Terminal B 3M#230/230-33 (Red)
 Terminal C 3M#230/230-26 (Green)
 Terminal D 3M#220-98 (Dark Violet)
 7 Arrow circle: 3M Opaque Film (dark Gray) #7725-41

GRAPHICS: N/A

ARROWS: 5"

MOUNTING: Soffit Mounted.

ILLUMINATION: Sign will be Internally Illuminated.

REMARKS: Refer to Section 2.5 for vinyl specifications

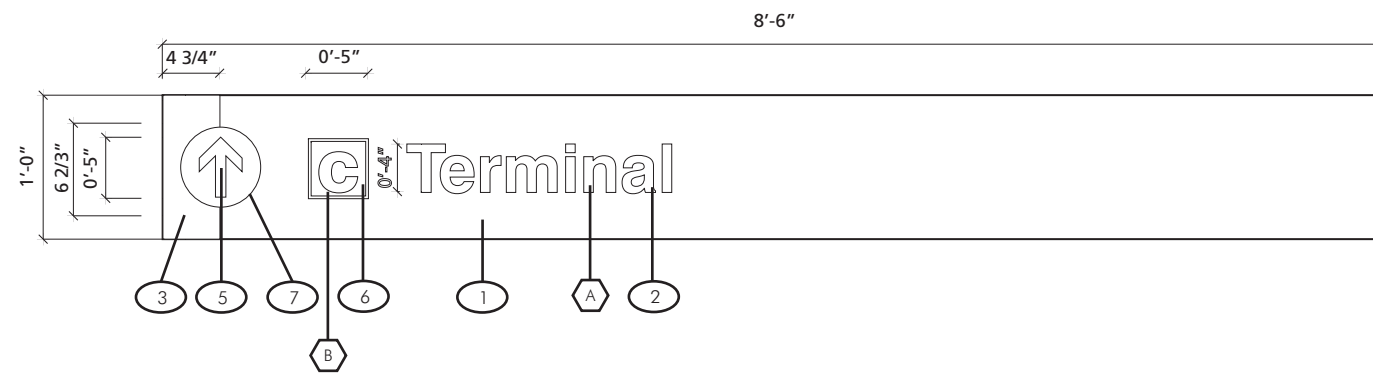
NOTES:

- 1 Extruded Aluminum box section with continuous length of hinge along top edge. Provide flashing gasket and/or trim as needed to make weather tight case for extreme exterior conditions.
- 2 Back panel - Aluminum with welded corners ground smooth.
- 3 3/8" thick milk White polycarbonate.
- 4 Fasteners as needed to secure to various exterior wall conditions.
- 5 Fluorescent lamps T12 3500 K at intervals needed for even illumination across graphic panels.
- 6 Aluminum channel frame.
- 7 Magnetic catch at bottom and sides as needed.

Directional Signs - Pedestrian 3.5.1

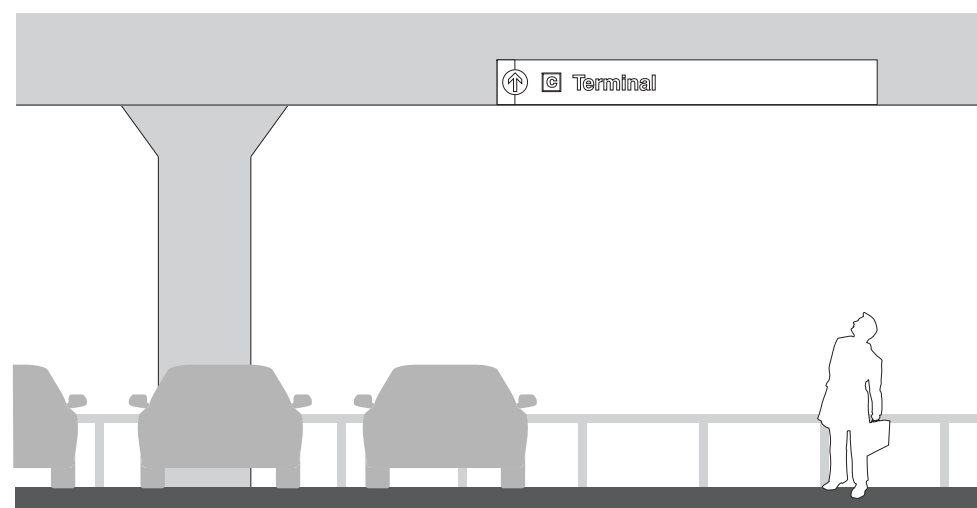


#	Revision	Date



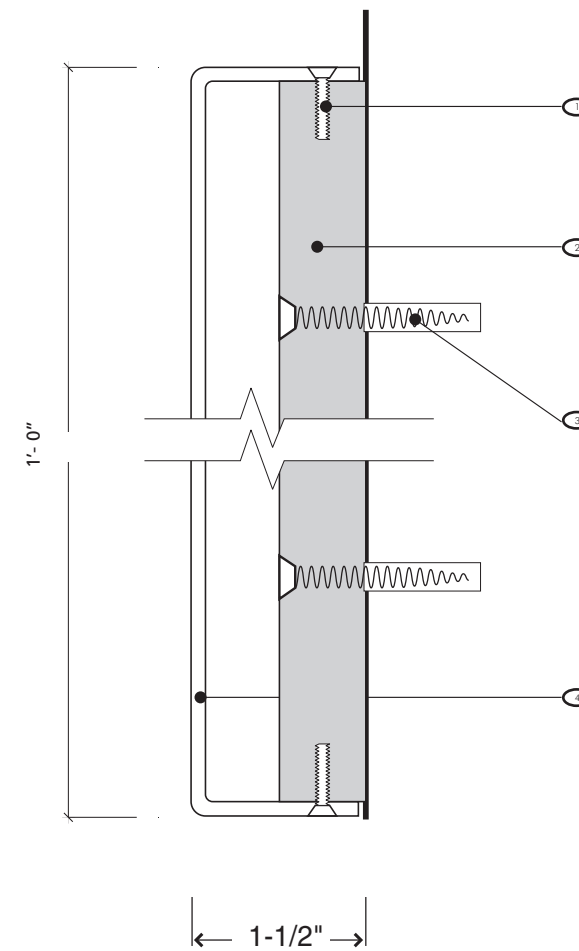
SIGN FACE LAYOUT

Scale: 3/4" = 1'-0"



ELEVATION

Scale: N.T.S.



DETAIL

Scale: N.T.S.

Overhead - Directional **ST - 329**

DESCRIPTION: 1 directional - 1 level of messaging.

LOCATION: Pedestrian Walkways from garage to terminals and elevator lobbies.

MATERIALS: Fabricated stainless steel panel with vinyl graphics.

LETTERING:
 A Swiss721 BT Bold
 B Swiss721 Blk BT

SYMBOLGY: Refer to Section 2.2.2

- COLORS:**
- 1 Background: 3M Opaque Film #7725-12 or approved equal (Black)
 - 2 Text: 3M Opaque Film #220-10 or approved equal (White)
 - 3 Band: 3M Opaque Film #220-10 or approved equal (White)
 - 4 Symbol: 3M Opaque Film #220-10 or approved equal (White)
 - 5 Arrow: 3M Opaque Film #220-10 or approved equal (White)
 - 6 Terminal I.D:
 Terminal A 3M#230/230-127 (Intense Blue)
 Terminal B 3M#230/230-33 (Red)
 Terminal C 3M#230/230-26 (Green)
 Terminal D 3M#220-98 (Dark Violet)
 - 7 Arrow circle: 3M Opaque Film (dark Gray) #7725-41

GRAPHICS: N/A

ARROWS: 5"

MOUNTING: Soffit Mounted.

ILLUMINATION: Sign will be Non Illuminated.

REMARKS: Refer to Section 2.5 for vinyl specifications

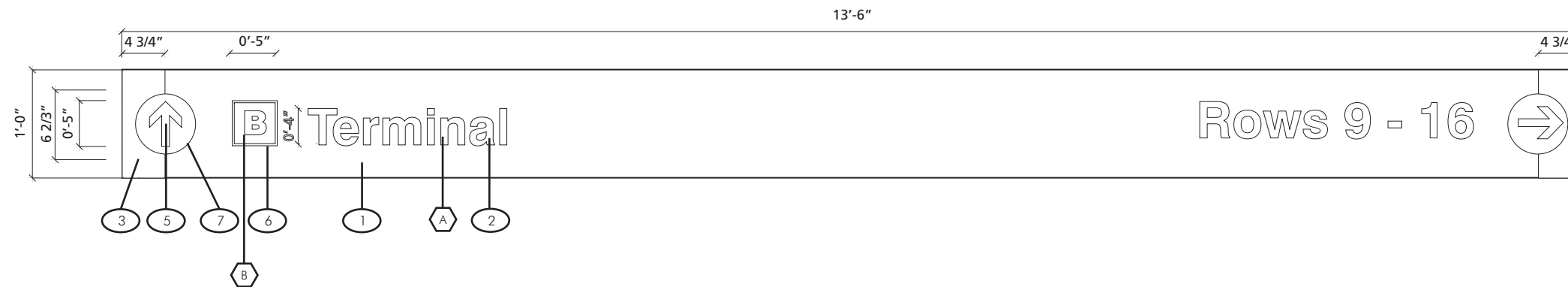
NOTES:

- 1 Counter sunk tamper-proof screw connection between panel and PVC strips as needed.
- 2 3/4" PVC, 3" wide strips
- 3 Fasteners vary for wall connections. (Verify with Architectural drawings for appropriate types.)
- 4 0.090" Aluminum break formed panel.

Directional Signs - Pedestrian **3.5.1**

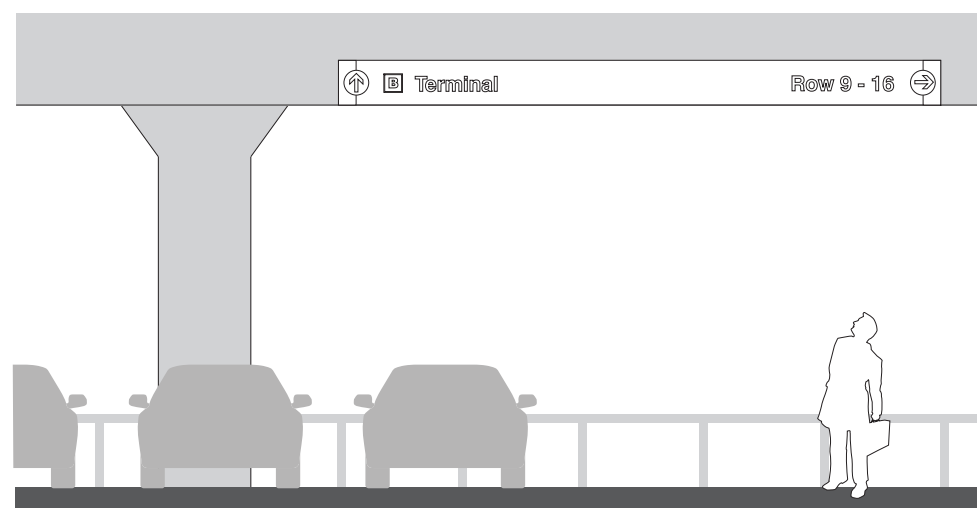


#	Revision	Date



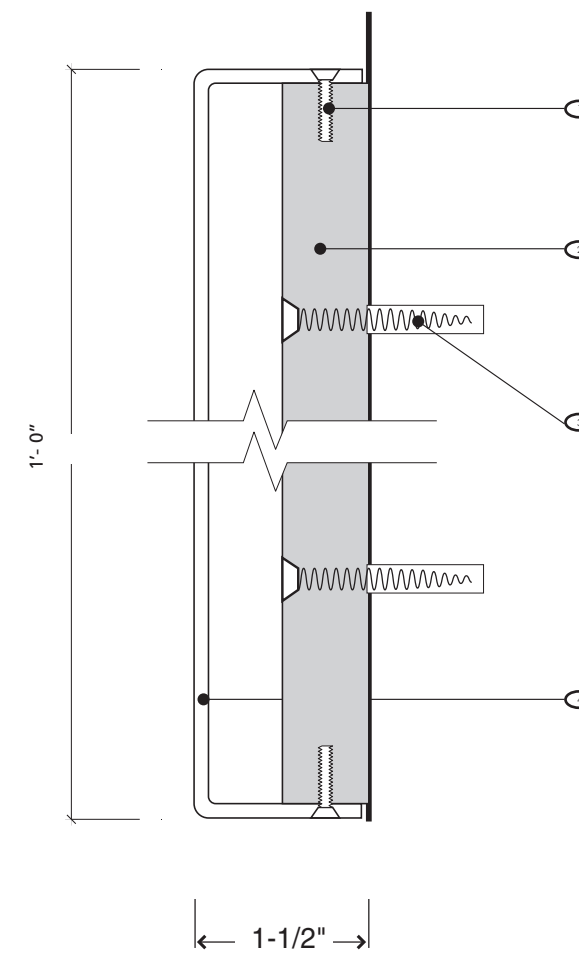
SIGN FACE LAYOUT

Scale: 3/4" = 1'-0"



ELEVATION

Scale: N.T.S.



DETAIL

Scale: N.T.S.

Overhead - Directional **ST - 330**

DESCRIPTION: 2 directional - 1 level of messaging.

LOCATION: Pedestrian Walkways from garage to terminals and elevator lobbies.

MATERIALS: Fabricated stainless steel panel with vinyl graphics.

LETTERING:
 A Swiss721 BT Bold
 B Swiss721 Blk BT

SYMBOLGY: Refer to Section 2.2.2

COLORS:
 1 Background: 3M Opaque Film #7725-12 or approved equal (Black)
 2 Text: Translucent Acrylic (White)
 3 Band: Translucent Acrylic (White)
 4 Symbol: Translucent Acrylic (White)
 5 Arrow: Translucent Acrylic (White)
 6 Terminal I.D.:
 Terminal A 3M#230/230-127 (Intense Blue)
 Terminal B 3M#230/230-33 (Red)
 Terminal C 3M#230/230-26 (Green)
 Terminal D 3M#220-98 (Dark Violet)
 7 Arrow circle: 3M Opaque Film (dark Gray) #7725-41

GRAPHICS: N/A

ARROWS: 5"

MOUNTING: Soffit Mounted.

ILLUMINATION: Sign will be Non Illuminated.

REMARKS: Refer to Section 2.5 for vinyl specifications

NOTES:

- 1 Counter sunk tamper-proof screw connection between panel and PVC strips as needed.
- 2 3/4" PVC, 3" wide strips
- 3 Fasteners vary for wall connections. (Verify with Architectural drawings for appropriate types.)
- 4 0.090" Aluminum break formed panel.

Directional Signs - Pedestrian **3.5.1**

