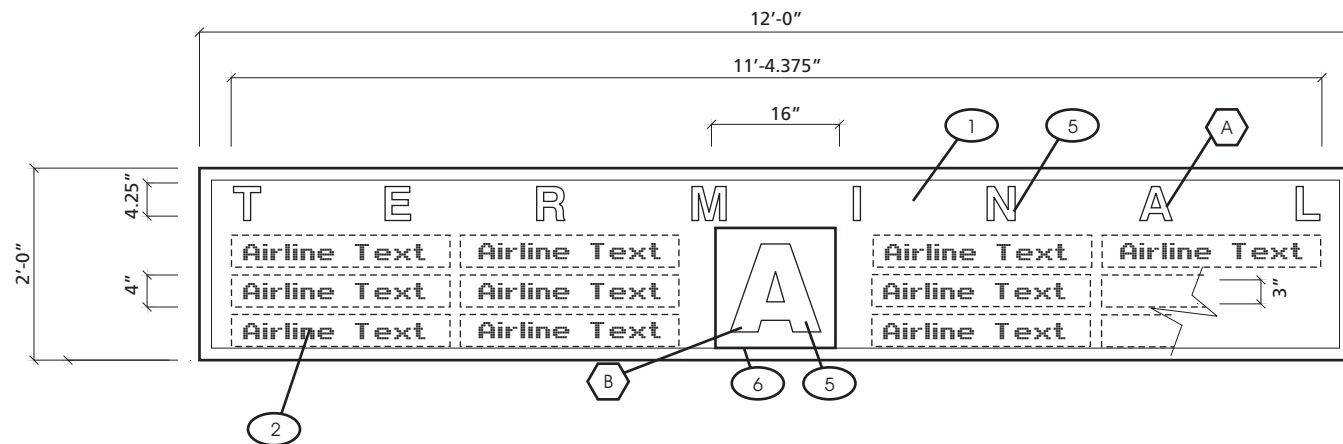
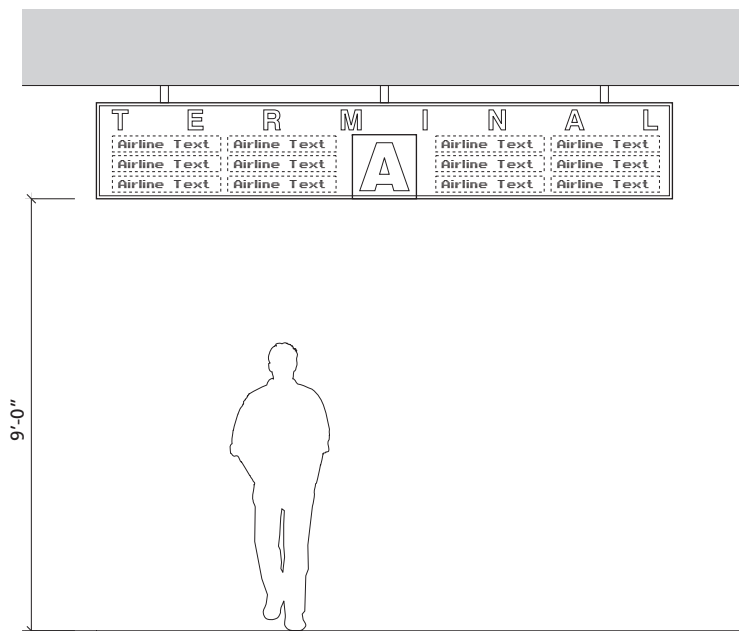


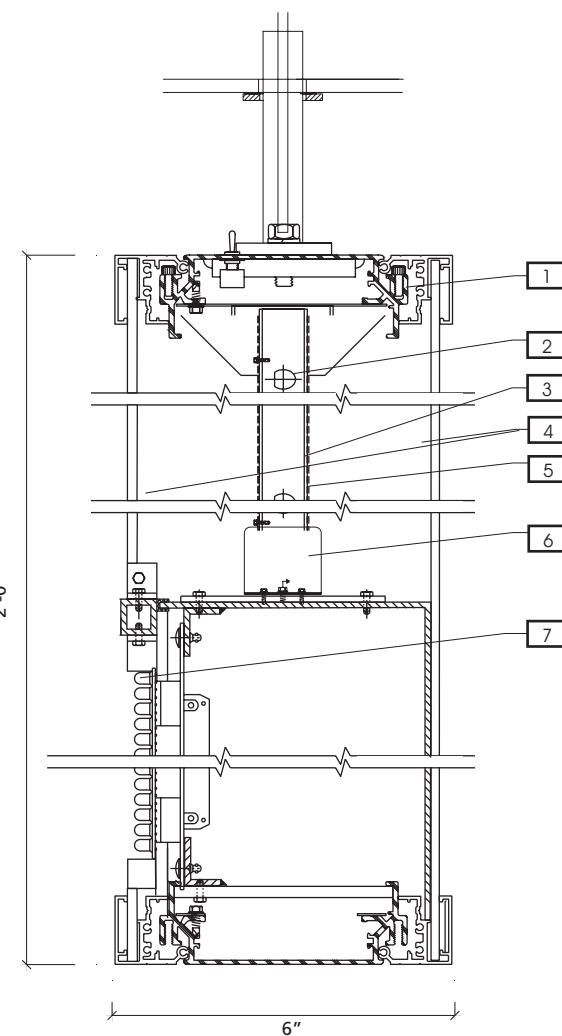
#	Revision	Date



SIGN FACE LAYOUT  
Scale: 1/2"=1'-0"



ELEVATION  
Scale: N.T.S.



DETAIL (For Design Intent Only)  
Scale: N.T.S.

Overhead - Identification **ST - 151**

**DESCRIPTION:** Overhead suspended - Terminal with I.D with dynamic airline listing.

**LOCATION:** Terminals. Used at primary Terminal entrances

**MATERIALS:** Extruded aluminum sign face structure with removable face panel.

**LETTERING:**  
 A Swiss721 BT Bold  
 B Swiss721 Blk BT

**SYMBOLGY:** (Refer to Section 2.2.2)

**COLORS:**  
 1 Background: 3M Opaque Film #7725-12 or approved equal (Black)  
 2 Text: VMS Red reading  
 3 Band: N/A  
 4 Symbol: N/A  
 5 Letter: .090" fabricated aluminum dimensional letter painted MPA #42-202 Natural White.  
 6 Letter box:  
**Terminal A** 3M#230/230-127 (Intense Blue)  
**Terminal B** 3M#230/230-33 (Red)  
**Terminal C** 3M#230/230-26 (Green)  
**Terminal D** 3M#220-98 (Dark Violet)  
 7 Header/Side Panel: N/A  
 8 Header Text: Translucent Acrylic (White)

**GRAPHICS:** N/A

**ARROWS:** N/A

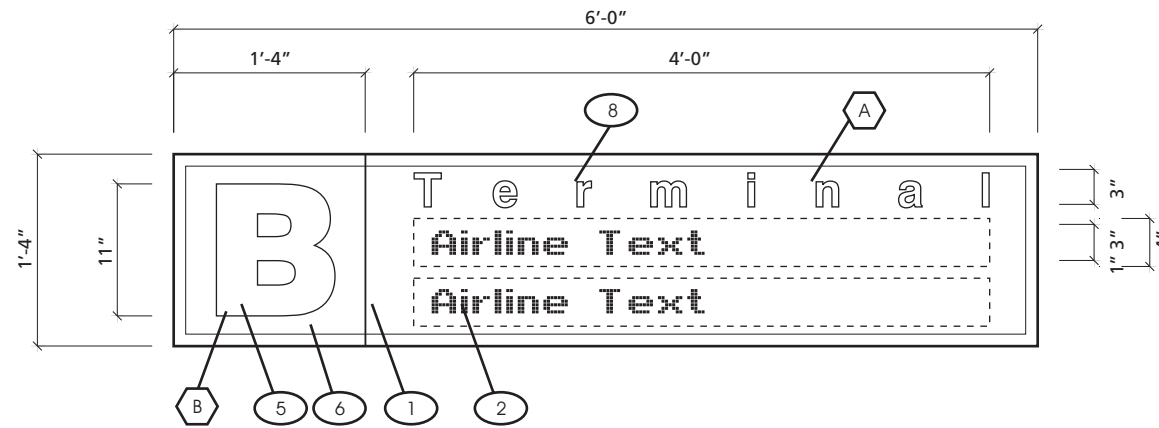
**MOUNTING:** Overhead suspended.

**ILLUMINATION:** Sign will be internally illuminated.  
**REMARKS:** Refer to Section 2.5 for vinyl specifications.

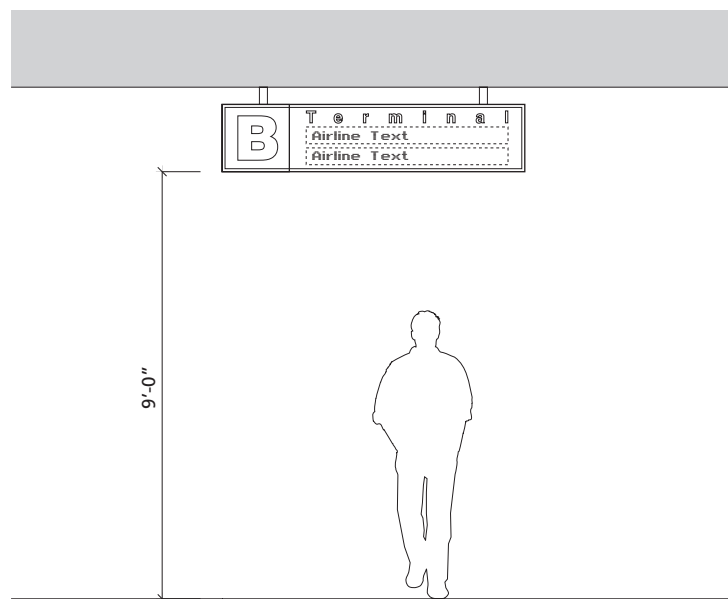
- NOTES:**
- # 10-24 X 1/2" SS SCS hinge screw drill by 5/16" Dia. Use reference scoring 8" from ends typical
  - D-Punch for fluor sockets
  - 2" X 2" X 1/8" alum channel raceway, socket support welded to base plate mtd. To frame w/ #8 X 1/2" SS TEK DP SMS
  - 3/16" signwhite polycarb faces mounted w/ 3M 4930 VHB FT
  - .040" alum formed raceway cover, socket Support  
Panduit ABM25-A-C cable tie pad in raceway with panduit PLIM-C ZIP TIE 1/8" WIDE x 7/8"
  - Ballast France 688 DR
  - LED/VMS Module

Identification - Primary **3.5.2**

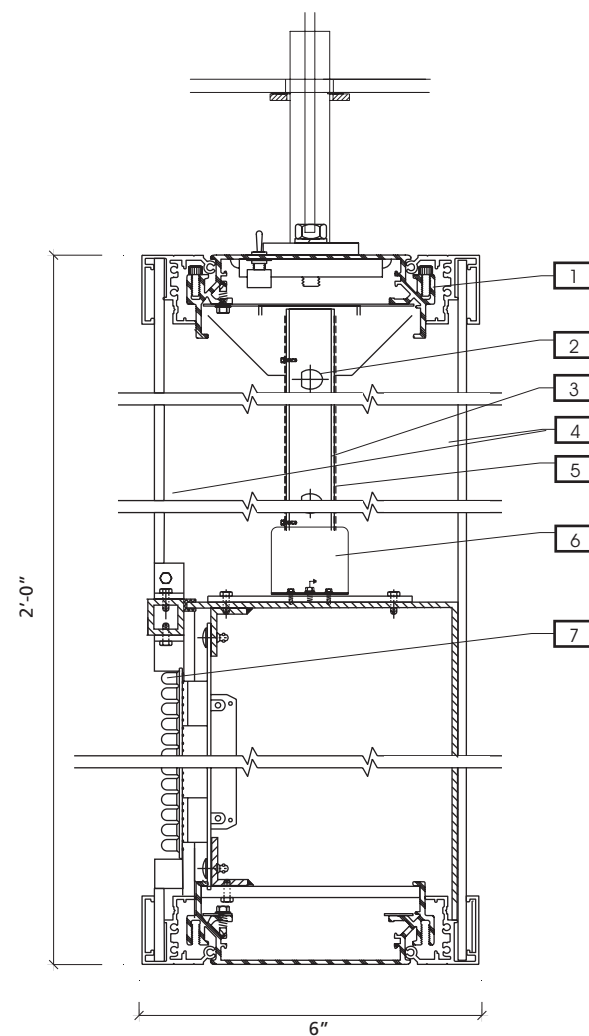
#	Revision	Date



SIGN FACE LAYOUT  
Scale: 3/4"=1'-0"



ELEVATION  
Scale: N.T.S.



DETAIL (For Design Intent Only)  
Scale: N.T.S.

Overhead - Identification **ST - 152**

**DESCRIPTION:** Overhead suspended - Terminal I.D with dynamic airline listing.

**LOCATION:** Terminals. Used at Terminal entrances.

**MATERIALS:** Extruded aluminum sign face structure with removable face panel.

**LETTERING:**  
 A Swiss721 BT Bold  
 B Swiss721 Blk BT

**SYMBOLGY:** (Refer to Section 22.2)

**COLORS:**  
 1 Background: 3M Opaque Film #7725-12 or approved equal (Black)  
 2 Text: VMS Red reading  
 3 Band: N/A  
 4 Symbol: N/A  
 5 Letter: .090" fabricated aluminum dimensional letter painted MPA #42-202 Natural White.  
 6 Letter box:  
**Terminal A** 3M#230/230-127 (Intense Blue)  
**Terminal B** 3M#230/230-33 (Red)  
**Terminal C** 3M#230/230-26 (Green)  
**Terminal D** 3M#220-98 (Dark Violet)  
 7 Header/Side Panel: N/A  
 8 Header Text: Translucent Acrylic (White)

**GRAPHICS:** N/A

**ARROWS:** N/A

**MOUNTING:** Overhead suspended.

**ILLUMINATION:** Sign will be internally illuminated.

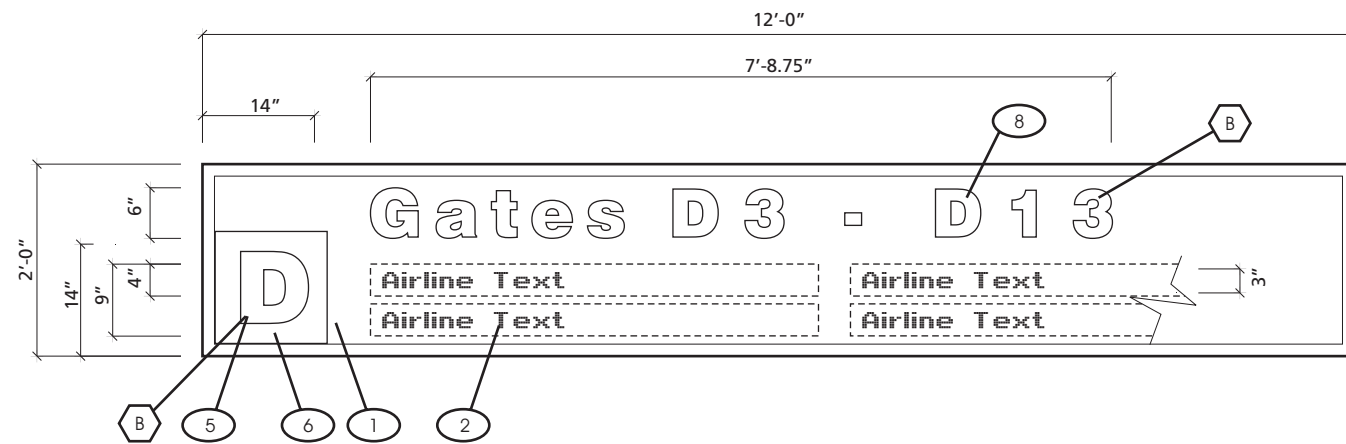
**REMARKS:** Refer to Section 2.5 for vinyl specifications.

- NOTES:**
- # 10-24 X 1/2" SS SCS hinge screw drill by 5/16" Dia. Use reference scoring 8" from ends typical
  - D-Punch for fluor sockets
  - 2" X 2" X 1/8" alum channel raceway, socket support welded to base plate mtd. To frame w/ #8 X 1/2" SS TEK DP SMS
  - 3/16" signwhite polycarb faces mounted w/ 3M 4930 VHB FT
  - .040" alum formed raceway cover, socket Support  
Panduit ABM25-A-C cable tie pad in raceway with panduit PLIM-C ZIP TIE 1/8" WIDE x 7/8"
  - Ballast France 688 DR
  - LED/VMS Module

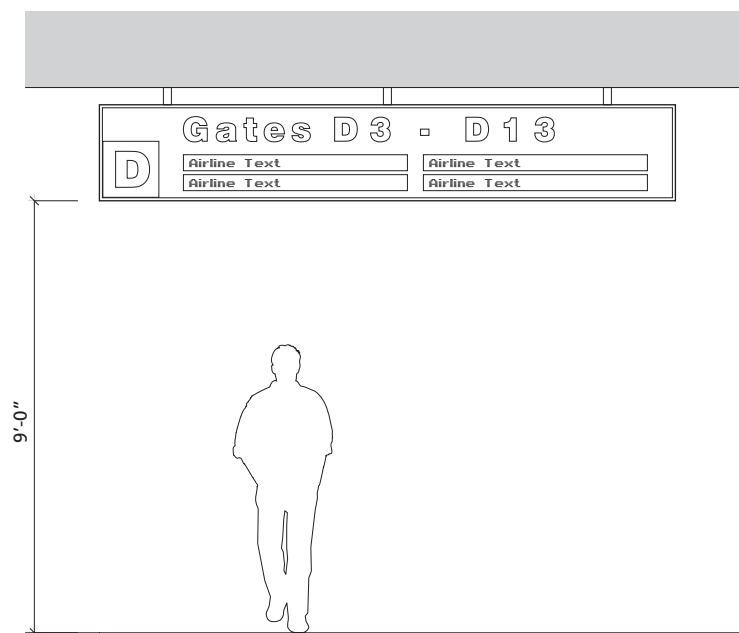
Identification - Primary **3.5.2**



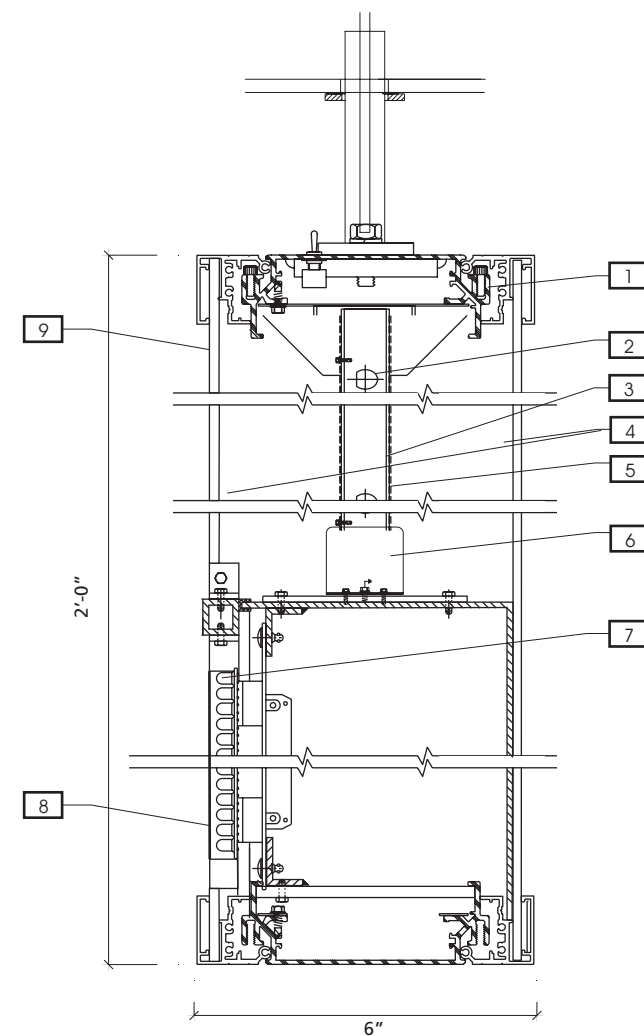
#	Revision	Date



SIGN FACE LAYOUT  
Scale: 1/2"=1'-0"



ELEVATION  
Scale: N.T.S.



DETAIL (For Design Intent Only)  
Scale: N.T.S.

Overhead - Identification **ST - 153**

**DESCRIPTION:** Overhead suspended - Gate I.D with dynamic airline listing.

**LOCATION:** Terminals. Used at primary gate area entrances prior to security check points.

**MATERIALS:** Extruded aluminum sign face structure with removable face panel.

**LETTERING:**  
 A N/A  
 B Swiss721 Blk BT

**SYMBOLGY:** (Refer to Section 2.2.2)

**COLORS:**  
 1 Background: 3M Opaque Film #7725-12 or approved equal (Black)  
 2 Text: VMS Red reading  
 3 Band: N/A  
 4 Symbol: N/A  
 5 Letter: .090" fabricated aluminum dimensional letter painted MPA #42-202 Natural White.  
 6 Letter box:  
**Terminal A** 3M#230/230-127 (Intense Blue)  
**Terminal B** 3M#230/230-33 (Red)  
**Terminal C** 3M#230/230-26 (Green)  
**Terminal D** 3M#220-98 (Dark Violet)  
 7 Header/Side Panel: N/A  
 8 Header Text: Translucent Acrylic (White) 3/4" push-thru letter.

**GRAPHICS:** N/A

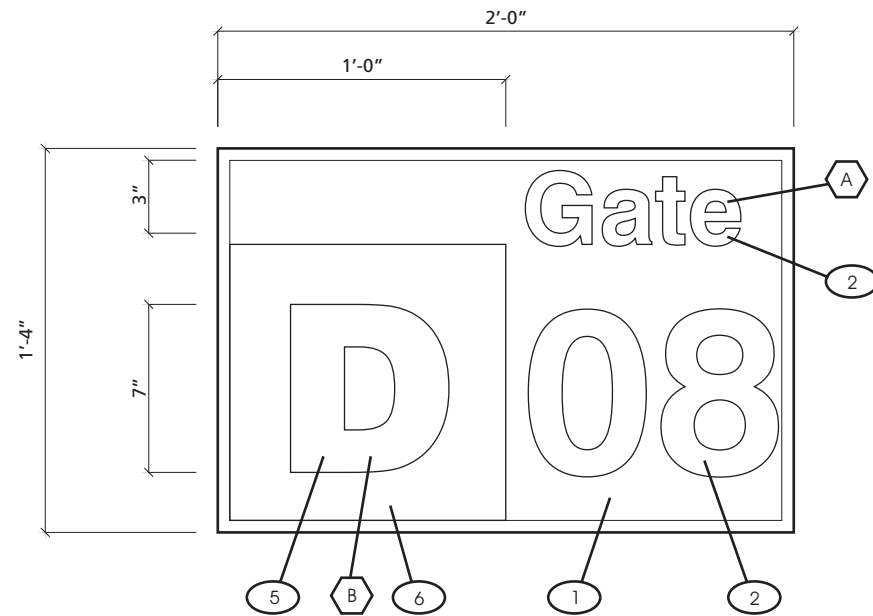
**MOUNTING:** Overhead suspended.  
**ILLUMINATION:** Sign will be internally illuminated.  
**REMARKS:** Refer to Section 2.5 for vinyl specifications.

- NOTES:**
- 1 # 10-24 X 1/2" SS SCS hinge screw drill by 5/16" Dia. Use reference scoring 8" from ends typical
  - 2 D-Punch for fluor sockets
  - 3 2" X 2" X 1/8" alum channel raceway, socket support welded to base plate mid. To frame w/ #8 X 1/2" SS TEK DP SMS
  - 4 3/16" signwhite polycarb faces mounted w/ 3M 4930 VHB FT
  - 5 .040" alum formed raceway cover, socket Support  
Panduit ABM25-A-C cable tie pad in raceway with panduit PLUM-C ZIP TIE 1/8" WIDE x 7/8"
  - 6 Ballast France 688 DR
  - 7 LED/VMS Module
  - 8 1/4" brushed aluminum dimensional letters
  - 9 1/4" pushed-thru letters

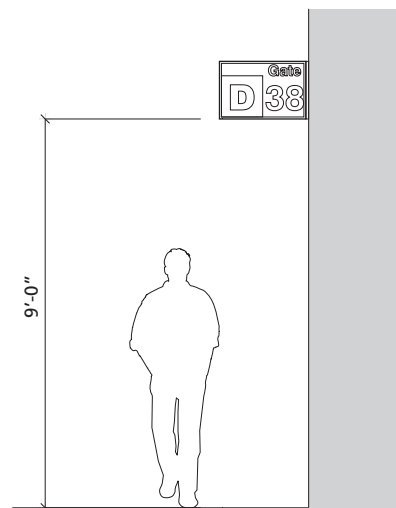
Identification - Primary **3.5.2**



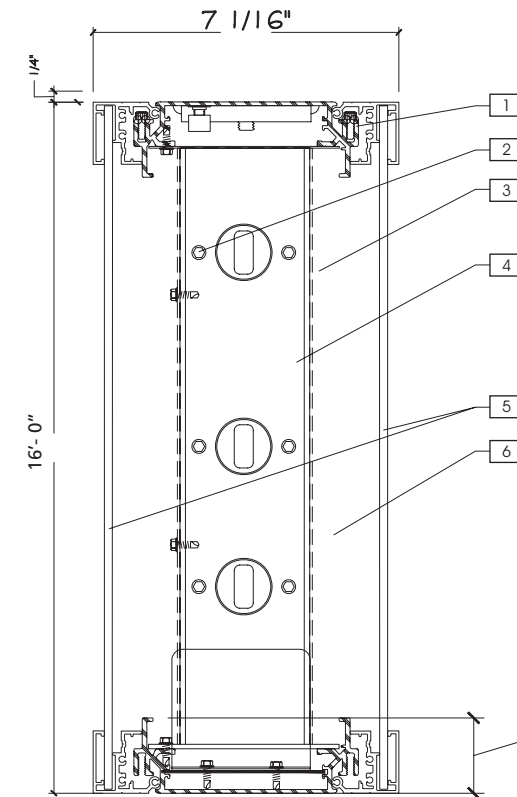
#	Revision	Date



SIGN FACE LAYOUT  
Scale: 1 1/2"=1'-0"



ELEVATION  
Scale: N.T.S.



DETAIL (For Design Intent Only)  
Scale: N.T.S.

**Flag mount - Identification ST - 154**

**DESCRIPTION:** Flag mount - Gate I.D.

**LOCATION:** Terminals. Used at gate hold room locations.

**MATERIALS:** Extruded aluminum sign face structure with removable face panel.

**LETTERING:**  
 A Swiss721 BT Bold  
 B Swiss721 Blk BT

**SYMBOLGY:** (Refer to Section 22.2)

**COLORS:**  
 1 Background: 3M Opaque Film #7725-12 or approved equal (Black)  
 2 Text: Translucent Acrylic (White)  
 3 Band: N/A  
 4 Symbol: N/A  
 5 Letter: Translucent Acrylic (White)  
 6 Letter box:  
**Terminal A** 3M#230/230-127 (Intense Blue)  
**Terminal B** 3M#230/230-33 (Red)  
**Terminal C** 3M#230/230-26 (Green)  
**Terminal D** 3M#220-98 (Dark Violet)

7 Header/Side Panel: N/A  
 8 Header Text: N/A

**GRAPHICS:** N/A

**ARROWS:** N/A

**MOUNTING:** Flag mount.

**ILLUMINATION:** Sign will be internally illuminated.

**REMARKS:** Refer to Section 2.5 for vinyl specifications.

**NOTES:**

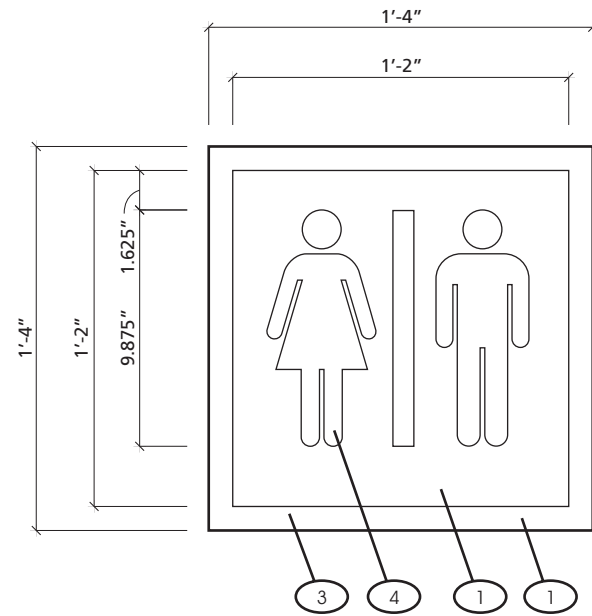
- # 10-24 X 1/2"SS SCS hinged screw drill by 5/16" dia. Use reference scoring 8" from ends typical
- # 08 X 1/2"SS TEX DP SMS raceway cover fastener.
- Compact Fluorescent lamp sign lite BLM- 13-1-6
- 3" X 2" X 1/8" alum channel raceway, socket support welded to base plate MTD to frame w/ # 8 X 1/2"SS TER DP SMS
- 3/16" signwhite polycarb faces MTD w/ 3M 4930 VHB FT
- .040" alum formed raceway cover socket support

Panduit ABM2S-A-C cable tie pad in raceway w/ panduit PLIM-C zip tie 1/8" wide X 3 7/8"

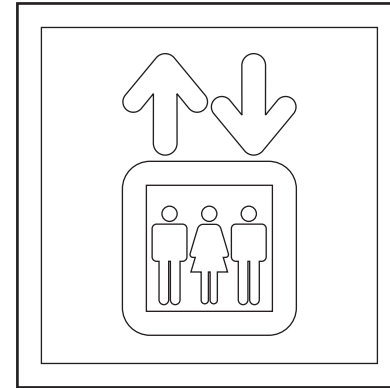
**Identification - Secondary 3.5.2**



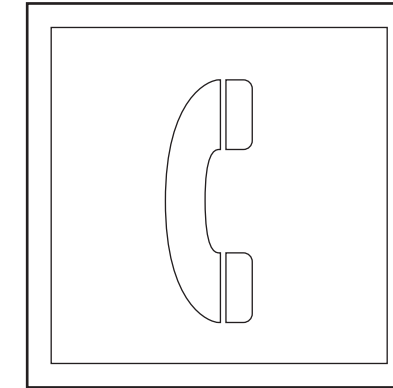
#	Revision	Date



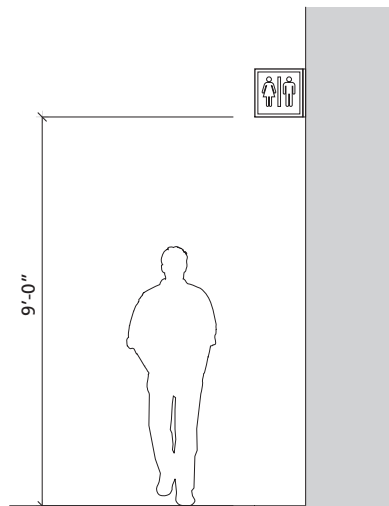
SIGN FACE LAYOUT - OPTION A  
Scale: 1 1/2"=1'-0"



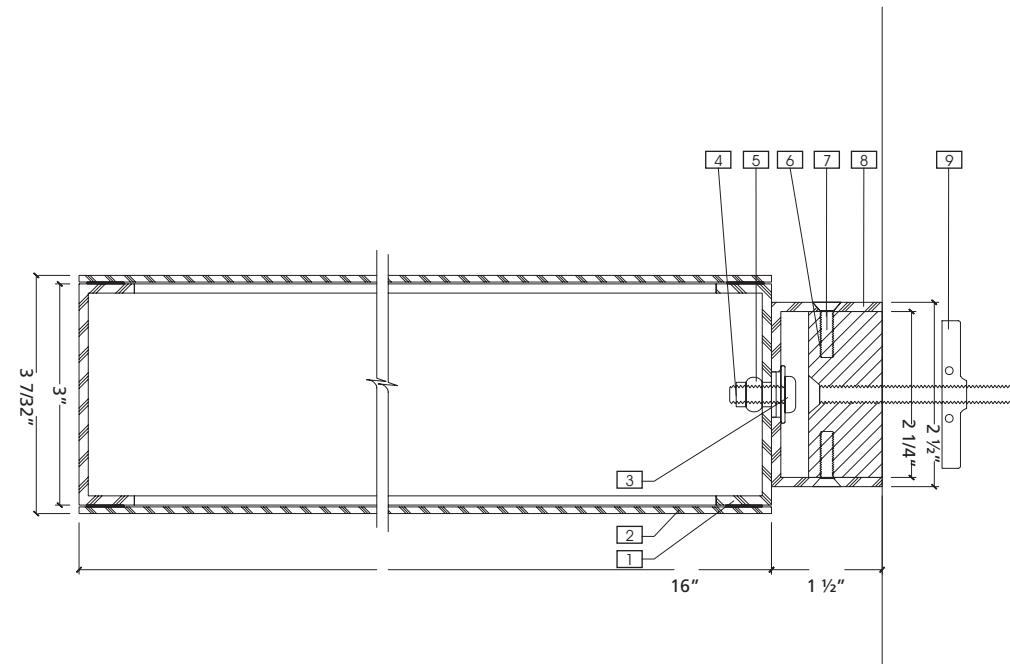
SIGN FACE LAYOUT - OPTION B  
Scale: 1 1/2"=1'-0"



SIGN FACE LAYOUT - OPTION C  
Scale: 1 1/2"=1'-0"



ELEVATION  
Scale: N.T.S.



DETAIL (For Design Intent Only)  
Scale: N.T.S.

**Flag mount - Identification ST - 155**

**DESCRIPTION:** Flag mount - Servioeces I.D.

**LOCATION:** Terminals. Used in all Terminal areas.

**MATERIALS:** Extruded aluminum sign face structure with removable face panel.

**LETTERING:**  
A N/A  
B N/A

**SYMBOLGY:** (Refer to Section 2.2.2)

**COLORS:**  
1 Background: 3M Opaque Film #7725-10 or approved equal (Black)  
2 Text: N/A  
3 Band: 3M Opaque Film #220-10 (White)  
4 Symbol: 3M Opaque Film #220-10 (White)  
5 Letter: N/A  
6 Letter box: N/A  
7 Header/Side Panel: N/A  
8 Header Text: N/A

**GRAPHICS:** N/A

**ARROWS:** N/A

**MOUNTING:** Flag mount.

**ILLUMINATION:** Sign will non-illuminated.

**REMARKS:** Refer to Section 2.5 for vinyl specifications.

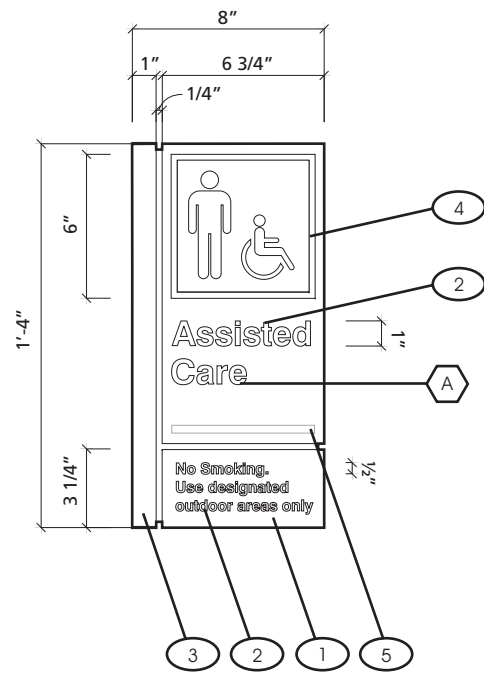
**NOTES:**

- 1 3" X 1 X 1/8" alum channel frame.
- 2 .090" alum face
- 3 1/4 - 20 X 3/4" SS PH CS MC 91772A540 (X3)
- 4 1/4" SS flat washer MC 92141A029 (X3)
- 5 1/4" - 20 RIVNUT (X3)
- 6 2- 1/4" X 1" X 12" PVC
- 7 10-32 X 3/4" SS FH MS tamper resistant
- 8 2- 1/2" X 1-1/2" X 1/8" alum channel
- 9 1/4-20 toggler MC 97802A219

**Identification - Secondary 3.5.2**

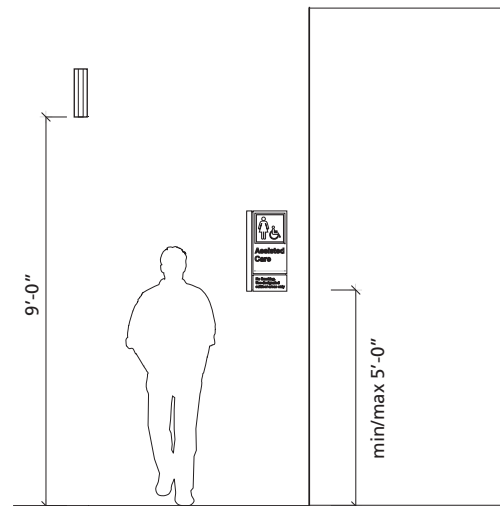


#	Revision	Date



SIGN FACE LAYOUT - OPTION A

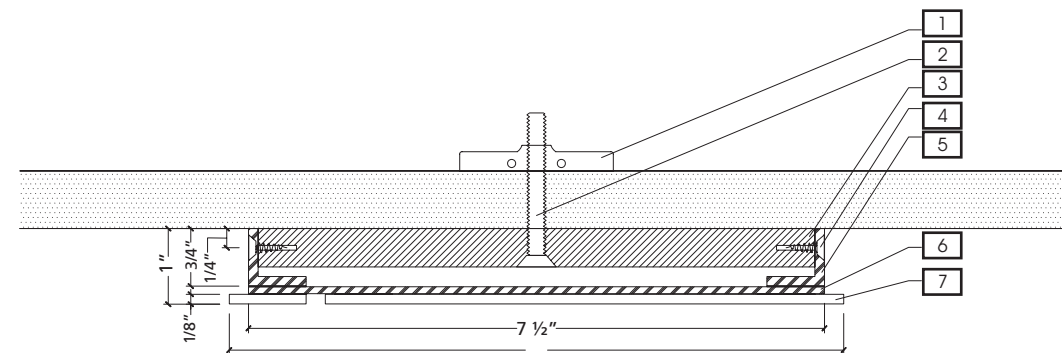
Scale: 1 1/2" = 1'-0"



ELEVATION

Scale: N.T.S.

Note: See next page for alternate layouts.



DETAIL - Section A (For Design Intent Only)

Scale: N.T.S.

Wall mount - Identification **ST - 156**

DESCRIPTION: Wall mount - Services I.D. with Braille

LOCATION: Used at location of services and stairs.

MATERIALS: Extruded aluminum sign face structure with removable face panel.

LETTERING:

- Ⓐ Swiss 721 BT Bold
- Ⓑ N/A

SYMBOLGY: (Refer to Section 2.2.2)

COLORS:

- ① Background: 3M Opaque Film #7725-12 or approved equal (Black)
- ② Text: 3M Opaque Film #220-10 (white)
- ③ Band:
- Terminal A 3M#230/230-127 (Intense Blue)
- Terminal B 3M#230/230-33 (Red)
- Terminal C 3M#230/230-26 (Green)
- Terminal D 3M#220-98 (Dark Violet)
- ④ Symbol: 3M Opaque Film # 220-10 (White)
- ⑤ Braille: 1/32" thick raised surface letters (white)
- ⑥ Letter box: N/A
- ⑦ Side Panel: N/A
- ⑧ Header Text: N/A

GRAPHICS: N/A

ARROWS: N/A

MOUNTING: Wall mount.

ILLUMINATION: Sign will be non-illuminated.

REMARKS: Refer to Section 2.5 for vinyl specifications.

NOTES:

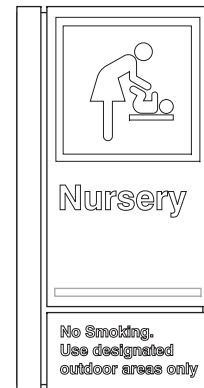
- 1 1/4- 20 toggler MC 97802A219 (X2)
- 2 1/4- 20 X 2" SS FH MS MC 91771A550 (X2)
- 3 1/2" Saw cut PVC for SMS
- 4 #8 X 1/2 SS FH SMS MC 90065A194 (X4)
- 5 3/4" X 3/4" X 1/8" alum angle
- 6 .090 alum face, mounted to alum angle w/ VHB 4930
- 7 1/8" acrylic panel w/ bead braille ptd. To match Black mtd. To alum backer panel w/ permastick

Identification - Secondary

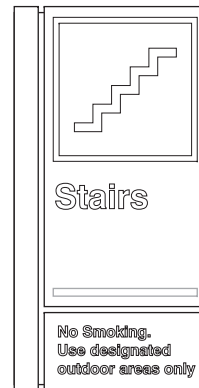
3.5.2



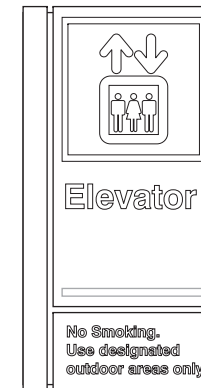
#	Revision	Date



SIGN FACE LAYOUT - OPTION D  
Scale: 1 1/2"=1'-0"



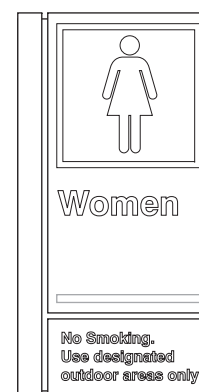
SIGN FACE LAYOUT - OPTION E  
Scale: 1 1/2"=1'-0"



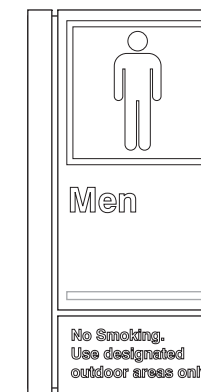
SIGN FACE LAYOUT - OPTION F  
Scale: 1 1/2"=1'-0"



SIGN FACE LAYOUT - OPTION G  
Scale: 1 1/2"=1'-0"



SIGN FACE LAYOUT - OPTION B  
Scale: 1 1/2"=1'-0"



SIGN FACE LAYOUT - OPTION C  
Scale: 1 1/2"=1'-0"

**Wall mount - Identification ST - 156**

**DESCRIPTION:** Wall mount - Services I.D. with Braille

**LOCATION:** Used at location of services and stairs.

**MATERIALS:** Extruded aluminum sign face structure with removable face panel.

**LETTERING:**  
 A Swiss 721 BT Bold  
 B N/A

**SYMBOLGY:** (Refer to Section 2.2.2)

**COLORS:**  
 1 Background: 3M Opaque Film #7725-12 or approved equal (Black)  
 2 Text: 3M Opaque Film #220-10 (White)  
 3 Band:  
   **Terminal A** 3M#230/230-127 (Intense Blue)  
   **Terminal B** 3M#230/230-33 (Red)  
   **Terminal C** 3M#230/230-26 (Green)  
   **Terminal D** 3M#220-98 (Dark Violet)  
 4 Symbol: 3M Opaque Film # 220-10 (White)  
 5 Braille: 1/32" thick raised surface letters (white)  
 6 Letter box: N/A  
 7 Header/Side Panel: N/A  
 8 Header Text: N/A

**GRAPHICS:** N/A

**ARROWS:** N/A

**MOUNTING:** Wall mount.

**ILLUMINATION:** Sign will be non-illuminated.

**REMARKS:** Refer to Section 2.5 for vinyl specifications.

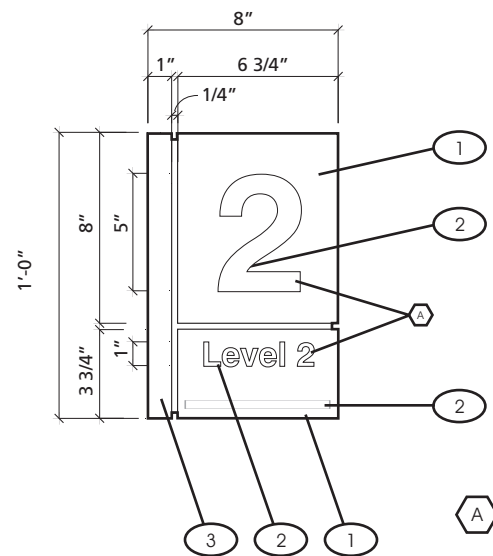
**NOTES:**

- 1 1/4- 20 toggler MC 97802A219 (X2)
- 2 1/4- 20 X 2" SS FH MS MC 91771A550 (X2)
- 3 1/2" Saw cut PVC for SMS
- 4 #8 X 1/2 SS FH SMS MC 90065A194 (X4)
- 5 3/4" X 3/4" X 1/8" alum angle
- 6 .090 alum face, mounted to alum angle w/ VHB 4930
- 7 1/8" acrylic panel w/ bead brail ptd. To match Black mtd. To alum backer panel w/ permastick

**Identification - Secondary 3.5.2**

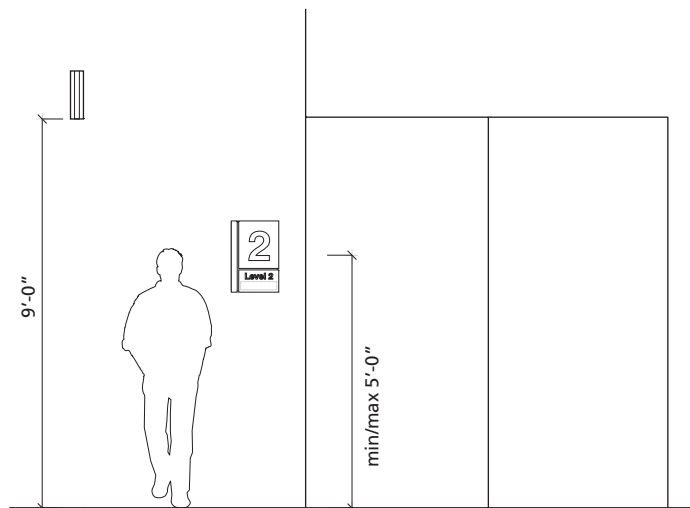


#	Revision	Date



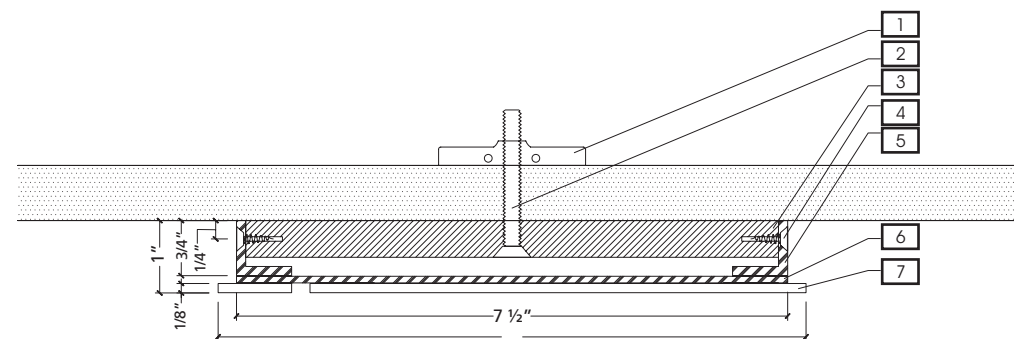
SIGN FACE LAYOUT - OPTION A

Scale: 1 1/2"=1'-0"



ELEVATION

Scale: N.T.S.



DETAIL - Section A (For Design Intent Only)

Scale: N.T.S.

Wall mount - Identification **ST - 157**

**DESCRIPTION:** Wall mount - Level I.D. With Braille

**LOCATION:** Used at locations close to stairs to identify levels..

**MATERIALS:** Extruded aluminum sign face structure with removable face panel.

**LETTERING:**

- Ⓐ Swiss 721 BT Bold
- Ⓑ N/A

**SYMBOLGY:** (Refer to Section 2.2.2)

**COLORS:**

- ① Background: 3M Opaque Film #7725-12 or approved equal (Black)
- ② Text: 3M Opaque Film #220-10 (White)
- ③ Band:
- Terminal A** 3M#230/230-127 (Intense Blue)
- Terminal B** 3M#230/230-33 (Red)
- Terminal C** 3M#230/230-26 (Green)
- Terminal D** 3M#220-98 (Dark Violet)
- ④ Symbol: 3M Opaque Film # 220-10 (White)
- ⑤ Braille: 1/32" thick raised surface letters (white)
- ⑥ Letter box: N/A
- ⑦ Header/Side Panel: N/A
- ⑧ Header Text: N/A

**GRAPHICS:** N/A

**ARROWS:** N/A

**MOUNTING:** Wall mount.

**ILLUMINATION:** Sign will be non-illuminated.

**REMARKS:** Refer to Section 2.5 for vinyl specifications.

**NOTES:**

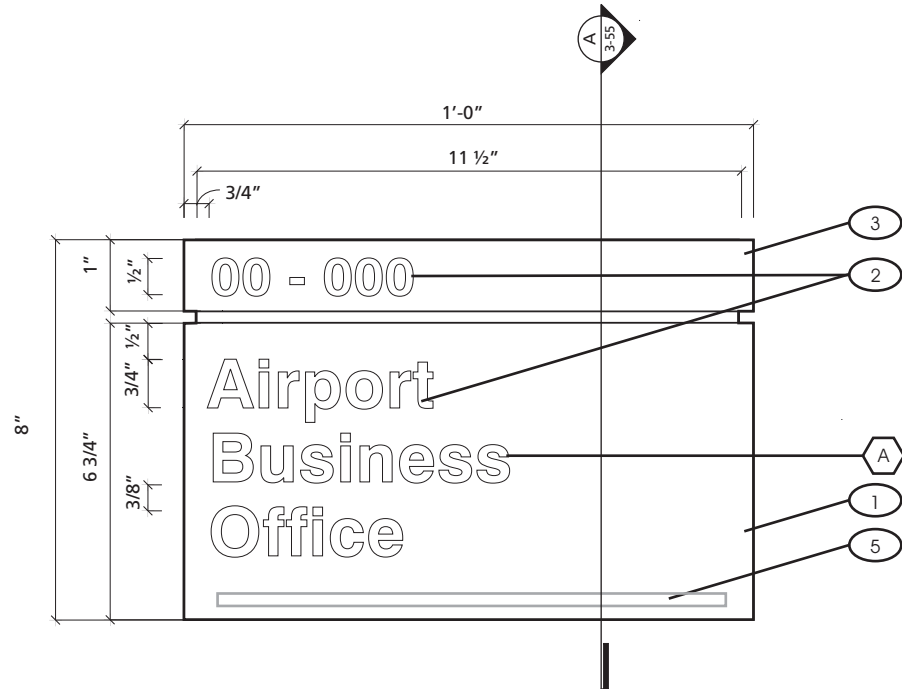
- 1 1/4- 20 toggler MC 97802A219 (X2)
- 2 1/4- 20 X 2" SS FH MS MC 91771A550 (X2)
- 3 1/2" Saw cut PVC for SMS
- 4 #8 X 1/2 SS FH SMS MC 90065A194 (X4)
- 5 3/4" X 3/4" X 1/8" alum angle
- 6 .090 alum face, mounted to alum angle w/ VHB 4930
- 7 1/8" acrylic panel w/ bead brail ptd. To match Black mtd. To alum backer panel w/ permastick

Identification - Secondary





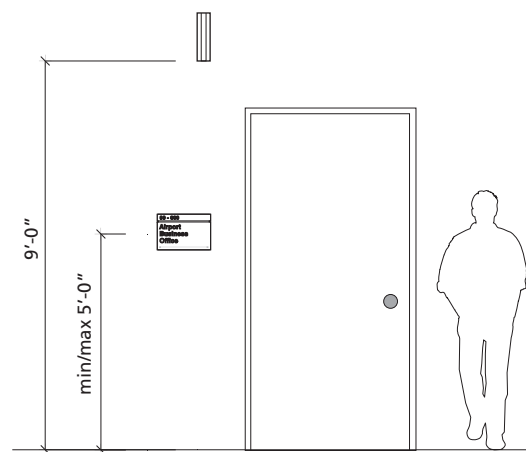
#	Revision	Date



Note: See next page for alternate layouts.

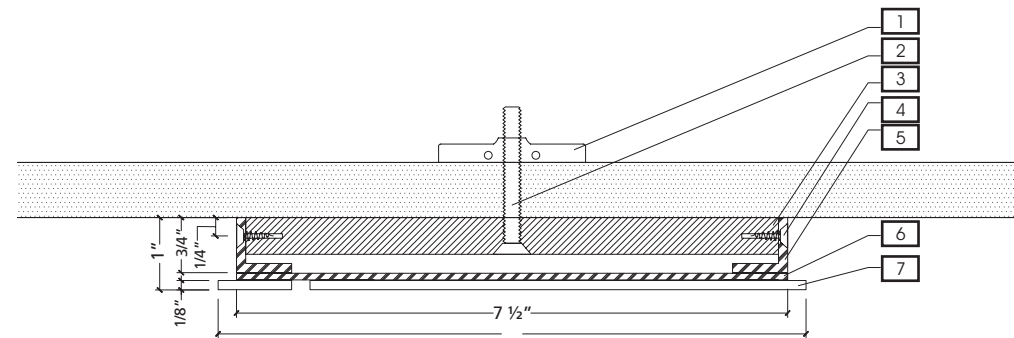
SIGN FACE LAYOUT - OPTION A

Scale: 3"=1'-0"



ELEVATION

Scale: N.T.S.



DETAIL - Section A (For Design Intent Only)

Scale: N.T.S.

Wall mount - Identification **ST - 158**

DESCRIPTION: Wall mount - Room I.D. with Braille

LOCATION: Used at room entrances.

MATERIALS: Extruded aluminum sign face structure with removable face panel.

LETTERING:

- Ⓐ Swiss 721 BT Bold
- Ⓑ N/A

SYMBOLGY: (Refer to Section 2.2.2)

COLORS:

- ① Background: 3M Opaque Film #7725-12 or approved equal (Black)
- ② Text: 3M Opaque Film #220-10 (White)
- ③ Band:
- Terminal A 3M#230/230-127 (Intense Blue)
- Terminal B 3M#230/230-33 (Red)
- Terminal C 3M#230/230-26 (Green)
- Terminal D 3M#220-98 (Dark Violet)
- ④ Symbol: N/A
- ⑤ Braille: 1/32" thick raised surface letters (white)
- ⑥ Letter box: N/A
- ⑦ Side Panel: N/A
- ⑧ Header Text: N/A

GRAPHICS: N/A

ARROWS: N/A

MOUNTING: Wall mount.

ILLUMINATION: Sign will be non-illuminated.

REMARKS: Refer to Section 2.5 for vinyl specifications.

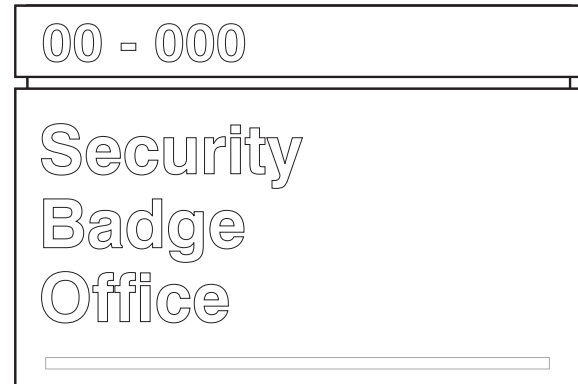
NOTES:

- 1 1/4- 20 toggler MC 97802A219 (X2)
- 2 1/4- 20 X 2" SS FH MS MC 91771A550 (X2)
- 3 1/2" Saw cut PVC for SMS
- 4 #8 X 1/2 SS FH SMS MC 90065A194 (X4)
- 5 3/4" X 3/4" X 1/8" alum angle
- 6 .090 alum face, mounted to alum angle w/ VHB 4930
- 7 1/8" acrylic panel w/ bead brail pt. To match Black mtd. To alum backer panel w/ permastick

Identification - Secondary

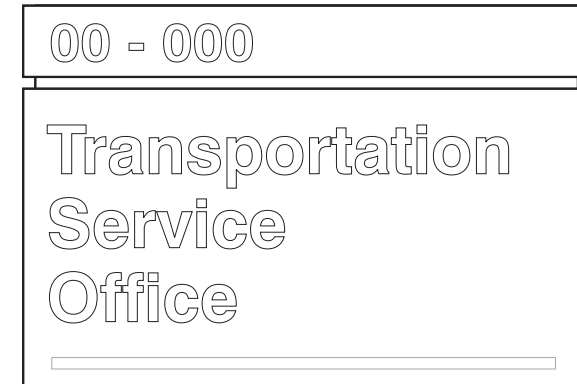


#	Revision	Date



SIGN FACE LAYOUT - OPTION B

Scale: 3"=1'-0"



SIGN FACE LAYOUT - OPTION C

Scale: 3"=1'-0"



SIGN FACE LAYOUT - OPTION D

Scale: 3"=1'-0"

**Wall mount - Identification ST - 158**

**DESCRIPTION:** Wall mount - Room I.D. with Braille

**LOCATION:** Used at room entrances.

**MATERIALS:** Extruded aluminum sign face structure with removable face panel.

**LETTERING:**

- Ⓐ Swiss 721 BT Bold
- Ⓑ N/A

**SYMBOLGY:** (Refer to Section 2.2.2)

**COLORS:**

- ① Background: 3M Opaque Film #7725-12 or approved equal (Black)
- ② Text: 3M Opaque Film #220-10 (White)
- ③ Band:
  - Terminal A** 3M#230/230-127 (Intense Blue)
  - Terminal B** 3M#230/230-33 (Red)
  - Terminal C** 3M#230/230-26 (Green)
  - Terminal D** 3M#220-98 (Dark Violet)
- ④ Symbol: N/A
- ⑤ Braille: 1/32" thick raised surface letters (white)
- ⑥ Letter box: N/A
- ⑦ Side Panel: N/A
- ⑧ Header Text: N/A

**GRAPHICS:** N/A

**ARROWS:** N/A

**MOUNTING:** Wall mount.

**ILLUMINATION:** Sign will be non-illuminated.

**REMARKS:** Refer to Section 2.5 for vinyl specifications.

**NOTES:**

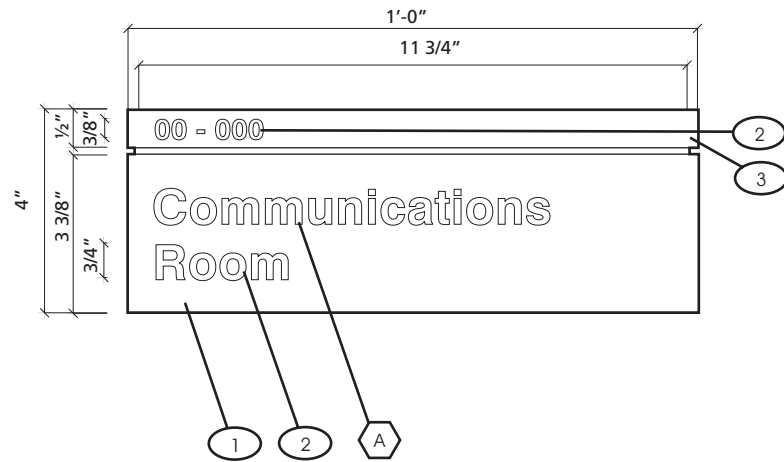
- 1 1/4- 20 toggler MC 97802A219 (X2)
- 2 1/4- 20 X 2" SS FH MS MC 91771A550 (X2)
- 3 1/2" Saw cut PVC for SMS
- 4 #8 X 1/2 SS FH SMS MC 90065A194 (X4)
- 5 3/4" X 3/4" X 1/8" alum angle
- 6 .090 alum face, mounted to alum angle w/ VHB 4930
- 7 1/8" acrylic panel w/ bead brail ptd. To match Black mtd. To alum backer panel w/ permastick

**Identification - Secondary**

**3.5.2**



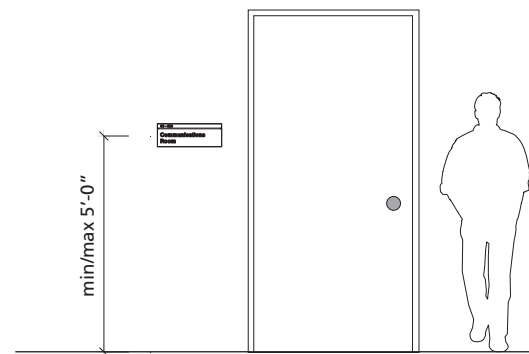
#	Revision	Date



Note: See next page for alternate layouts.

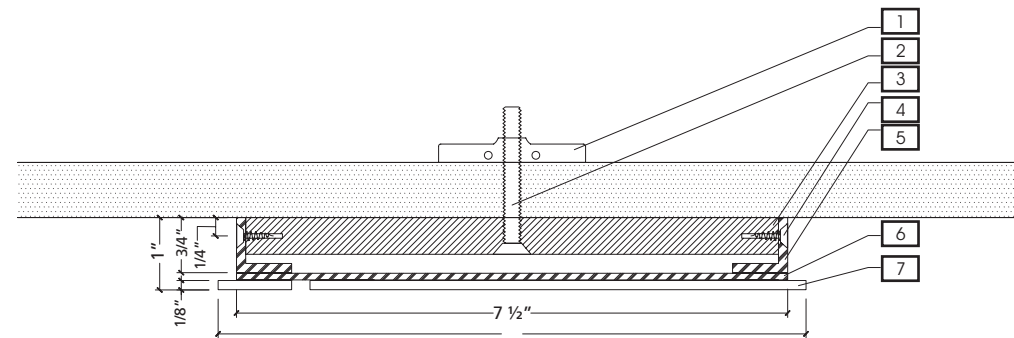
SIGN FACE LAYOUT - OPTION A

Scale: 3"=1'-0"



ELEVATION

Scale: N.T.S.



DETAIL - Section A (For Design Intent Only)

Scale: N.T.S.

Wall mount - Identification **ST - 159**

DESCRIPTION: Wall mount - Room I.D. with Braille

LOCATION: Used at room entrances.

MATERIALS: Extruded aluminum sign face structure with removable face panel.

LETTERING:

- Ⓐ Swiss 721 BT Bold
- Ⓑ N/A

SYMBOLGY: (Refer to Section 2.2.2)

COLORS:

- ① Background: 3M Opaque Film #7725-12 or approved equal (Black)
- ② Text: 3M Opaque Film #220-10 (White)
- ③ Band:
  - Terminal A 3M#230/230-127 (Intense Blue)
  - Terminal B 3M#230/230-33 (Red)
  - Terminal C 3M#230/230-26 (Green)
  - Terminal D 3M#220-98 (Dark Violet)
- ④ Symbol: N/A
- ⑤ Braille: 1/32" thick raised surface letters (white)
- ⑥ Letter box: N/A
- ⑦ Side Panel: N/A
- ⑧ Header Text: N/A

GRAPHICS: N/A

ARROWS: N/A

MOUNTING: Wall mount.

ILLUMINATION: Sign will be non-illuminated.

REMARKS: Refer to Section 2.5 for vinyl specifications.

NOTES:

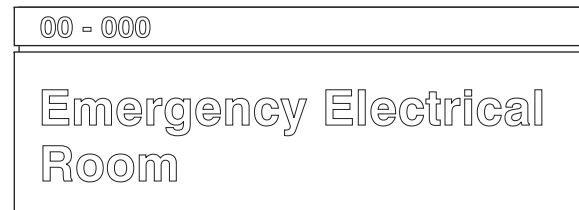
- 1 1/4- 20 toggler MC 97802A219 (X2)
- 2 1/4- 20 X 2" SS FH MS MC 91771A550 (X2)
- 3 1/2" Saw cut PVC for SMS
- 4 #8 X 1/2 SS FH SMS MC 90065A194 (X4)
- 5 3/4" X 3/4" X 1/8" alum angle
- 6 .090 alum face, mounted to alum angle w/ VHB 4930
- 7 1/8" acrylic panel w/ bead braille ptd. To match Black mtd. To alum backer panel w/ permastick

Identification - Secondary

3.5.2



#	Revision	Date



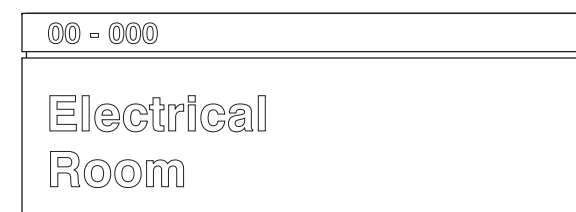
SIGN FACE LAYOUT - OPTION B  
Scale: 3"=1'-0"



SIGN FACE LAYOUT - OPTION C  
Scale: 3"=1'-0"



SIGN FACE LAYOUT - OPTION D  
Scale: 3"=1'-0"



SIGN FACE LAYOUT - OPTION E  
Scale: 3"=1'-0"

**Wall mount - Identification ST - 159**

**DESCRIPTION:** Wall mount - Room I.D.

**LOCATION:** Used at room entrances.

**MATERIALS:** Extruded aluminum sign face structure with removable face panel.

**LETTERING:**  
 A Swiss 721 BT Bold  
 B N/A

**SYMBOLGY:** (Refer to Section 2.2.2)

**COLORS:**  
 1 Background: 3M Opaque Film #7725-12 or approved equal (Black)  
 2 Text: 3M Opaque Film #220-10 (White)  
 3 Band:  
   **Terminal A** 3M#230/230-127 (Intense Blue)  
   **Terminal B** 3M#230/230-33 (Red)  
   **Terminal C** 3M#230/230-26 (Green)  
   **Terminal D** 3M#220-98 (Dark Violet)  
 4 Symbol: N/A  
 5 Letter: N/A  
 6 Letter box: N/A  
 7 Side Panel: N/A  
 8 Header Text: N/A

**GRAPHICS:** N/A

**ARROWS:** N/A

**MOUNTING:** Wall mount.

**ILLUMINATION:** Sign will be non-illuminated.

**REMARKS:** Refer to Section 2.5 for vinyl specifications.

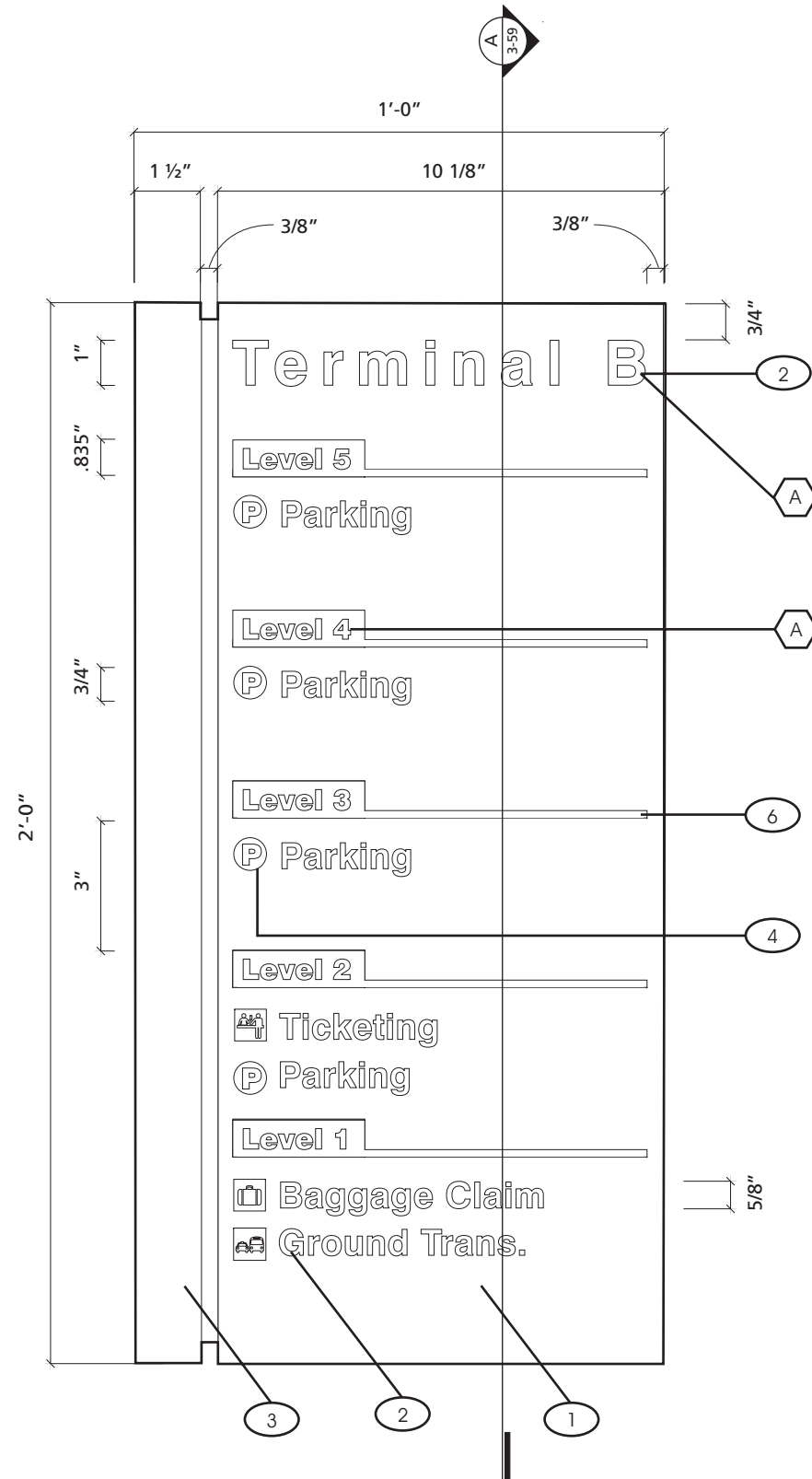
**NOTES:**

- 1 .125" aluminum panel secured to angle frame.
- 2 1"x1"x.125" aluminum angle frame.
- 3 1"x1"x.125" aluminum mounting bracket.

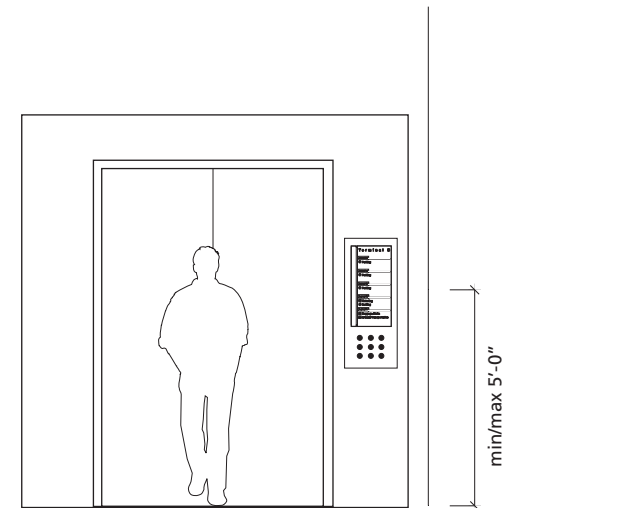
**Identification - Secondary 3.5.2**



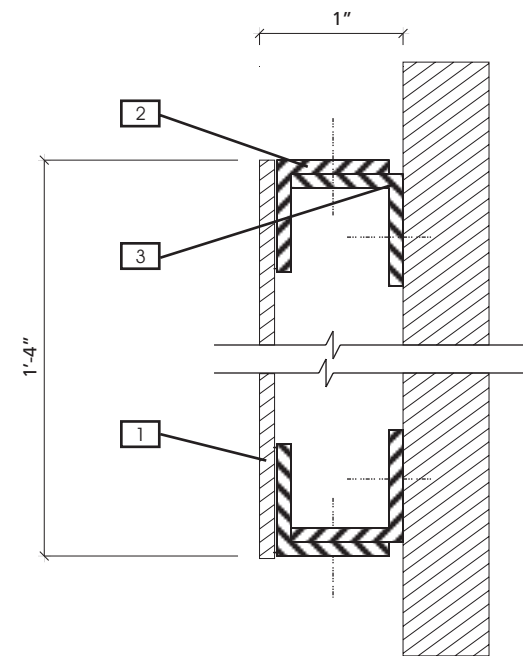
#	Revision	Date



SIGN FACE LAYOUT - OPTION A  
Scale: 3"=1'-0"



ELEVATION  
Scale: N.T.S.



DETAIL - Section A (For Design Intent Only)  
Scale: N.T.S.

Wall mount - Identification **ST - 160**

DESCRIPTION: Wall mount - Elevator Plaque

LOCATION: Used inside elevators.

MATERIALS: Extruded aluminum sign face structure with removable face panel.

LETTERING:

- Ⓐ Swiss 721 BT Bold
- Ⓑ N/A

SYMBOLGY: (Refer to Section 2.2.2)

COLORS:

- ① Background: 3M Opaque Film #7725-12 or approved equal (Black)
- ② Text: 3M Opaque Film #220-10 (white)
- ③ Band:
- Terminal A 3M#230/230-127 (Intense Blue)
- Terminal B 3M#230/230-33 (Red)
- Terminal C 3M#230/230-26 (Green)
- Terminal D 3M#220-98 (Dark Violet)
- ④ Symbol: 3M Opaque Film # 220-10 (White)
- ⑤ Letter: N/A
- ⑥ Ruler Line: PMS 425 (Grey)
- ⑦ Side Panel: N/A
- ⑧ Header Text: N/A

GRAPHICS: N/A

ARROWS: N/A

MOUNTING: Wall mount.

ILLUMINATION: Sign will be non-illuminated.

REMARKS: Refer to Section 2.5 for vinyl specifications.

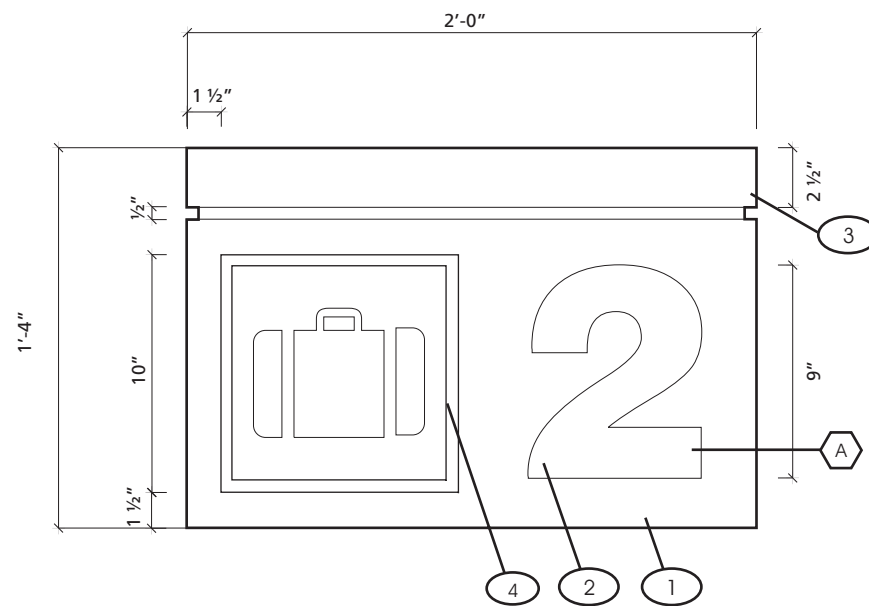
NOTES:

- 1 .125" aluminum panel secured to angle frame.
- 2 1"x1"x.125" aluminum angle frame.
- 3 1"x1"x.125" aluminum mounting bracket.

Identification - Secondary **3.5.2**

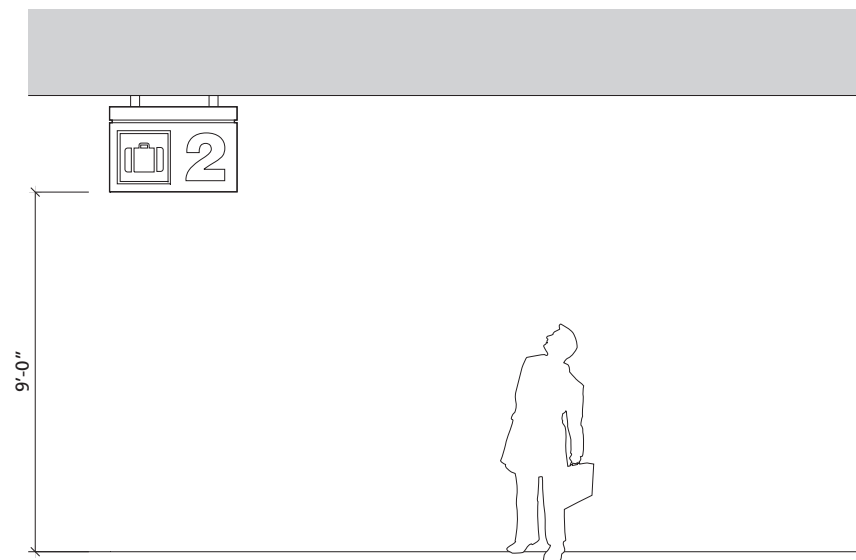


#	Revision	Date



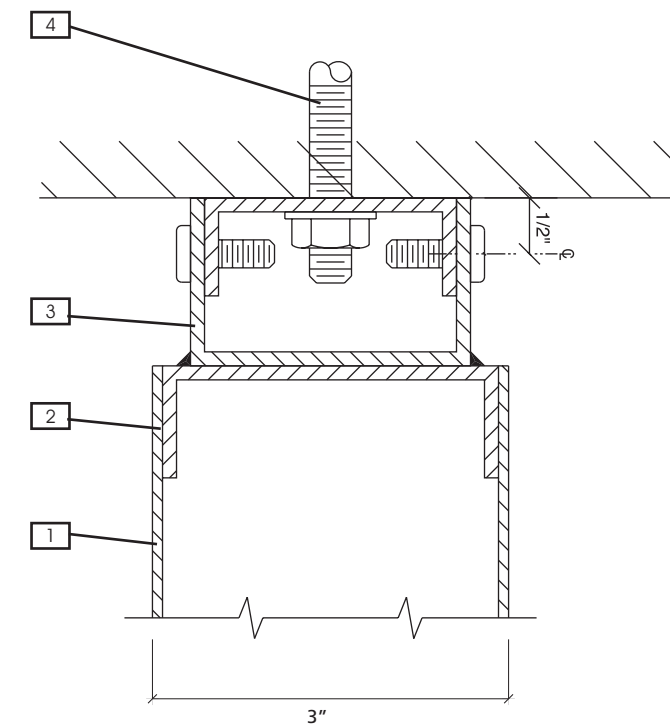
SIGN FACE LAYOUT - OPTION A

Scale: 1 1/2"=1'-0"



ELEVATION

Scale: N.T.S.



DETAIL (For Design Intent Only)

Scale: N.T.S.

Overhead - Identification **ST - 161**

**DESCRIPTION:** Overhead Suspended - Baggage Claim I.D.

**LOCATION:** Used at the carousels when at column is not available.

**MATERIALS:** Extruded aluminum sign face structure with removable face panel.

**LETTERING:**

- Ⓐ Swiss 721 BT Bold
- Ⓑ N/A

**SYMBOLGY:** (Refer to Section 2.2.2)

**COLORS:**

- ① Background: 3M Opaque Film #7725-12 or approved equal (Black)
- ② Text: 3M Opaque Film #220-10 (White)
- ③ Band:
  - Terminal A** 3M#230/230-127 (Intense Blue)
  - Terminal B** 3M#230/230-33 (Red)
  - Terminal C** 3M#230/230-26 (Green)
  - Terminal D** 3M#220-98 (Dark Violet)
- ④ Symbol: 3M Opaque Film # 220-10 (White)
- ⑤ Letter: N/A
- ⑥ Letter box: N/A
- ⑦ Header/Side Panel: N/A
- ⑧ Header Text: N/A

**GRAPHICS:** N/A

**ARROWS:** N/A

**MOUNTING:** Overhead Suspended.

**ILLUMINATION:** Sign will be non-illuminated.

**REMARKS:** Refer to Section 2.5 for vinyl specifications.

**NOTES:**

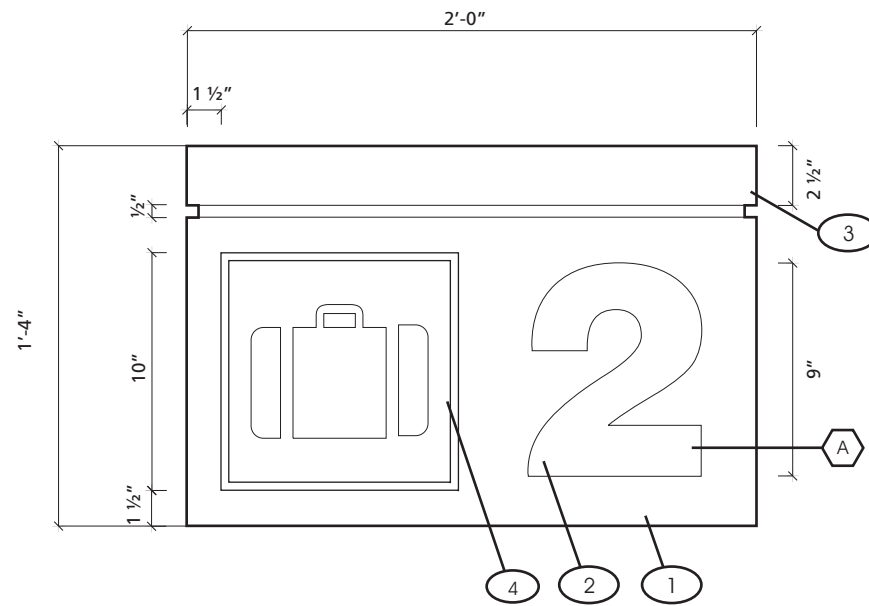
- 1 .090" Aluminum face.
- 2 3"x1"x.125" Aluminum channel frame with mitered and welded corners.
- 3 2 1/2"x1 1/2"x.125" Aluminum channel with capped ends - weld to channel frame.
- 4 3/8" Dia. Mounting stud. (by others).

Identification - Secondary

3.5.2

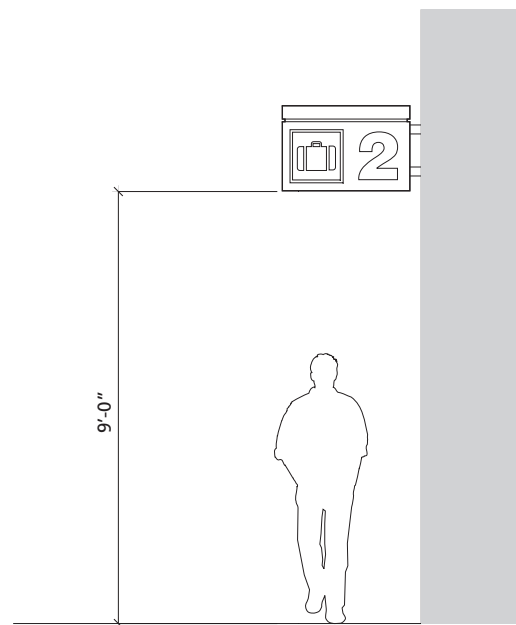


#	Revision	Date



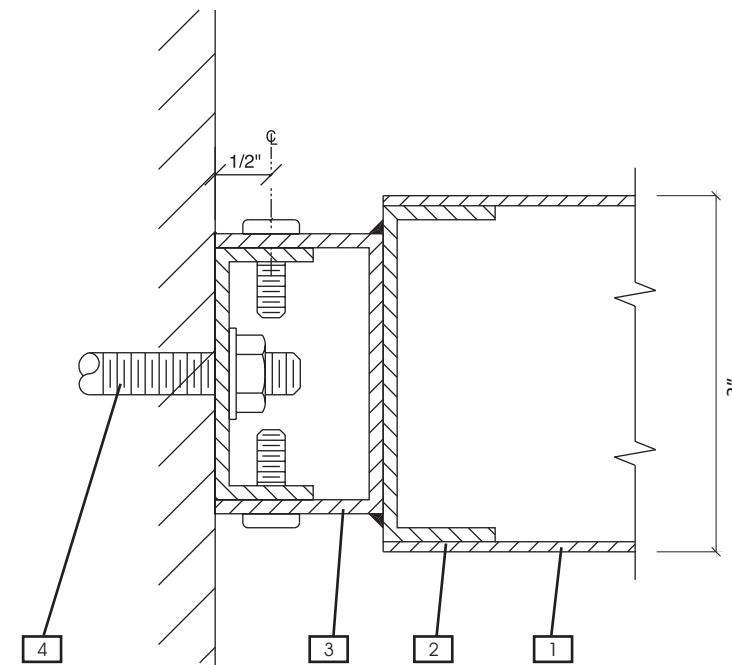
SIGN FACE LAYOUT - OPTION A

Scale: 1 1/2"=1'-0"



ELEVATION

Scale: N.T.S.



DETAIL (For Design Intent Only)

Scale: N.T.S.

**Flag Mount - Identification ST - 162**

**DESCRIPTION:** Flag Mount-Baggage Claim I.D.

**LOCATION:** Used at the columns around the baggage carousels.

**MATERIALS:** Extruded aluminum sign face structure with removable face panel.

**LETTERING:**  
 A Swiss 721 BT Bold  
 B N/A

**SYMBOLGY:** (Refer to Section 2.2.2)

**COLORS:**  
 1 Background: 3M Opaque Film #7725-12 or approved equal (Black)  
 2 Text: 3M Opaque Film #220-10 (White)  
 3 Band:  
     **Terminal A** 3M#230/230-127 (Intense Blue)  
     **Terminal B** 3M#230/230-33 (Red)  
     **Terminal C** 3M#230/230-26 (Green)  
     **Terminal D** 3M#220-98 (Dark Violet)  
 4 Symbol: 3M Opaque Film # 220-10 (White)  
 5 Letter: N/A  
 6 Letter box: N/A  
 7 Header/Side Panel: N/A  
 8 Header Text: N/A

**GRAPHICS:** N/A

**ARROWS:** N/A

**MOUNTING:** Flag Mount.

**ILLUMINATION:** Sign will be non-illuminated.

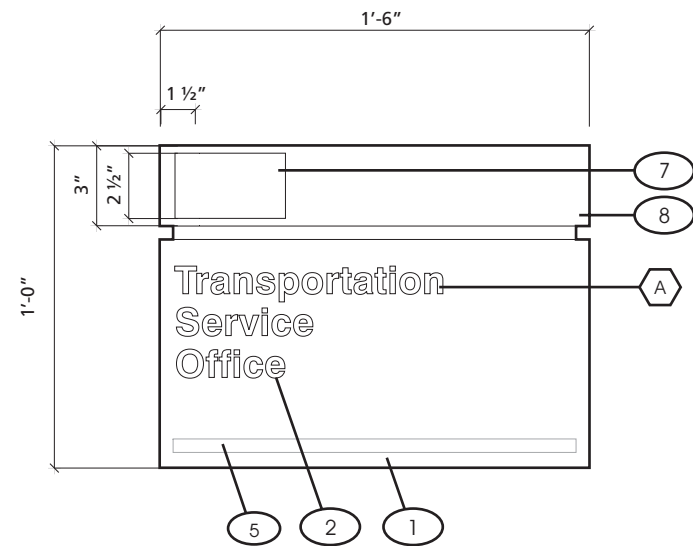
**REMARKS:** Refer to Section 2.5 for vinyl specifications.

**NOTES:**  
 1 .090" Aluminum face.  
 2 3"x1"x.125" Aluminum channel frame with mitered and welded corners.  
 3 2 1/2"x1 1/2"x.125" Aluminum channel with capped ends - weld to channel frame.  
 4 3/8" Dia. Mounting stud. (by others).

**Identification - Secondary 3.5.2**

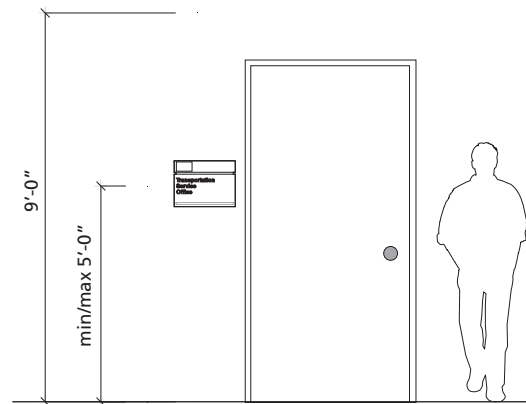


#	Revision	Date



SIGN FACE LAYOUT - OPTION A

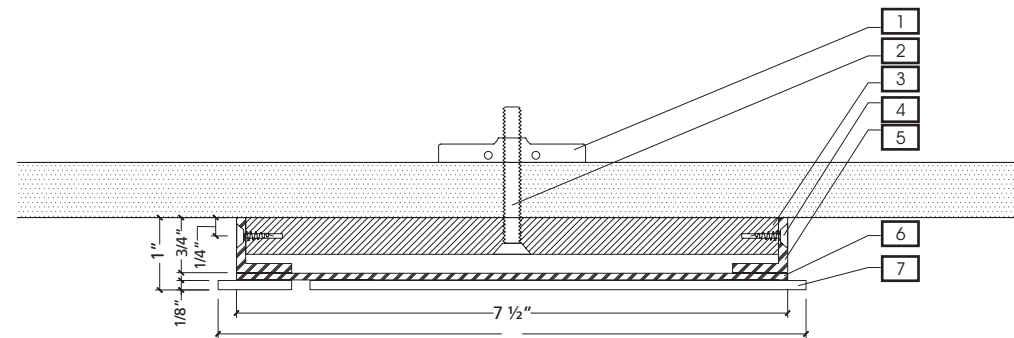
Scale: 1 1/2"=1'-0"



ELEVATION

Scale: N.T.S.

Note: See next page for alternate layouts.



DETAIL - Section A (For Design Intent Only)

Scale: N.T.S.

Wall mount - Identification **ST - 163**

DESCRIPTION: Wall mount - Massport Door ID Plaque

LOCATION: Used at room entrances of Massport Offices

MATERIALS: Extruded aluminum sign face structure with removable face panel.

LETTERING:  
 A Swiss 721 BT Bold  
 B N/A

SYMBOLGY: (Refer to Section 2.2.2)

- COLORS:
- 1 Background: 3M Opaque Film #7725-12 or approved equal (Black)
  - 2 Text: 3M Opaque Film #220-10 (white)
  - 3 Band:
    - Terminal A 3M#230/230-127 (Intense Blue)
    - Terminal B 3M#230/230-33 (Red)
    - Terminal C 3M#230/230-26 (Green)
    - Terminal D 3M#220-98 (Dark Violet)
  - 4 Symbol: 3M Opaque Film # 220-10 (White)
  - 5 Braille: 1/32" thick raised surface letters (white)
  - 6 Ruler Line: PMS 425 (Grey)
  - 7 Logo: Massport Logo to be provided by the client.
  - 8 Header: Brushed Stainless Steel Finish

GRAPHICS: N/A

ARROWS: N/A

MOUNTING: Wall mount.

ILLUMINATION: Sign will be non-illuminated.

REMARKS: Refer to Section 2.5 for vinyl specifications.

NOTES:

- 1 1/4-20 toggler MC 97802A219 (X2)
- 2 1/4-20 X 2" SS FH MS MC 91771A550 (X2)
- 3 1/2" Saw cut PVC for SMS
- 4 #8 X 1/2 SS FH SMS MC 90065A194 (X4)
- 5 3/4" X 3/4" X 1/8" alum angle
- 6 .090 alum face, mounted to alum angle w/ VHB 4930
- 7 1/8" acrylic panel w/ bead brail ptd. To match Black mtd. To alum backer panel w/ permastick

Identification - Secondary **3.5.2**





#	Revision	Date



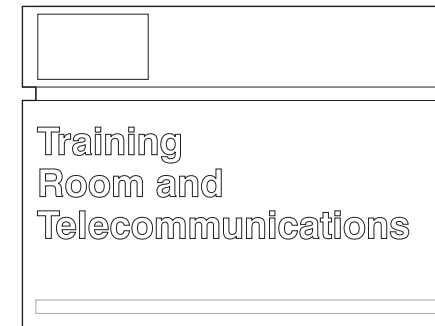
SIGN FACE LAYOUT - OPTION B

Scale: 1 1/2"=1'-0"



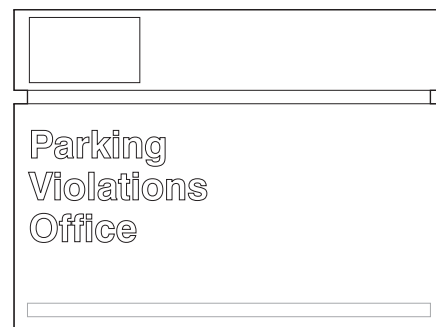
SIGN FACE LAYOUT - OPTION C

Scale: 1 1/2"=1'-0"



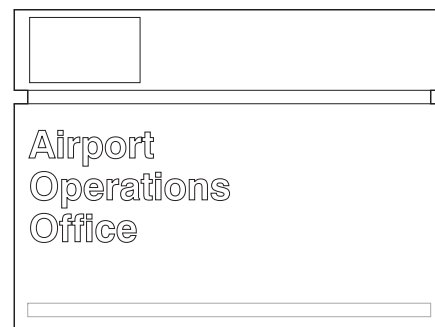
SIGN FACE LAYOUT - OPTION D

Scale: 1 1/2"=1'-0"



SIGN FACE LAYOUT - OPTION E

Scale: 1 1/2"=1'-0"



SIGN FACE LAYOUT - OPTION F

Scale: 1 1/2"=1'-0"

**Wall mount - Identification ST - 163**

**DESCRIPTION:** Wall mount - Massport Door ID Plaque

**LOCATION:** Used at room entrances of Massport Offices

**MATERIALS:** Extruded aluminum sign face structure with removable face panel.

**LETTERING:**

- Ⓐ Swiss 721 BT Bold
- Ⓑ N/A

**SYMBOLGY:** (Refer to Section 2.2.2)

**COLORS:**

- ① Background: 3M Opaque Film #7725-12 or approved equal (Black)
- ② Text: 3M Opaque Film #220-10 (white)
- ③ Band:
  - Terminal A** 3M#230/230-127 (Intense Blue)
  - Terminal B** 3M#230/230-33 (Red)
  - Terminal C** 3M#230/230-26 (Green)
  - Terminal D** 3M#220-98 (Dark Violet)
- ④ Symbol: 3M Opaque Film # 220-10 (White)
- ⑤ Braille: 1/32" thick raised surface letters (white)
- ⑥ Ruler Line: PMS 425 (Grey)
- ⑦ Logo: Massport Logo to be provided by the client.
- ⑧ Header Text: N/A

**GRAPHICS:** N/A

**ARROWS:** N/A

**MOUNTING:** Wall mount.

**ILLUMINATION:** Sign will be non-illuminated.

**REMARKS:** Refer to Section 2.5 for vinyl specifications.

**NOTES:**

- 1/4- 20 toggler MC 97802A219 (X2)
- ② 1/4- 20 X 2" SS FH MS MC 91771A550 (X2)
- ③ 1/2" Saw cut PVC for SMS
- ④ #8 X 1/2 SS FH SMS MC 90065A194 (X4)
- ⑤ 3/4" X 3/4" X 1/8" alum angle
- ⑥ .090 alum face, mounted to alum angle w/ VHB 4930
- ⑦ 1/8" acrylic panel w/ bead brail ptd. To match Black mtd. To alum backer panel w/ permastick

**Identification - Secondary 3.5.2**



#	Revision	Date



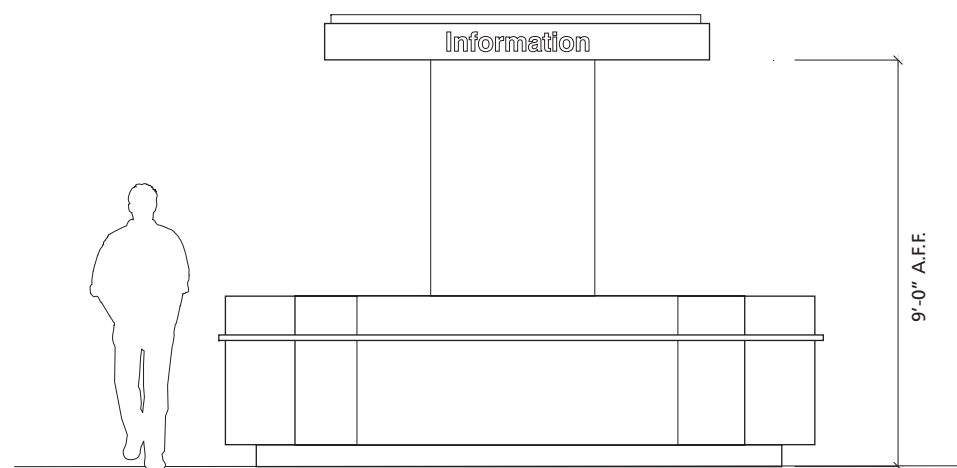
SIGN FACE LAYOUT - OPTION A

Scale: 1 1/2"=1'-0"



SIGN FACE LAYOUT - OPTION B

Scale: 1 1/2"=1'-0"



ELEVATION

Scale: N.T.S.

Identification

ST - 164

DESCRIPTION: Information Booth Header

LOCATION: Used at Information Booths

MATERIALS: Laser cut dimensional letters.

LETTERING:

- Ⓐ Swiss 721 BT Bold
- Ⓑ N/A

SYMBOLGY: (Refer to Section 2.2.2)

COLORS:

- ① Background: Perforated Metal Panel
- ② Text: Laser-cut dimensional letters, stainless steel satin no. 4 face finish with water jet sides.
- ③ Band:
  - Terminal A 3M#230/230-127 (Intense Blue)
  - Terminal B 3M#230/230-33 (Red)
  - Terminal C 3M#230/230-26 (Green)
  - Terminal D 3M#220-98 (Dark Violet)
- ④ Symbol: N/A
- ⑤ Text: N/A
- ⑥ Ruler Line: N/A
- ⑦ Side Panel: N/A
- ⑧ Header Text: N/A

GRAPHICS: N/A

ARROWS: N/A

MOUNTING: N/A

ILLUMINATION: Sign will be non-illuminated.

REMARKS: Refer to Section 2.5 for vinyl specifications.

Identification - Secondary

3.5.2

